

EXPORT



# PARTS CATALOGUE

**TVS**  
**KING**  
**DELUXE**

**TVS**  
**KING**  
**DELUXE PLUS**



**TVS**  
**KING**  
**DELUXE**

**TVS**  
**KING**  
**DELUXE PLUS**

## PARTS CATALOGUE

APPLICABLE FOR TVS KING 4 STROKE MODELS AND VARIANTS



## **NOTICE**

The description and illustrations in this booklet are not to be taken as binding on the manufacturers. The essential features of the type described and illustrated herein remains unaltered, **TVS MOTOR COMPANY LIMITED**, reserves the right to carry out any moment without being obliged to bring this booklet up-date modifications, on the vehicle, parts or accessories, as may be convenient and necessary.

Copying, quoting or reproducing any part of this catalogue without the written permission of **TVS MOTOR COMPANY LIMITED**, is expressly prohibited.



## **FOREWORD**

We have great pleasure in releasing the third edition of TVS King Parts Catalogue. This parts catalogue is applicable for the 4 stroke models & following variants.

**TVS KING GS**

**TVS KING LS**

**TVS KING ZS**

**TVS KING ARJUN**

This catalogue is designed to assist you to select the right parts for ordering.

TVS Genuine parts have a rigorous standard of quality check at various stages. So it becomes important to use only TVS-Genuine parts. Due to continues efforts in improving the performance and efficiency of the vehicle, design, specifications, diagram/illustrations and part numbers can change without any notice. It is your responsibility to get your parts catalogue updated through the information given to you from TVS Motor.

While ordering spare parts ensure that correct part numbers, part description and quality are clearly mentioned.

Please note that drawings and the illustrations are for ready reference of spare part numbers and description only. It is not designed to be used as an assembly or servicing reference manual. For servicing please use "TVSM 3 WHEELER SERVICE MANUAL".

This parts catalogue is exclusively for "TVS MOTOR COMPANY'S Authorised Distributor or Dealer / Authorised Service Centers and Parts Stockist".

In case of any assistance, please contact/ write to us.

**TVS MOTOR COMPANY LIMITED**  
Spare Parts Department - 3W Domestic / International Business  
Post Box No.4, Harita, Hosur - 635 109  
Krishnagiri District, Tamil Nadu  
Tel.: 04344 - 276780

## INSTRUCTIONS FOR USING THE CATALOGUE

1. How to read the catalogue: Open the catalogue and from the figure index locate the group in which the part you want to find is present. Turn over the concerned page number (as given by figure index). Now find out the figure number from the text.

In case, if you have the part number and you need the other details, the part index can be used. The part index (at the end of the catalogue) will give you the figure and page number of the part you wish to order.

2. How to order spare parts: The part number and the description of the part required should be invariably mentioned in the order as per the catalogue text.

The latest part number as conveyed through our circulars should be appear on the order. In case of ordering coloured components, colour code of the components should be mentioned.

The quantity shown against the part number is the quantity per vehicle.

3. Model Code System:

### **Model Code**

A - COMMON FOR 2 STROKE & 4 STROKE

4S - ONLY 4 STROKE

### **Variant Code**

P - PETROL

L - LPG

C - CNG

I-ISG

A - ALL VARIANTS

EXP - ONLY EXPORT

# TABLE OF CONTENTS

<b>Sl.No</b>	<b>Description</b>	<b>Page No.</b>
01	COLOUR WISE PARTS DETAILS	1
02	SPARE PARTS KIT DETAILS	3
03	VEHICLE STICKERS & SPECIAL TOOLS	9
04	STANDARD ACCESSORIES DETAILS	10
05	FIGURE INDEX	11
06	CRANK CASE ASSEMBLY	14
07	COVER CLUTCH ASSEMBLY	18
08	CYLINDER BLOCK & PISTON ASSEMBLY	22
09	CYLINDER HEAD ASSEMBLY	24
10	GEAR BOX ASSEMBLY	28
11	GEAR SHIFTER MECHANISM	30
12	DIFFERENTIAL ASSEMBLY	32
13	INDUCTION SYSTEM	34
14	INDUCTION SYSTEM - BSIV	36
15	CARBURETOR ASSEMBLY	40
16	MUFFLER ASSEMBLY	44
17	FUEL AND OIL TANK ASSEMBLY	46

# TABLE OF CONTENTS

<b>Sl.No</b>	<b>Description</b>	<b>Page No.</b>
18	FUEL TANK & CANISTER SYSTEM - BSIV	48
19	HANDLE BAR ASSEMBLY	50
20	FRONT FORK ASSEMBLY	52
21	DASH BOARD ASSEMBLY	56
22	HAND STARTER & PARKING BRAKE MECHANISM	58
23	TRANSMISSION & CONTROL UNITS	60
24	FRONT WHEEL & SPEEDO UNIT	64
25	REAR WHEEL ASSEMBLY	66
26	HYDRAULIC BRAKE SYSTEM	68
27	CHASSIS & SOFT TOP ASSEMBLY	70
28	PASSENGER BODY & ELECTRICALS	72
29	LIGHTING SYSTEM & WINDSHIELD ASSEMBLY	76
30	SEAT ASSEMBLY	80
31	REDUCER SYSTEM LPG (15 & 20 LTR) / CNG (4S) (VANA Z)	84
32	LPG FUEL SYSTEM 15 & 20 LTR (4S) (VANA Z)	86
33	CNG FUEL SYSTEM 28 & 33 LTR (4S)	88
34	PART NUMBER INDEX	92

## COLOUR WISE PARTS DETAILS

### PASSENGER CABIN

PART NO.	DESCRIPTION	Q/VH	MODEL**	VARIANT*
G52214905R	Cabin Assy LPG/CNG – Golden Yellow	1	A	A
G42200708L	Cabin Assy LPG/CNG Single Mode – Green	1	A	LSM
G52214908L	Cabin Assy LPG/CNG – Eco green	1	A	A
G5221490M	Cabin Assy LPG/CNG – Neptune blue	1	A	A

### FRONT FENDOR

PART NO.	DESCRIPTION	Q/VH	MODEL**	VARIANT*
G52229105R	Fender Front – Yellow	1	A	A
G42210908L	Fender Front – Eco green	1	A	A
G4221090M	Fender Front – Nep blue	1	A	A
G42210903D	Fender Front – RIK BLACK	1	A	A
G42210903F	Fender Front – Weco white	1	A	A

### WINDSHIELD ASSEMBLY

PART NO.	DESCRIPTION	Q/VH	MODEL**	VARIANT*
G52226505R	Windshield Assy + Sticker – Golden Yellow	1	A	A
G52226508L	Windshield Assy + Sticker – Eco Green	1	A	A
G5222650M	Windshield Assy + Sticker – Neptune blue	1	A	A
G52226503D	Windshield Assy + Sticker – Black	1	A	A
G52226503F	Windshield Assy + Sticker – white	1	A	A

### WINDSHIELD FRAME

PART NO.	DESCRIPTION	Q/VH	MODEL**	VARIANT*
G52200105R	Windshield Assy Frame-Golden Yellow	1	A	A
G52200108L	Windshield Assy Frame– Eco green	1	A	A
G5220010M	Windshield Assy Frame– Neptune blue	1	A	A
G52200103D	Windshield Assy Frame– Black	1	A	A
G52200103F	Windshield Assy Frame – white	1	A	A

### TAIL DOOR ASSEMBLY

PART NO.	DESCRIPTION	Q/VH	MODEL**	VARIANT*
G42210805R	Tail Door Assy Mesh Type – Rikshaw Black	1	A	A
G42210803D	TAIL DOOR COMP RIK BLACK	1	A	A
G42210803F	TAIL DOOR COMP WEGO WH	1	A	A
G42210808L	TAIL DOOR COMP ECO GREEN	1	A	A
G4221080M	TAIL DOOR COMP NEP BLUE	1	A	A

### CANVAS SOFT TOP KIT

PART NO.	DESCRIPTION	Q/VH	MODEL**	VARIANT*
G52225005R	Canvas Soft Top – Yellow	1	A	A
G51220507H	Canvas Soft Top – Brown	1	A	A
G51220508L	Canvas Soft Top – Green	1	A	A
G51220501F	Canvas Soft Top – WHITE	1	A	A
G51220503D	Canvas Soft Top – Black	1	A	A

\*\*A-Common 2 & 4 stroke models, 4S -Only 4 stroke ,NS-Not serviceable, ALT/AT-Alternate number

\* A - All Variants, P - Petrol ES, L - LPG, C - CNG, LSM - LPG Single Mode, EXP - Export Only

## COLOUR WISE PARTS DETAILS

### CHASSIS ASSEMBLY

PART NO.	DESCRIPTION	Q/VH	MODEL**	VARIANT*
G51239705R	Chassis Assy LPG – Golden Yellow 15 Ltr BSIII	1	A	L
G51239605R	Chassis Assy ES – Golden Yellow BSIII & BSIV	1	A	P
G51239805R	Chassis Assy CNG – Golden Yellow BSIII 28 ltr	1	A	C
G41206805R	Chassis Assy CNG – Golden Yellow BSIII & BSIV 33 ltr	1	A	C
G41207195R	Chassis Assy LPG – Golden Yellow BSIII & BSIV	1	A	L/C
G41207195R	Chassis Assy CNG – Golden Yellow BSIV	1	A	L/C
G51243895R	Chassis Assy CNG – Golden Yellow BSIV	1	A	L/C
G51243898L	Chassis Assy– Es Eco Green	1	A	L/C
G5124389M	Chassis Assy Comp ES Nep Blue	1	A	L/C
G41235093D	Chassis Assy Petrol- LC Rik Black	1	A	P

5R - Golden yellow, 3D- Black, 8L-Eco Green, 3F - White, M - Neptune Blue, 5G - Brown red

COLOUR CODES	
Part number end with '3F'	- White
Part number end with '5G'	- Brown Red
Part number end with '8L'	- Eco Green
Part number end with '5R'	- Golden Yellow
Part number end with '3D'	- Black
Part number end with 'M'	- Neptune Blue
Part number end with '7H'	- Brown

### LID COMPLETE FUEL TANK

PART NO.	DESCRIPTION	Q/VH	MODEL**	VARIANT*
G52206503D	Lid Comp Fuel Tank – Black	1	A	A
G52206508L	Lid Comp Fuel Tank – Green	1	A	A
G52206503F	Lid Comp Fuel Tank – Wego White	1	A	A
G52206505R	Lid Comp Fuel Tank – Yellow	1	A	A
G5220650M	LID COMP FUEL TANK NEP BLUE	1	A	A



## SPARE PARTS KIT DETAILS

REF NO.	PART NO.	DESCRIPTION	Q/VH	MODEL**	VARIANT*	REF NO.	PART NO.	DESCRIPTION	Q/VH	MODEL**	VARIANT*
1	G5320520	Kit Rear Trailing Arm RH	1	A	A	7	G5320500	Steering Cone Kit Top - Modified	1	A	A
	G2090060	Silent Block	2	A	A		G4150170	Outer Race Top Modified			
	G5090010	Spacer Rear Trailing Arm	1	A	A		G2150110	Ball Race Assy Lower	1	A	A
	G2090300	Trailing Arm RH					G4100040	Inner Race Top - Modified	1	A	A
2	G5320530	Rear Trailing Arm LH	1	A	A	8	G5320510	Steering Cone Kit Bottom	1	A	A
	G2090060	Silent Block Rear Trailing Arm	1	A	A		G2150620	Outer Race Bottom	1	A	A
	G5090010	Spacer Rear Trailing Arm	1	A	A		G2150110	Ball Race Assy Lower	1	A	A
	G2090310	Trailing Arm LH					G2150080	Inner Race Bottom	1	A	A
3	G5321210	Clutch Cable Inner Kit	1	A	A		G2150070	Dust Cover Inner	1	A	A
	G5320150	Cable Inner Clutch	1	A	A	9	G2112190	Major Kit – Wheel Cylinder Kit	1	A	A
	G5320680	Brkt Clutch Cable Inner	1	A	A			Piston	2	A	A
	G5320160	Pinch Bolt – Hole 3 Mm	1	A	A			Wheel Cylinder Seal	2	A	A
4	G5321200	Gear Cable Inner Kit	1	A	A			Spring	1	A	A
	G5320170	Cable Inner Gear Shift	1	A	A			Spring Holder	2	A	A
	G5320160	Pinch Bolt – Hole 3 mm	1	A	A			Breather Screw	1	A	A
5	G2100190	Front Trailing Arm Kit	1	A	A	10	G2112200	Minor Kit – Wheel Cylinder Kit - Old	1	A	A
	G2100200	Silent Block	1	A	A		G2110250	Wheel Cylinder Seal	2	A	A
	G2100210	Trail up arm Front	1	A	A		G2110260	Spring	1	A	A
6	G5320470	Pivot Pin Front Kit	1	A	A		G2110270	Spring Holder	2	A	A
	G2100170	Pivot Pin Front	1	A	A	11	G4322050	Minor Kit – Wheel Cylinder Kit - New	1	A	A
	G2200570	Needle Bearing 20X26X12	2	A	A			Seal	2	A	A
	G2200660	Internal Circlip	2	A	A			Dust Cover	2	A	A
	G5100030	Dust Seal	2	A	A			Dust Cap	1	A	A
	G5100010	O Ring 31.6X3	2	A	A	12	G5160930	Starter Relay Assy	1	A	A

\*\*A-Common 2 & 4 stroke models, 4S -Only 4 stroke ,NS-Not serviceable, ALT/AT-Alternate number

03

\*A - All Variants, P - Petrol ES, L - LPG, C - CNG, LSM - LPG Single Mode, EXP - Export Only

## SPARE PARTS KIT DETAILS

REF NO.	PART NO.	DESCRIPTION	Q/VH	MODEL**	VARIANT*	REF NO.	PART NO.	DESCRIPTION	Q/VH	MODEL**	VARIANT*
	G3160730	Cord Set, Starter Motor	1	A	A		G5320100	Seal Gland (Cup, Piston Pressure)	2	A	A
	G5160760	Cord Set, Starter Relay	1	A	A		G5320140	Seal Gland (Cup, Piston Pressure)	1	A	A
	R2160100	Starter Relay Sub Assy	2	A	A	15	G4322430	Major Kit (TMC) - New	1	A	A
	R3160090	Boot Starter Relay	2	A	A			Plunger Assembly, Primary	1	A	A
13	G5320010	Major Kit (TMC) - Old	1	A	A			Plunger Assembly, Secondary	1	A	A
	G5320030	Plunger Assembly, Primary	1	A	A			Circlip	1	A	A
	G5320040	Cup, Spacer (Shim Seal)	1	A	A		G5320550	Dust Bellow	1	A	A
	G5320050	Retainer (Spring, Seat)	1	A	A		G5320540	Clip Dust Bellow	1	A	A
	G5320060	"O" Ring Gasket	1	A	A		G5320140	Seal Gland	1	A	A
	G5320070	Circlip (Piston Stopper)	1	A	A		G5320110	Seal Rec Dia. 19.05	1	A	A
	G5320080	Dust Cover ( Boot ,M/Cyl)	1	A	A	16	G4322420	Minor Kit (TMC) - New	1	A	A
	G5320090	"O" Ring	2	A	A			Circlip	1	A	A
	G5320100	Seal Gland (Cup, Piston Pressure)	2	A	A		G5320550	Dust Bellow	1	A	A
	G5320110	Seal Rec Dia. 19.05 (Cup Piston)	1	A	A		G5320540	Clip Dust Bellow	1	A	A
	G5320120	Washer	4	A	A		G5320110	Seal Rec Dia. 19.05	2	A	A
14	G5320020	Minor Kit (TMC) - Old	1	A	A		G5320140	Seal Gland	1	A	A
	G5320040	Cup, Spacer (Shim Seal)	1	A	A		G5320100	Seal Gland	1	A	A
	G5320050	Retainer (Spring, Seat)	1	A	A	17	G2320570	Slider Block Kit	1	A	A
	G5320130	"O" Ring Gasket	1	A	A		G2080030	Pin, Propeller Shaft	1	A	A
	G5320060	"O" Ring Gasket	1	A	A		G2080040	Slider Block, Propeller Shaft Assy	2	A	A
	G5320070	Circlip (Piston Stopper)	1	A	A	18	G4300050	Floor Mat Kit – Petrol	1	A	A
	G5320080	Dust Cover ( Boot ,M/Cyl)	1	A	A		G5300170	Mat LH Driver Cabin	1	A	A
	G5320090	"O" Ring	2	A	A		G5300180	Mat RH Driver Cabin	1	A	A
	G5320110	Seal Rec Dia. 19.05 (Cup Piston)	1	A	A		G5300190	Mat Passenger Cabin	1	A	A

\*\*A-Common 2 & 4 stroke models, 4S -Only 4 stroke ,NS-Not serviceable, ALT/AT-Alternate number

04

\* A - All Variants, P - Petrol ES, L - LPG, C - CNG, LSM - LPG Single Mode, EXP - Export Only

## SPARE PARTS KIT DETAILS

REF NO.	PART NO.	DESCRIPTION	Q/VH	MODEL**	VARIANT*	REF NO.	PART NO.	DESCRIPTION	Q/VH	MODEL**	VARIANT*
19	G4300060	Floor Mat Kit – LPG/CNG	1	A	A		G2200440	Ball Bearing 20X42X12	1	A	A
	G5300200	Mat LH Driver Cabin	1	A	A	25	G4320820	Kit Rear Wheel Bearing	1	A	A
	G5300210	Mat RH Driver Cabin	1	A	A		G2200680	Needle Bearing 35X43X24	2	A	A
	G5300190	Mat Passenger Cabin	1	A	A		G2200440	Ball Bearing 20X42X12	2	A	A
20	G4320760	Kit Buffer Rubber	1	A	A	26	G4320880	Kit Diaphragm LPG	1	A	A
	G5080320	Buffer Rubber, Propeller Shaft Wheel Side	2	A	A		G5140820	JC M4X6 Screw, Reducer LPG	6	A	A
	G2080050	Buffer Rubber, Propeller Shaft Engine End	2	A	A		G5140860	Vaccum Stage Spring ( L )	1	A	A
21	G5321130	Kit Parking Brake	1	A	A		G5140870	Idle Register Spring Minirid Reducer ( L )	1	A	A
	G2110770	Ratchet Parking Brake	2	A	A		G5140920	2Nd Stage Diaphragm Minirid ( L )	1	A	A
	330048	Split Pin	2	A	A		G5140940	Vaccum Diaphragm Minirid ( L )	1	A	A
	G2110940	Pin	1	A	A	27	G4320890	Kit Fare Meter Worm	1	A	A
	G5170070	Parking Brake Cable Assembly	1	A	A		G2081659	Worm Fare Meter	1	A	A
22	G4110070	Brake Shoe Set	1	A	A		G2080740	Shaft Comp Fare Meter Drive	1	A	A
	G2110320	Brake Shoe Comp	2	A	A	28	G4300020	Kit, Seatbelt	1	A	A
	G2110330	Spring, Brake Shoe Return	1	A	A	29	G4300010	Kit, Headrest	1	A	A
	G2111860	Spring, Brake Shoe Return Top	1	A	A		G4300010	Headrest Driver	1	A	A
23	G4320800	Kit Front Fork Seal	1	A	A		G4300090	Backrest Driver	1	A	A
	G5100030	Dust Seal, Front Trailing Arm	2	A	A		G4300120	Headrest Passenger	2	A	A
	G5200550	Dust Seal, Ball Bearing Side	2	A	A		G4300100	Backrest Passenger	1	A	A
	G5200560	Dust Seal, Needle Bearing Side	2	A	A		G4300130	Clamp Headrest	8	A	A
	P1200050	Wave Spring Washer A5.5 Zng	20	A	A		P1200060	Hex Nut M6 Zng	20	A	A
24	G4320810	Kit Front Fork Bearing	1	A	A		P1200050	Circlip 17X1.0 Piston Pin	2	4S	A
	G2200680	Needle Bearing 35X43X24	1	A	A	30	G4300040	Kit, Guard Step Thru	1	A	A
	G2200570	Needle Bearing 20X26X12	2	A	A		G4300030	Guard Step Thru	1	A	A

\*\*A-Common 2 & 4 stroke models, 4S -Only 4 stroke ,NS-Not serviceable, ALT/AT-Alternate number

05

\* A - All Variants, P - Petrol ES, L - LPG, C - CNG, LSM - LPG Single Mode, EXP - Export Only

## SPARE PARTS KIT DETAILS

REF NO.	PART NO.	DESCRIPTION	Q/VH	MODEL**	VARIANT*	REF NO.	PART NO.	DESCRIPTION	Q/VH	MODEL**	VARIANT*
	N9121700	Cushion RC Lamp	5	A	A		G4011430	Cylinder Comp 4S (Export)	1	4S	A
	K200320	Crr Pan Hd Tap Scr St4.2X16 Znk	6	A	A		G4020110	Piston Assy Dia 62.00	1	4S	A
	P1200140	Punched Washer A5.5 Zng	6	A	A		G4020090	Piston Pin 4S	1	4S	A
31	G5321230	Kit 8 Litre Fuel Tank	1	A	P		M1010440	Circlip 17 x 1.0 Piston Pin	2	4S	A
	G5141760	Fuel Tank Assy 8 Lit	1	A	P	38	G4320330	Piston Kit 4S Std	1	4S	A
	R1200180	Hex Fl Bolt M6X60	1	A	P		G4020110	PISTON ASSY DIA 62.00	1	4S	A
	G5140620	Bush, Fuel Tank	1	A	P		G4020090	Piston Pin 4S	1	4S	A
	G5140460	Bracket, Fuel Tank	2	A	P		M1010440	Circlip 17X1.0 Piston Pin	2	4S	A
	G4160290	Fuel Warning Switch 8 Lits	1	A	P	39	G4321730	Kit Auto Chain Tensioner	1	4S	A
32	G3320050	Bevel Satellite Gear Kit	1	A	A		G4080600	Spring Chain Tensioner	1	4S	A
	G2081410	Satellite Gear, Differential	1	A	A		G4030080	Gasket Cover Crank Case-R	1	4S	A
	G2080400	Bevel Gear, Differential	1	A	A		G4080550	Chain Guide	1	4S	A
33	G4180020	Engine Assy 4S Petrol BSIII RP	1	4S	P		K3010640	Bolt Chain Tensioner (RC)	1	4S	A
34	G4180840	Engine Assy 4S CNG BSIII RP	1	4S	C	40	G4320640	Piston Ring Set -4S	1	4S	A
35	G4180620	Engine Assy 4S LPG BSIII RP	1	4S	L		M7020340	Ring Piston Top 4S	1	4S	A
36	G4180890	Engine Assy 4S LPG Single Mode BSIII RP	1	4S	LSM		G4020100	Piston Ring 2Nd 62.00	1	4S	A
37	G4320320	Cyl Block & Piston Kit 4S BSIV	1	4S	A		M7020360	3 Piece Oil Ring	1	4S	A
	G4010170	Cylinder Block Comp NP 49, 4S	1	4S	A	41	G4320650	Piston Ring Set 1st O/S 4S	1	4S	A
	G4020110	Piston Assy. Dia 62	1	4S	A		M7321820	Ring Piston Top I O/S	1	4S	A
	G4020090	Piston Pin 15 45.0	1	4S	A		G4320190	Ring Piston 2Nd I O/S	1	4S	A
	M7321830	Ring Piston Top II O/S	1	4S	A		M7321860	3 Piece Oil Ring I O/S	1	4S	A
	G4320200	Ring Piston 2Nd II O/S	1	4S	A	42	G4320660	Piston Ring Set 2nd O/S 4S	1	4S	A
	M7321870	3 Piece Oil Ring II O/S	1	4S	A	43	G4320670	Piston Kit 1st O/S 4S	1	4S	A
37A	G4321750	Cylinder Block & Piston Kit (Export)	1	4S	A		G4320230	Piston Dia 62 I O/S	1	4S	A

\*\*A-Common 2 & 4 stroke models, 4S -Only 4 stroke, NS-Not serviceable, ALT/AT-Alternate number

06

\*A - All Variants, P - Petrol ES, L - LPG, C - CNG, LSM - LPG Single Mode, EXP - Export Only

## SPARE PARTS KIT DETAILS

REF NO.	PART NO.	DESCRIPTION	Q/VH	MODEL**	VARIANT*	REF NO.	PART NO.	DESCRIPTION	Q/VH	MODEL**	VARIANT*
	M7321820	Ring Piston Top I O/S	1	4S	A		G2200330	Oil Seal Crankshaft R	1	4S	A
	G4320190	Ring Piston 2Nd I O/S	1	4S	A	48	G4320710	Kit Major Gasket Engine-4S	1	4S	A
	M7321860	3 Piece Oil Ring I O/S	1	4S	A		G4030080	Gasket Cover Crank Case R	1	4S	A
	G4020090	Piston Pin 4S	1	4S	A		G4030070	Gasket Crank Case	1	4S	A
	M1010440	Circlip 17x1.0 Piston Pin	2	4S	A		M7010210	Gasket Cylinder Head	1	4S	A
44	G4320680	Piston Kit 2nd O/S 4S	1	4S	A		G4010070	Gasket Cylinder	1	4S	A
	G4320240	Piston Dia 62 II O/S	1	4S	A		M1010510	Gasket Tensioner Adjuster	1	4S	A
	M7321830	Ring Piston Top I O/S	1	4S	A		M1010360	Gasket Cylinder Head Nut	4	4S	A
	G4320200	Ring Piston 2Nd I O/S	1	4S	A		N9053170	Gasket Exhaust Cylinder Block	1	4S	A
	M7321870	3 Piece Oil Ring I O/S	1	4S	A	49	G4320720	Kit Minor Gasket Engine-4S	1	4S	A
	G4020090	Piston Pin 4S	1	4S	A		M7010210	Gasket Cylinder Head	1	4S	A
	M1010440	Circlip 17x1.0 Piston Pin	2	4S	A		G4010070	Gasket Cylinder	1	4S	A
45	G4320690	Set Plate Clutch -4S	1	4S	A		M1010510	Gasket Tensioner Adjuster	1	4S	A
	G4070270	Plate Clutch Drive - Type A	3	4S	A		M1010360	Gasket Cylinder Head Nut	4	4S	A
	G4070280	Plate Clutch Drive - Type C	1	4S	A		N9053170	Gasket Exhaust Cylinder Block	1	4S	A
	G4070290	Plate Clutch Drive - Judder Type B	1	4S	A	50	G4320730	O Ring Kit Engine-4S	1	4S	A
46	G4320740	Kit Oil Filter O Ring-4S	1	4S	A		M1010390	O Ring 29.5 X 3	2	4S	A
	M1080600	O Ring 52.6x2.4 [M1010390]	1	4S	A		R1040430	O Ring Pipe Intake	1	4S	A
	G4200010	O Ring Cover Oil Strainer	1	4S	A		G2200550	O Ring Neutral Switch	1	4S	A
47	G4321270	Kit Engine Oil Seal-4S	1	4S	A	51	G4210110	Tool Kit Set - 4S	1	4S	A
	N2081720	Oil Seal Gear Shift Shaft	1	4S	A	52	G4320750	Kit Crankshaft Bearing-4S	1	4S	A
	G2200340	Oil Seal Drive Shaft	1	4S	A		M7200530	Ball Bearing 35 x 72 x17 C3 6207	1	4S	A
	G2200350	Oil Seal Kick Starter Shaft	1	4S	A		G2201130	Ball Bearing 6206	1	4S	A
	G2200320	Oil Seal Crankshaft L	1	4S	A		N2200400	Ball Bearing 12 x 28 x 8	1	4S	A

\*\*A-Common 2 & 4 stroke models, 4S -Only 4 stroke ,NS-Not serviceable, ALT/AT-Alternate number

07

\* A - All Variants, P - Petrol ES, L - LPG, C - CNG, LSM - LPG Single Mode, EXP - Export Only

## SPARE PARTS KIT DETAILS

REF NO.	PART NO.	DESCRIPTION	Q/VH	MODEL **	VARIANT *	REF NO.	PART NO.	DESCRIPTION	Q/VH	MODEL **	VARIANT *
53	G4320770	Kit Timing Chain Repair-4S	1	4S	A		G4030070	Gasket Crank Case	1	4S	A
	M1010210	Sprocket Camshaft	1	4S	A		M7010210	Gasket Cylinder Head	1	4S	A
	G4010060	Guide Camchain	1	4S	A		G4010070	Gasket Cylinder Block	1	4S	A
	G4010050	Tensioner Camchain	1	4S	A		M1010510	Gasket Tensioner Adjuster	1	4S	A
	G4010140	Cam Chain	1	4S	A		M1010360	Gasket Cylinder Head Nut	4	4S	A
54	G4320780	Engine Valve Kit-4S	1	4S	A		N9053170	Gasket Exhaust Cylinder Block	1	4S	A
	M7010270	Valve Intake	1	4S	A		N4011100	Valve Stem Oil Seal	2	4S	A
	M7010280	Valve Exhaust	1	4S	A		P200150	Circlip Reverse Lock Arm	1	4S	A
	N4011100	Valve Stem Oil Seal	2	4S	A	57	G4320840	Kit Cylinder Head Bolt-4S	1	4S	A
55	G4320790	Kit Gear Shifting-4S	1	4S	A		M1200010	Hex Flange Bolt M6x55	4	4S	A
	G3080070	Index Star	1	4S	A		M1010350	Gasket Cyl Head Cover Bolt	4	4S	A
	G2082380	Pin, Index Star	2	4S	A		M1200600	Hex Flange Bolt M6x45	2	4S	A
	G2082110	Stopper Comp, Gear Shift	1	4S	A		M1200590	Hex Flange Bolt M6x35	4	4S	A
	G3200240	Disc, Spring	1	4S	A	58	G4320850	Kit Exhaust Gasket -4S	1	4S	A
	G2082140	Spring, Gear Shift Cam Stopper	1	4S	A		G4050380	Gasket Muffler	1	4S	A
	M1080830	Bolt, Gear Shift Cam Stopper	1	4S	A		N9053170	Gasket Exhaust Cylinder Block	1	4S	A
56	G4320830	Kit Oil Strainer	1	4S	A	59	G4320860	Pipe Intake Kit-4S	1	4S	A
	G4200010	O Ring Cover Oil Strainer	1	4S	A		R1040430	O Ring Pipe Intake	1	4S	A
	G2082390	Oil Strainer	1	4S	A		G4040460	Gasket Pipe Intake	1	4S	A
	G2200350	Oil Seal Kick Starter Shaft	1	4S	A	60	G4320870	Carburettor Kit-4S	1	4S	A
	G2200320	Oil Seal Crankshaft L	1	4S	A		K3320320	Needle Valve Assy	1	4S	A
	G2200330	Oil Seal Crankshaft R	1	4S	A		G2320780	Float Assy	1	4S	A
	G4200100	Oil seal 18 12 4 (Clutch Rod )	1	4S	A	61	G4321290	Kit Connecting Rod 4	1	4S	A
	G4030080	Gasket Cover Crank Case R	1	4S	A		G1020049	Con Rod Mc Np.049 4 Stroke 3 Wheeler	1	4S	A

\*\*A-Common 2 & 4 stroke models, 4S -Only 4 stroke ,NS-Not serviceable, ALT/AT-Alternate number

\* A - All Variants, P - Petrol ES, L - LPG, C - CNG, LSM - LPG Single Mode, EXP - Export Only

## SPARE PARTS KIT DETAILS

REF NO.	PART NO.	DESCRIPTION	Q/VH	MODEL **	VARIANT *	REF NO.	PART NO.	DESCRIPTION	Q/VH	MODEL **	VARIANT *
	G1020050	Crank Pin	1	4S	A	72	G4321070	Kit Primary Reducer(v)	1	4S	A
	G1200210	Needle Cage Crankpin 30x38x18	1	4S	A	73	G4321080	Kit Reducer(v)	1	4S	A
62	G4321280	Kit Exhaust Gasket 4	1	4S	A	74	G4321090	Kit Vacuum Diaphragm(v)	1	4S	A
	G4050380	Gasket Muffler 4S All	1	4S	A	75	G4321190	Kit Diaphragm(v)	1	4S	A
	N9053170	Gasket Muffler Rtr 180	1	4S	A	76	G4321330	Kit Reducer(V)	1	4S	A
63	G4321260	Kit Major Gasket Engine	1	4S	A	77	G4321570	Kit Crankcase Comp L- 4S	1	4S	A
	N2081720	Oil Seal Gear Shift Shaft	1	4S	A		G4030010	Crankcase L NP049 4S	1	4S	A
	G2200340	Oil Seal Drive Shaft	1	4S	A		3034050	Hook Kick Starter Shaft Spring	1	4S	A
64	G4321840	Kit Brake Shoe Comp (AA)	1	4S	A	78	G4321580	Kit Crankcase Comp R- 4S	1	4S	A
	G4110110	Clip (AA)	1	4S	A		G4030030	Crankcase R NP049 4S	1	4S	A
	G4110120	Pin Brake (AA)	1	4S	A		N2080920	Pipe Breather	1	4S	A
	G4110140	Brake Shoe (AA)	1	4S	A		K3060190	Bush Bendix R	1	4S	A
65	G4322610	Kit Cylinder block & Piston kit (BSIV)	1	4S	A	79	G4321590	Kit Cover Crankcase	1	4S	A
	G4010170	cylinder block comp NP049 4S	1	4S	A		G4030050	Cover Crankcase R 4S	1	4S	A
	G4020090	Piston Pin 4S	1	4S	A		M7200510	Bearing Bush 12x15x10	1	4S	A
	G4020110	Piston Assy DIA 62.00	1	4S	A	80	G4322160	Kit Utility Box	1	4S	A
	G4041650	Adaptor Sai Pipe	1	4S	A		G4220540	Utility Box Comp (without Lock)	1	4S	A
	N9042150	O-ring Air Injection	1	4S	A		G4120760	Utility Mtg Brkt Assy	1	4S	A
66	G4200710	Kit gear shifting - 4S	1	4S	A66		P1200050	Wave Spring Washer 6.5	3	4S	A
67	G4181650	TVS King Petrol HP Engine BSIV	1	4S	A		P1200070	Hex Screw M6x16 8.8 Zng	5	4S	A
68	G4181470	TVS King LPG HP Engine BSIV	1	4S	A		420001700	Punched Washer A6.6 Znb	7	4S	A
69	G4181480	TVS King CNG HP Engine BSIV	1	4S	A		G5200430	Allen Screw M5x35	2	4S	A
70	G4181610	TVS King LPG Engine Single mode BSIV	1	4S	A		420302700	Hex Nut M5 8 Znb	2	4S	A
71	G4321060	Kit Secondary Diaphragm(v)	1	4S	A		G5320380	Lock Assy Fuel Tank Lid	1	4S	A

\*\*A-Common 2 & 4 stroke models, 4S -Only 4 stroke ,NS-Not serviceable, ALT/AT-Alternate number

\* A - All Variants, P - Petrol ES, L - LPG, C - CNG, LSM - LPG Single Mode, EXP - Export Only



## SPARE PARTS KIT DETAILS

REF NO.	PART NO.	DESCRIPTION	Q/VH	MODEL**	VARIANT*	VEHICLE STICKERS				
						PART NO.	DESCRIPTION	Q/VH	MODEL**	VARIANT*
81	G4321650	Pinion Return Spring Kit Ph. 2.2	1	4S	A	G5210340	Air Filter Service	1	A	A
82	G4321760	One Side Pulling Kit	1	4S	A	G4210160	Arjun Logo Front L	1	4S	LSM
	G4321770	Bottom Bracket	1	4S	A	G4210170	TVS KING Arjun Logo Rear R Top	1	4S	LSM
	G4321780	Stud Bolt	1	4S	A	G5210190	Sticker Identification CNG	2	A	C
	G4321790	Stay	1	4S	A	G5210350	Sticker Electric Start	1	A	A
	G5321490	Spring Stud	1	4S	A	G5210330	Sticker Tyre Rotation	1	A	A
	P1200060	Hex Nut M6 Zng (tsds-0304)	2	4S	A	G5120180	Sticker, Identification LPG	2	A	L
83	G4322190	Kit Cabin Lamp Assy	1	4S	A	G5210200	Sticker, Instruction – LPG/CNG	1	A	L/C
	G5160460	Engine Compartment Lamp	1	4S	A	G4210060	Operating Instruction 4S	1	4S	A
	G4120750	Brkt Cabin Lamp	1	4S	A	G4210090	(TVS KING ZS) Sticker, Rear Auto CNG 4S BSIII	1	4S	C
	P200270	Screw For Lamp Mounting	2	4S	A	G4210080	(TVS KING LS) Sticker, Rear Auto LPG 4S BSIII	1	4S	L
	G4160800	Cord Set Lamp	1	4S	A	G4210070	(TVS KING GS) Sticker, Rear Auto Petrol 4S BSIII	1	4S	P
	G4322200	Cord Set Cabin Lamp	1	4S	A	G5210220	TVS KING Sticker	1	A	A
84	G4322240	Kit Steering Pivot Pin 1st O/s	1	4S	A	G4221270	Sticker TVS King GS+ BSIV	1	4S	P
	G4321870	Pivot Pin Front 1	1	4S	A	G4221280	Sticker TVS King LS+ BSIV	1	4S	L
	G2200570	Needle Bearing (small) 20x26x12	2	4S	A	G4221290	Sticker TVS King ZS+ BSIV	1	4S	C
	G2200660	Internal Circlip	2	4S	A	G4210510	Sticker BSIV	1	4S	A
	G5100010	O Ring 31.6x3	2	4S	A	G4220610	Deluxe Sticker RH	1	4S	A
	G5100030	Dust Seal	2	4S	A	G4220580	Deluxe Sticker LH	1	4S	A
85	G43222595r	Kit Bumper G Yellow	1	4S	A	G4221380	AC Sticker	1	4S	A
	G43002805r	Bumper Chassis Mounted G Yellow	1	4S	A					
	G4300270	Stay Bumper Mtg Comp	2	4S	A					
	G5200380	Hex Screw M8x 20	6	4S	A					
	G5200400	Punched Washer 8.5 X 20 X 2	6	4S	A					

\*\*A-Common 2 & 4 stroke models, 4S -Only 4 stroke ,NS-Not serviceable, ALT/AT-Alternate number

\*A - All Variants, P - Petrol ES, L - LPG, C - CNG, LSM - LPG Single Mode, EXP - Export Only

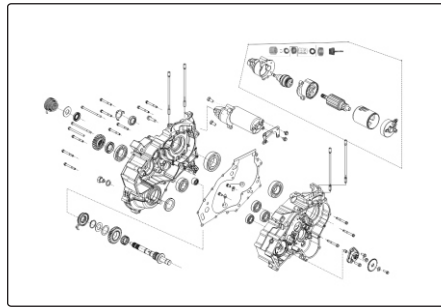
## STANDARD ACCESSORIES DETAILS

REF NO.	PART NO.	DESCRIPTION	Q/VH	MODEL**	VARIANT*	REF NO.	PART NO.	DESCRIPTION	Q/VH	MODEL**	VARIANT*
1	G4300700D	Kit, Idol Stand Black	1	A	A	7	G43001905R	Bumper Comp G Yellow-(3 ppt Mounting)	1	A	A
	G53001100D	Idol Stand Black	1	A	A	8	G4322160	Kit Utility Box	1	4S	A
	G53001200D	LH Cover Cowl Flange Idol Stand Black	1	A	A	9	G4322190	Kit Cabin Lamp Assy	1	4S	A
	G53001300D	RH Cover Cowl Flange Idol Stand Black	1	A	A	10	G43222595R	Kit Bumper G Yellow Chassis. Mtd	1	4S	A
	G5300140	Bracket LH	2	A	A	11	G4322580	Music System Assy Kit	1	4S	EXP
	G5300150	Bracket RH	2	A	A		G4322390	Music System Set	1	4S	EXP
2	G5300100	Tube Comp RH Entry Barrier	1	A	A		G5200350	Crr Pan Head Screw M5 X 16	6	4S	EXP
3	G4300050	Floor Mat Kit - Petrol	1	A	A		G5200340	Punched Washer M5.5x12x1	6	4S	EXP
	G5300170	Mat LH Driver Cabin	1	A	A		P1200150	Wave Spring Washer M5	6	4S	EXP
	G5300180	Mat RH Driver Cabin	1	A	A		G4221180	Usb Holder Upper	1	4S	EXP
	G5300190	Mat Passenger Cabin	1	A	A		G4221190	Usb Holder Lower	1	4S	EXP
4	G4300060	Floor Mat Kit LPG/CNG	1	A	A		G4121340	Mtg Bracket Music Player	1	4S	EXP
	G5300200	Mat LH Driver Cabin LPG/CNG	1	A	A		G4121350	Mtg Bracket Music Player Lower	1	4S	EXP
	G5300210	Mat RH Driver Cabin LPG/CNG	1	A	A		0332275	Screw - Crph M6x16 6.8 Znk	4	4S	EXP
	G5300190	Mat Passenger Cabin	1	A	A		P1200050	Wave Spring Washer M6	4	4S	EXP
5	G5321500	Kit Wheel Cap Assy	1	A	A		G5200490	Punched Washer M8.5x16x1.2	2	4S	EXP
6	G5160460	Engine Compartment Lamp	1	A	A		N3160340	Clamp Wiring Harness Big Size	1	4S	EXP

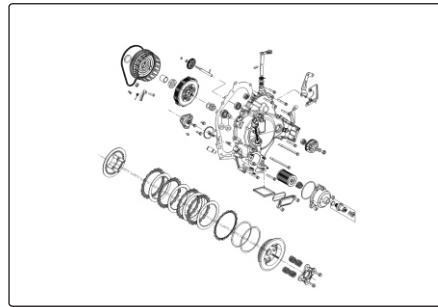
\*\*A-Common 2 & 4 stroke models, 4S -Only 4 stroke ,NS-Not serviceable, ALT/AT-Alternate number

\*A - All Variants, P - Petrol ES, L - LPG, C - CNG, LSM - LPG Single Mode, EXP - Export Only

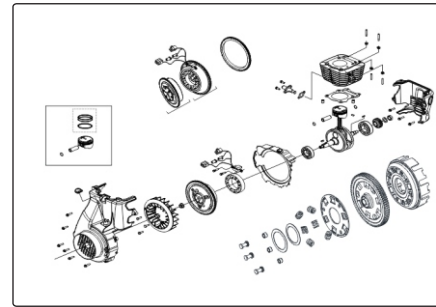
# FIGURE INDEX



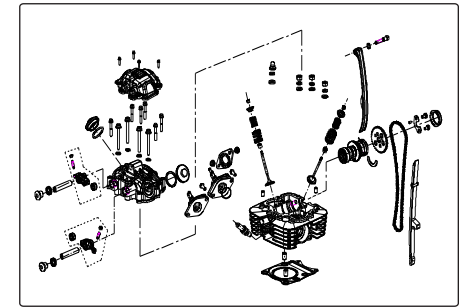
CRANK CASE ASSEMBLY  
Fig. No. 01, Page No. 15



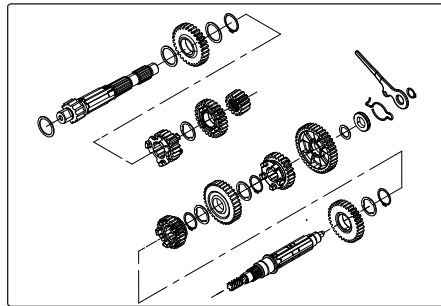
COVER CLUTCH ASSEMBLY  
Fig. No. 02, Page No. 17



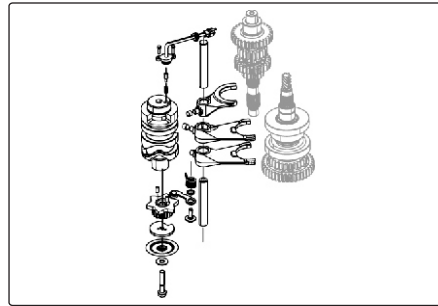
CYLINDER BLOCK & PISTON ASSEMBLY  
Fig. No. 03, Page No. 21



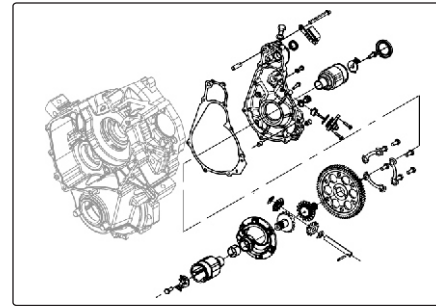
CYLINDER HEAD ASSEMBLY  
Fig. No. 04, Page No. 23



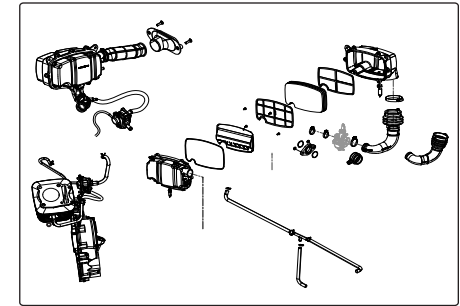
GEAR BOX ASSEMBLY  
Fig. No. 05, Page No. 25



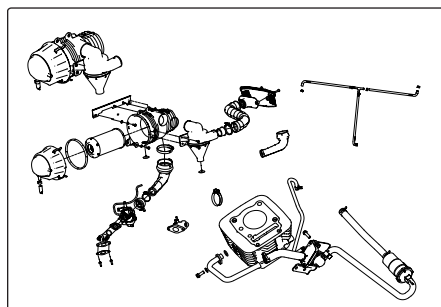
GEAR SHIFTER MECHANISM  
Fig. No. 06, Page No. 27



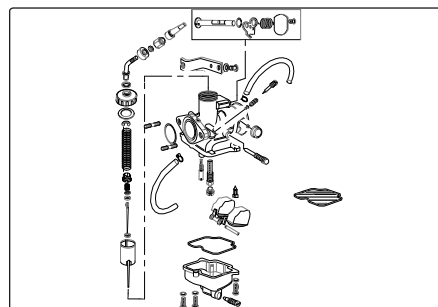
DIFFERENTIAL ASSEMBLY  
Fig. No. 07, Page No. 29



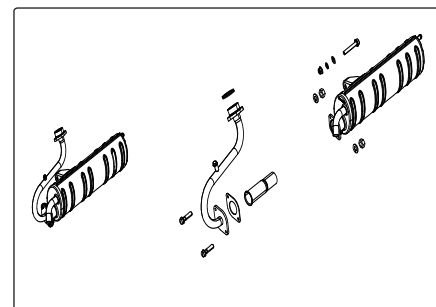
INDUCTION SYSTEM  
Fig. No. 08, Page No. 31



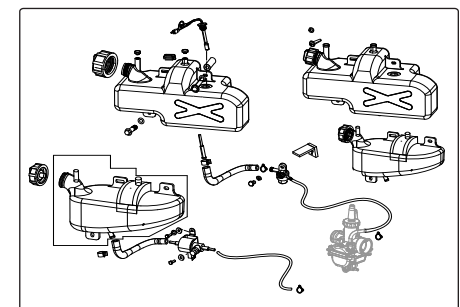
INDUCTION SYSTEM - BSIV  
Fig. No. 09, Page No. 33



CARBURETOR ASSEMBLY  
Fig. No. 10, Page No. 35

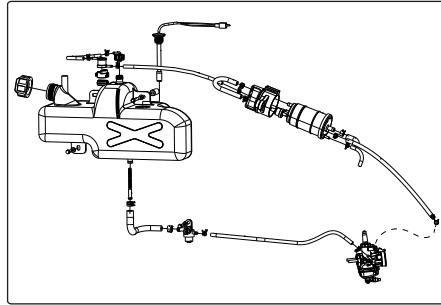


MUFFLER ASSEMBLY  
Fig. No. 11, Page No. 39

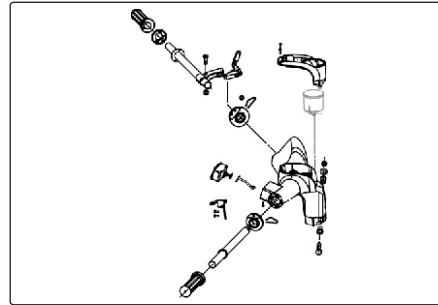


FUEL AND OIL TANK ASSEMBLY  
Fig. No. 12, Page No. 41

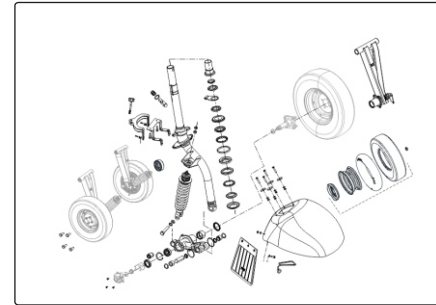
# FIGURE INDEX



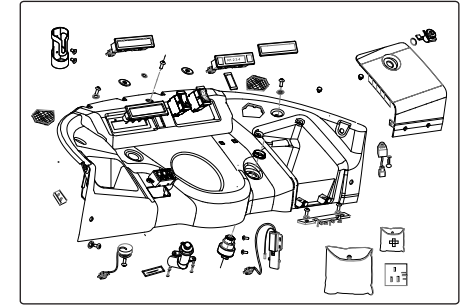
FUEL TANK & CANISTER SYSTEM - BSIV  
Fig. No. 13, Page No. 43



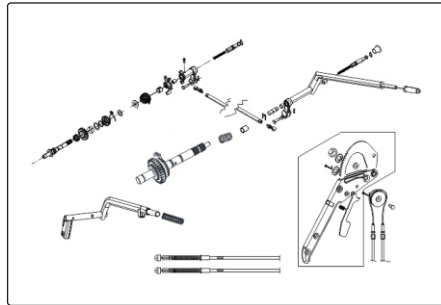
HANDLE BAR ASSEMBLY  
Fig. No. 14, Page No. 45



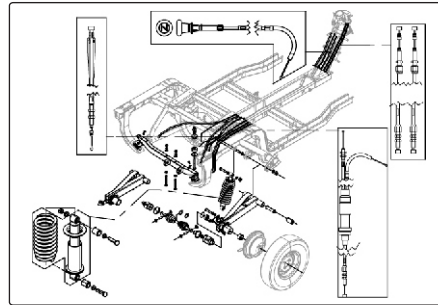
FRONT FORK ASSEMBLY  
Fig. No. 15, Page No. 47



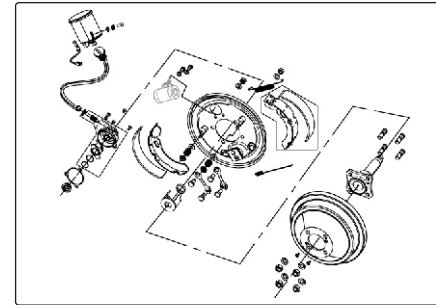
DASH BOARD ASSEMBLY  
Fig. No. 16, Page No. 49



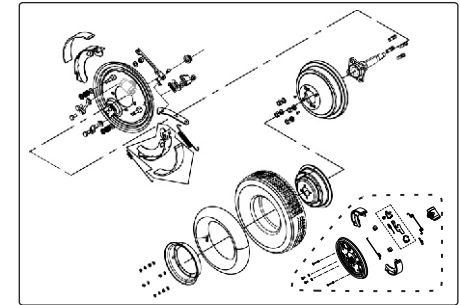
HAND STARTER & PARKING BRAKE MECHANISM  
Fig. No. 17, Page No. 54



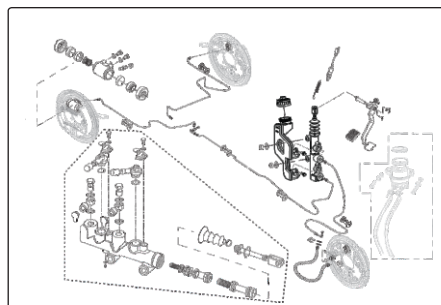
TRANSMISSION & CONTROL UNITS  
Fig. No. 18, Page No. 58



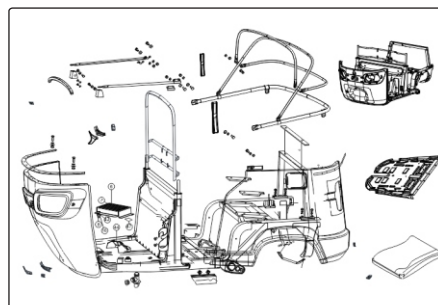
FRONT WHEEL & SPEEDO UNIT  
Fig. No. 19, Page No. 60



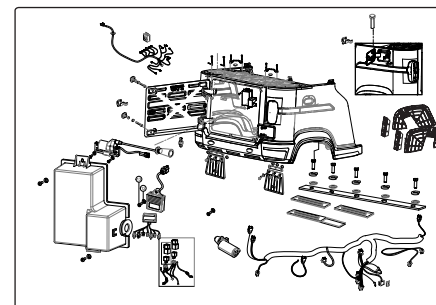
REAR WHEEL ASSEMBLY  
Fig. No. 20, Page No. 62



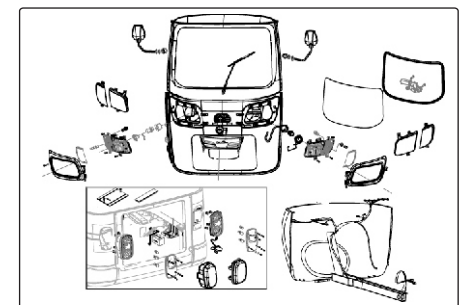
HYDRAULIC BRAKE SYSTEM  
Fig. No. 21, Page No. 64



CHASSIS & SOFT TOP ASSEMBLY  
Fig. No. 22, Page No. 66

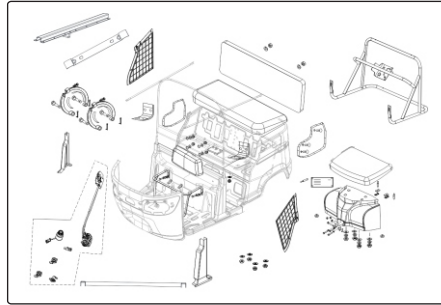


PASSENGER BODY & ELECTRICALS  
Fig. No. 23, Page No. 70

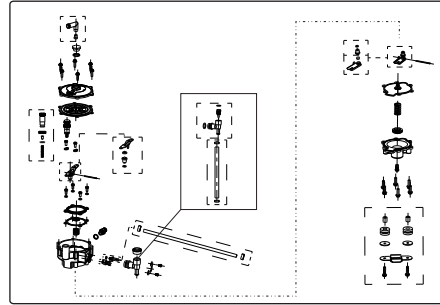


LIGHTING SYSTEM & WINDSHIELD ASSEMBLY  
Fig. No. 24, Page No. 76

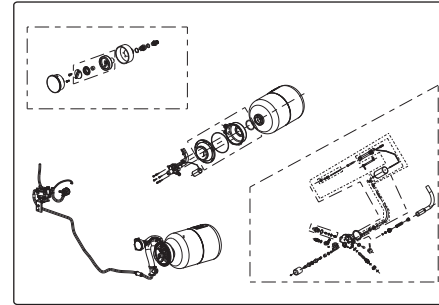
# FIGURE INDEX



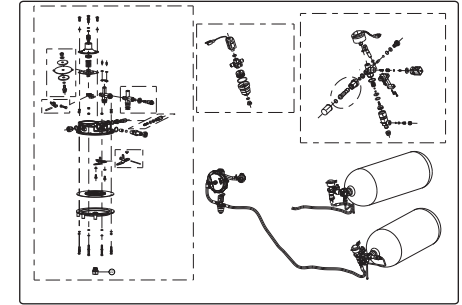
SEAT ASSEMBLY  
Fig. No. 25, Page No. 80



REDUCER SYSTEM LPG (15&20LTR) / CNG (4S) (VANAZ)  
Fig. No. 26, Page No. 84



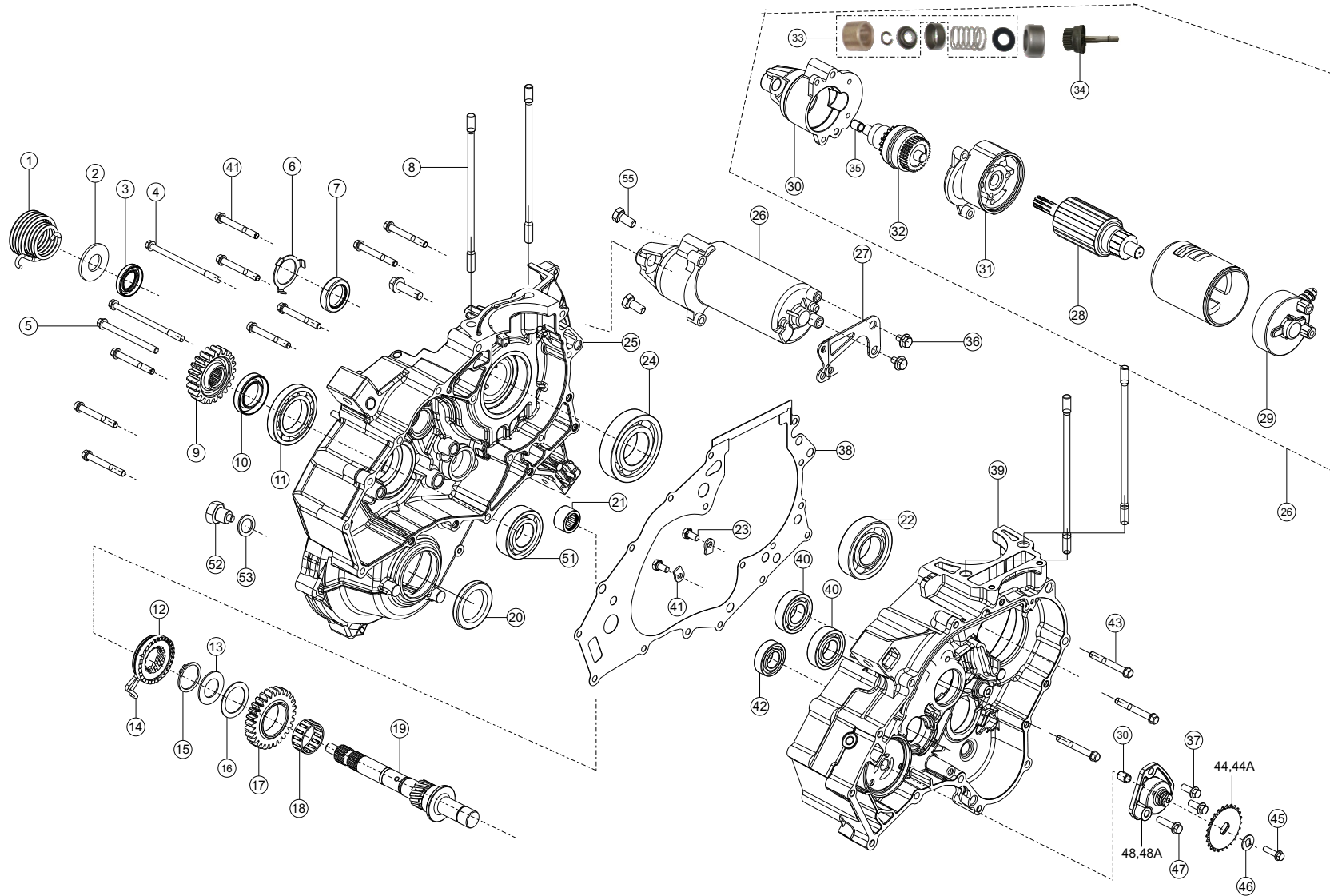
LPG FUEL SYSTEM 15 & 20LTR (4S) (VANAZ)  
Fig. No. 27, Page No. 86



CNG FUEL SYSTEM 28 & 33 LTR (4S)  
Fig. No. 28, Page No. 88

# CRANK CASE ASSEMBLY

Figure 1





**FIG. NO. 01**
**CRANK CASE ASSEMBLY**

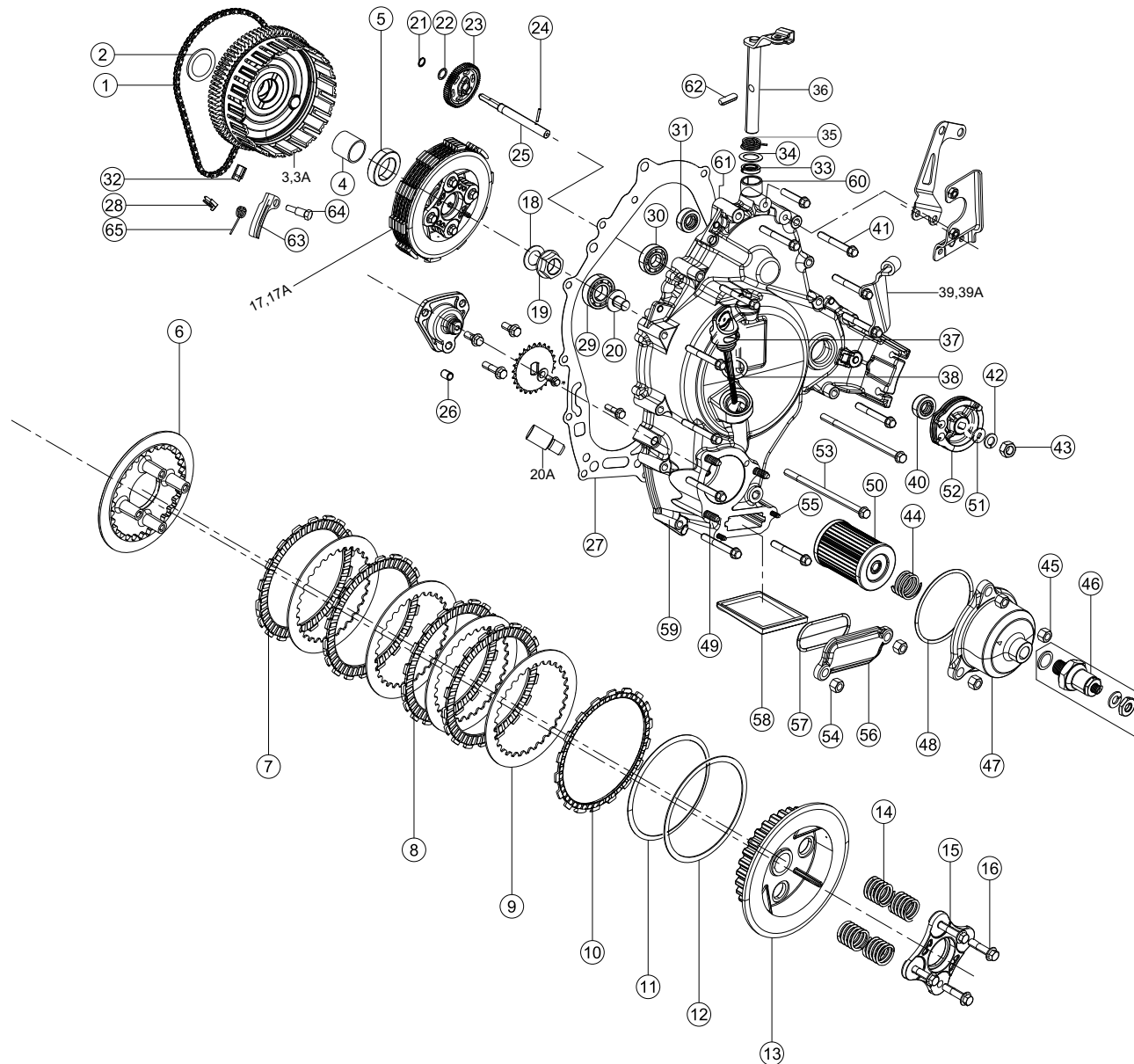
REF NO.	PART NO.	DESCRIPTION	QTY	MODEL **	VARIANT *	REMARKS	REF NO.	PART NO.	DESCRIPTION	QTY	MODEL **	VARIANT *	REMARKS
1	G2082260	Spring Hand Start	1	A	A		29	G5060240	Brush box kit	1	D	A	
2	G2200990	Punched washer 18X39X3 HS Shaft	1	A	A		30	G5060220	Fixing bracket assy	1	D	A	
3	G2200350	Oil Seal Kick starter Shaft	1	A	A		31	G4320580	Inter bracket (Ph 2.2)	1	D	A	
4	M1200450	Hex Flange Bolt M6X95	2	4S	A		32	G4320570	Bendix Drive Assy. Ph 2.2 New (NI)	1	D	A	
5	M1200440	Hex Flange Bolt M6X75 CCLH	1	4S	A		33	G4320830	Pinion Return Spring Kit	1	D	A	
6	G3180230	Stopper Oil seal	1	A	A		34	G5321030	Shaft Gear weight cover assy	1	D	A	
7	G2200320	Oil seal crankshaft L	1	4S	A		35	K3060190	Bush Bendix R	1	D	A	
8	G4010040	Stud Bolt Cyl Head	4	4S	A		36	R1200500	HEX SCREW M6X12 8.8 ZNB	2	D	A	ALT-420452700
9	G40802204S	Gear Final Drive 22 Teeth	1	4S	A		37	M1200510	Hex Flange Bolt M6X25 Oil Pump Mtg	1	4S	A	
10	G2200340	Oil Seal Drive Shaft	1	A	A		38	G4030070	Gasket Crank Case	1	4S	A	
11	G2200310	Ball Bearing 35X62X9 #16007	2	A	A		39	G4030290	Crankcase R 4S	1	A	A	
12	G2082210	Ratchet Hand Start	1	A	A		40	0339480	Ball Bearing 20X42X12 C3 6004	2	A	A	
13	G2200530	Shim 20X32X1.5 Hs	2	A	A		41	G3080320	Retainer Bearing	2	A	A	
14	G2082220	Spring Ratchet Hand Start	1	A	A		42	S1200120	Ball Bearing 17X35X10 C3 6003	1	A	A	
15	G2200980	Circlip Hs	1	A	A		43	N2200450	Hex FI Bolt - M6X50	15	A	A	
16	G2200970	Shim 28X38X1.0	1	A	A		44	G4080130	SPROCKET CAMSHAFT 25T	0	4S	A	
17	G2082200	Gear Hand Start	1	A	A		44A	M1010210	SPROCKET CAMSHAFT 32T	1	4S	A	ISG/CNG/LPG
18	G2201100	Needle Cage 28X33X13 Hs Shaft	1	A	A		45	M1200940	Hex Screw M5X10 8.8 Sprocket	1	4S	A	
19	G2082190	Shaft Hand Start	1	A	A		46	8200300	Washer Sprocket Oil Pump Mtg	1	4S	A	
20	G2200360	Oil Seal Differential	2	A	A		47	M1200520	Hex FI Bolt M6X16 Oil Pump Mtg	2	4S	A	
21	G4200020	Needle Roller Bearing 18X24X14	1	4S	A		48	G4080100	Oil Pump Assy	1	4S	A	
22	M7200530	Ball Bearing 6207R	1	A	A		48A	G4080850	OILPUMP ASSY	1	4S	A	
23	420452700	Hex Screw M6X12 8.8 2nb	2	A	A		49	G4321580	Kit Crankcase Comp R - 4S (Ni)	1	4S	A	
24	G2200760	Ball Bearing 35X72X17 C3 6206Cs L	1	4S	A		50	G4321570	Kit Crankcase Comp L - 4S (Ni)	1	4S	A	
25	G4030010	Crankcase L 4S	1	4S	A		51	N8200750	Ball Bearing 25x52x15	1	A	A	ISG/CNG/LPG
26	G4060170	Starter motor new (ph,2.2)	1	D	A		52	S1200900	Plug Comp Oil Drain (Magnetic)	1	A	A	
27	G4180940	Brkt, Mtg Starter Motor	1	D	A		53	S1011290	Sealing Washer	1	A	A	
28	G4320560	Armature Coil assy (Ph 2.2)	1	D	A		54	S1200900	Plug comp, Oil	1	A	A	
							55	S1101250	Hex Bolt M8X35 Starter Motor Mtg	1	A	A	

\*\*A-Common 2 &amp; 4 stroke models, 4S -Only 4 stoke ,NS-Not serviceable, ALT/AT-Alternate number



# COVER CLUTCH ASSEMBLY

Figure 2



**FIG. NO. 02**
**COVER CLUTCH ASSEMBLY**

REF NO.	PART NO.	DESCRIPTION	QTY	MODEL **	VARIANT *	REMARKS	REF NO.	PART NO.	DESCRIPTION	QTY	MODEL **	VARIANT *	REMARKS
1	G4080150	Roller Chain 86 Link Oil Pump Drive	1	4S	A		23	G3080260	Gear Shift Shaft	1	A	A	
2	G2200530	Shim 20X32X1.5 Clutch	1	A	A		24	G3080300	Pin Gear Shift	1	A	A	
3	G4070500	Gear Assy Primary Driven	1	4S	A		25	G3080270	Shaft Gear Shift	1	A	A	
3A	G4071050	Gear Assy Primary Driven	1	D*	A		26	0074010	Dowel Pin	4	A	A	
4	G3070050	Spacer Clutch	1	A	A		27	G4030080	Gasket Cover Crank Case-R	1	4S	A	
5	G4070240	Spacer Clutch 8 Mm Shim	1	4S	A		28	G4080200	GUIDE, TIGHT SIDE ROLLER CHAIN	1	4S	A	ALT-G4080210
6	G4070320	Disc Pressure Clutch Mc	1	4S	A		29	M1200380	Ball Bearing 15X32X39 C3 6002 Clutch	1	A	A	
7	G4070280	Plate Clutch Drive - Type C	2	4S	A		30	N2200400	Ball Bearing 12X28X8	1	A	A	
8	G4070270	Plate Clutch Drive - Type A	3	4S	A		31	G4200080	Oil Seal Gear Shift Shaft	1	A	A	
9	G4070340	Plate Clutch Driven	4	4S	A		32	G4080210	Guide, Tight Side Roller Chain old	1	A	A	
10	G4070290	Plate Clutch Drive - Type B	1	4S	A		33	G4200100	Oil seal 18*12*4 (Clutch Release Rod)	1	A	A	
11	G4070300	Spring Clutch Judder - 4S	1	4S	A		34	N3200070	Punched Washer 14.5	1	A	A	
12	G4070310	Washer Clutch Judder - 4S	1	4S	A		35	G3070240	Spring Clutch Cable Return (old )	1	A	A	
13	G4070250	Hub Clutch Mc	1	4S	A		35A	G4070740	Spring clutch cable (New) (Ni)	1	4S	A	
14	G4071090	Spring Clutch ( New Spring 980 Nm)	4	4S	A		36	G3070220	Rod Comp Clutch Release (Old)	1	A	A	
15	G4070260	Plate Clutch Release Mc	1	4S	A		36A	G4070710	Rod clutch Cable (Ni)	1	4S	A	
16	N2200500	Hex Flange Bolt M6X25 Zng	4	4S	A	ISG/CNG/LPG	37	G4080400	Gauge Oil Level Np.049	1	4S	A	
17	G4070010	Center Assy Clutch	1	4S	A		38	S1200860	O-Ring	1	4S	A	
17A	G4071100	Center Assy Clutch Manual	1	D+	A		39	G3070250	Brkt Abutment Clutch (Old)	1	A	A	
18	S1201050	Disc Spring	2	A	A		39A	G4070720	Brkt Clutch Cable (New)	1	4S	A	
19	G3200070	Nut Clutch M16X1.25	1	A	A		40	N2081720	Oil Seal Gear Shift Shaft	1	A	A	
20	G4070230	Pin Clutch Release	1	4S	A		41	N2200450	Hex Fl Bolt - M6X50	15	A	A	
20A	G4070990	PIN CLUTCH RELEASE	1	4S	A		42	0330318	Wave Spring Washer M8	4	4S	A	
21	M1200870	Circlip 12X1.0 N Is:3075 Ext	2	A	A		43	0334548	Hex Nut M8 8 Gear Shifter Pulley	1	A	A	
22	M1200320	Punched Washer 12.5X17X1 Zng	1	A	A		44	M1080620	Spring Oil Filter Cap	1	4S	A	
							45	P1200060	Hex Nut M6 Zng Cover Oil Filter	5	4S	A	
							46	G4160170	Oil Pressure Switch	1	4S	A	

\*\*A-Common 2 &amp; 4 stroke models, 4S -Only 4 stroke ,NS-Not serviceable, ALT/AT-Alternate number

# COVER CLUTCH ASSEMBLY

Figure 2

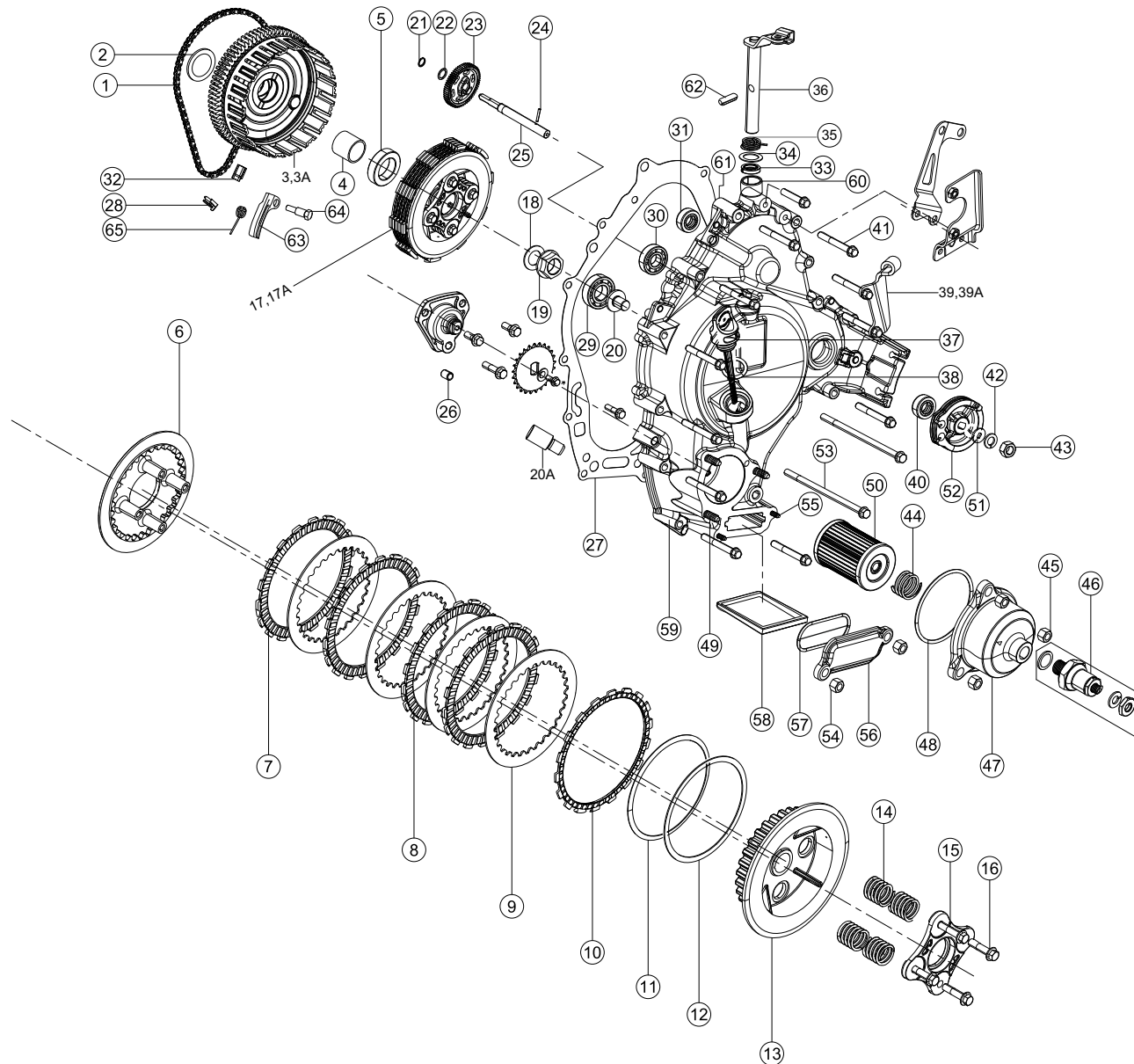


FIG. NO. 02

**COVER CLUTCH ASSEMBLY**

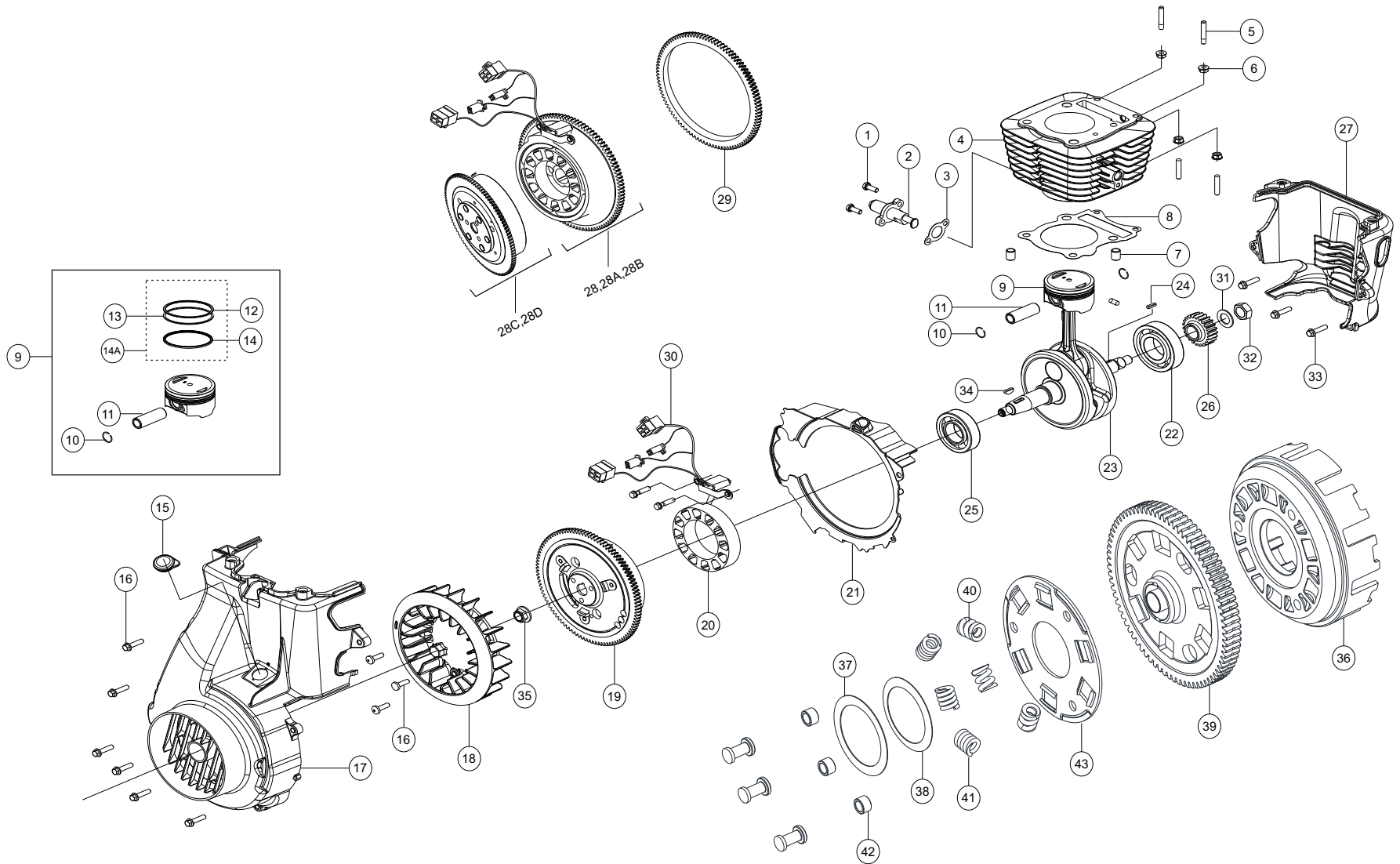
REF NO.	PART NO.	DESCRIPTION	QTY	MODEL **	VARIANT *	REMARKS	REF NO.	PART NO.	DESCRIPTION	QTY	MODEL **	VARIANT *	REMARKS
48	M1080600	O- Ring 52.6X2.4	1	4S	A								
49	0333528	Stud	3	4S	A								
50	G4080260	Filter Comp, Engine Oil	1	4S	A								
51	G4080290	D Washer Pulley Gearshift	1	A	A								
52	G3080290	Pulley Gear Shift	1	A	A								
53	G4200050	Hex Flange Bolt M6X122	2	4S	A								
54	P1200060	Hex Nut M6 Zng Cover Oil Filter	5	4S	A								
55	0333528	Stud	2	4S	A								
56	G4080020	Cover Oil Strainer	1	4S	A								
57	G4200010	O-Ring Cover Oil Strainer	1	4S	A								
58	G2082390	Oil Strainer	1	4S	A								
59	G4030050	Cover Crankcase R 4S	1	4S	A								
60	M7200510	Bearing Bush (Ni)	2	4S	A								
61	G4321590	Kit Cover Crankcase R 4S	1	4S	A								
62	M7200500	Spring Dowel Clutch Rod	1	4S	A								
63	G4080550	Chain Guide	1	4S	A								
64	K3010640	Bolt Chain Tensioner (RC)	1	4S	A								
65	G4080600	Spring Chain Tensioner	1	4S	A								

\*\*A-Common 2 & 4 stroke models, 4S -Only 4 stoke ,NS-Not serviceable, ALT/AT-Alternate number

\* A - All Variants, P - Petrol ES, L - LPG, C - CNG, LSM - LPG Single Mode, EXP - Export Only

# CYLINDER BLOCK & PISTON ASSEMBLY

Figure 3



**FIG. NO. 03**
**CYLINDER BLOCK & PISTON ASSEMBLY**

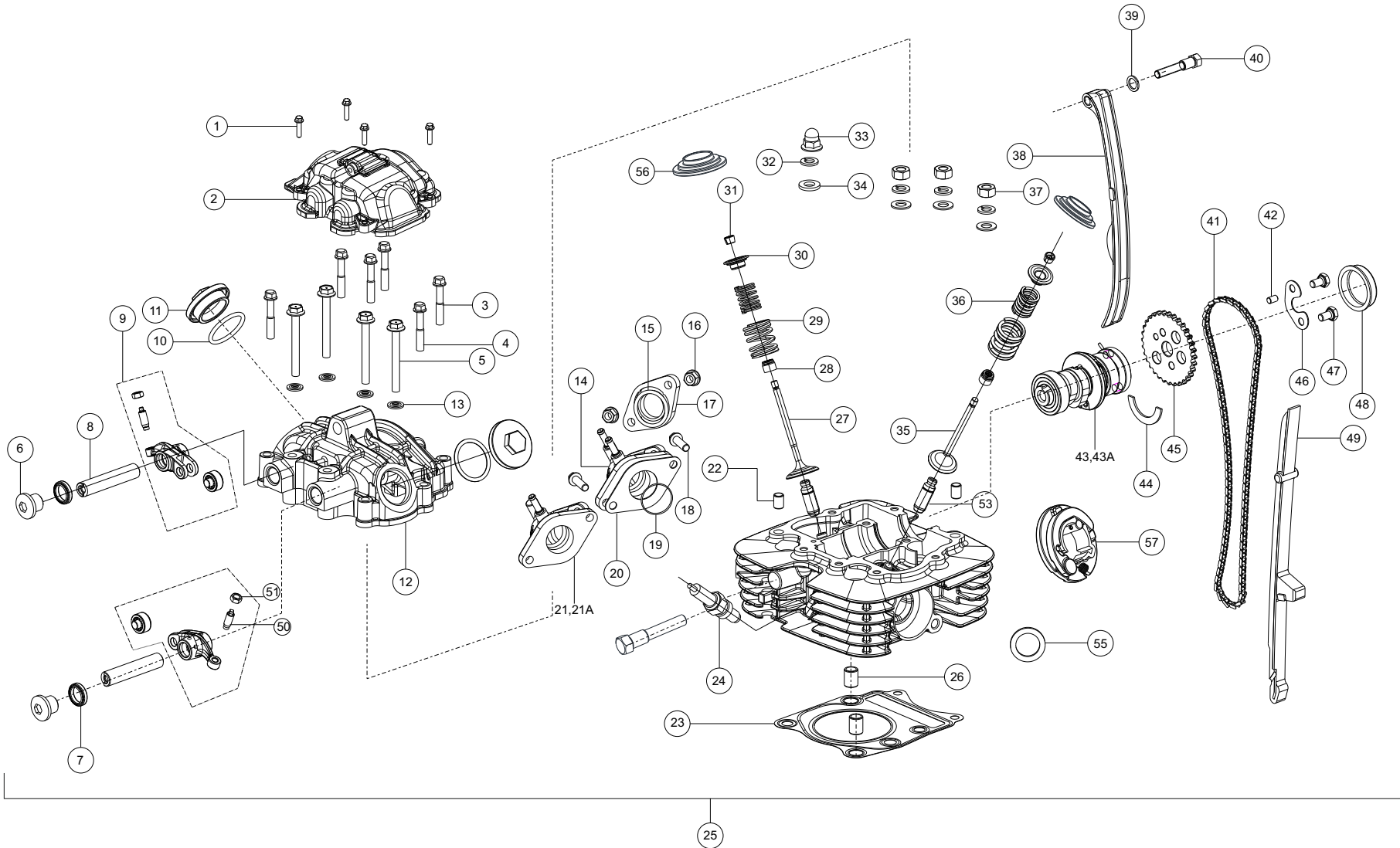
REF NO.	PART NO.	DESCRIPTION	QTY	MODEL **	VARIANT *	REMARKS	REF NO.	PART NO.	DESCRIPTION	QTY	MODEL **	VARIANT *	REMARKS
1	P1200070	Hex Screw M6X16 8.8 Tensioner Mtg	2	A	A		22	M7200530	Ball Bearing 6207R	1	A	A	
2	M1010180	Adjuster Assy Tensioner	1	A	A		23	G1020010	Crankshaft Comp Np.049	1	A	A	
3	M1010510	Gasket Tensioner Adjuster	1	A	A		24	3044070	Key Primary Driven Gear	1	A	A	
4	G4010170	Cylinder Block Comp 4S BSIII	1	A	A	ALT-G4322620	25	G2200760	Ball Bearing 35X72X16	1	A	A	
4A	G4011430	Cylinder Block Without SAI (Ni) BSIII	1	4S	A		26	G4080160	Gear Primary Drive 4 stroke 3 Wheeler	1	A	A	
5	M1200780	Stud Bolt Cyl Head	2	A	A		27	G4181250	Cowl Comp RH(HP)	1	A	A	
6	M1200900	Hex Flange Nut M6	2	A	A		28	G4060210	MAGNETO ASSY WITH COVER 4S	1	4S	A	
7	S1200270	Tubular Dowel Cy Head & Block	2	A	A		28A	G4060340	MAGNETO ASSY ES HIGH POWER	1	4S	A	
8	G4010070	Gasket Cylinder Block	1	A	A		28B	G4060350	Magneto Assy Es	1	4S	A	CNG/LPG
9	G4020110	Piston Kit 4S STD	1	4S	A	ISG/CNG/LPG	28C	G8060110	Starter generator exp	1	D+	A	
9A	G4320670	Piston Kit 4S O/S I (Ni)	1	4S	A		28D	G4060910	MAGNETO ASSY. EFI	1	4S	A	
9B	G4320680	Piston Kit 4S O/S II (Ni)	1	4S	A		29	G3080359	Ring Gear Es	1	4S	A	
10	M1010440	Circlip 17X1.0 Piston Pin	2	4S	A	ISG/CNG/LPG	30	G4041650	Domed Nut With Flange M8 Cy. Head	1	4S	A	
11	G4020090	Piston Pin 4S	1	4S	A	ISG/CNG/LPG	31	S1201050	Spring Disc (Washer PD Gear)	1	A	A	
12	M7020340	Ring Piston Top	1	4S	A		32	0334234	Hex Nut PD Gear	1	A	A	
13	G4020100	Piston Ring 2Nd 62.00	1	4S	A		33	N2200500	Hex Flange Bolt M6X25 ZNG.	3	A	A	
14	G4020210	Piece Oil Ring	1	4S	A		34	3044070	Wood Ruff Key (Magneto Rotor)	1	A	A	
14A	G4320640	Piston Ring Set 4S STD	1	4S	A		35	M1200770	Hex Flange Nut M12x1.5	1	A	A	
14B	G4320650	Piston Ring set 4S O/S I (Ni)	1	4S	A		36	G4070200	HOUSING CLUTCH . 2	1	A	A	
14C	G4320660	Piston Ring set 4S O/S II (Ni)	1	4S	A		37	G3070209	SEAT WAVE WASHER	1	A	A	
15	G4180310	Plug TDC	1	A	A		38	G3070219	WAVE WASHER GEAR PRIMARY DRIVEN	1	A	A	
16	M1200510	Hex Flange Bolt M6X25	9	A	A		39	----	GEAR COMP PRIMARY DRIVEN	1	A	A	NS
17	G4181240	Cowl Comp LH (HP)	1	A	A		40	M1081219	SPRING CLUTCH DAMPER MAIN	3	A	A	
18	G4181220	Fan Engine Cooling (HP)	1	A	A		41	T4080579	SPRING PRI DRVN GEAR DAMPER NO.1	3	A	A	
19	G4320370	Magneto Rotor Old 12 Pole	1	4S	A		42	G2082279	SPACER PRIM DRIVEN GEAR	3	A	A	
19A	G4322410	Magneto Rotor 16 Pole	1	4S	A		43	G3070179	GEAR PRIMARY DRIVEN ASSY	1	A	A	ALT-G3070020
19B	G4322060	Magneto Rotor 3 Phase 12 Pole	1	4S	A		44	G2080469	RIVET PRIMARY DRIVEN GEAR	3	A	A	
20	G4320380	Stator Assy Old 12 Pole	1	4S	A		45	G4324120	CORD SET MAGNETO (Nil)	1	A	A	
20A	G4322400	Stator Assy 16 Pole	1	4S	A								
20B	G4322070	Stator Assy 3 Phase 12 Pole	1	4S	A								
20C	G4324100	Stator (Nil)	1	4S	A								
21	G4180060	Back Plate, Air Cooling	1	A	A								

\*\*A-Common 2 &amp; 4 stroke models, 4S -Only 4 stroke ,NS-Not serviceable, ALT/AT-Alternate number

\* A - All Variants, P - Petrol ES, L - LPG, C - CNG, LSM - LPG Single Mode, EXP - Export Only

# CYLINDER HEAD ASSEMBLY

Figure 4





**FIG. NO. 04**
**CYLINDER HEAD ASSEMBLY**

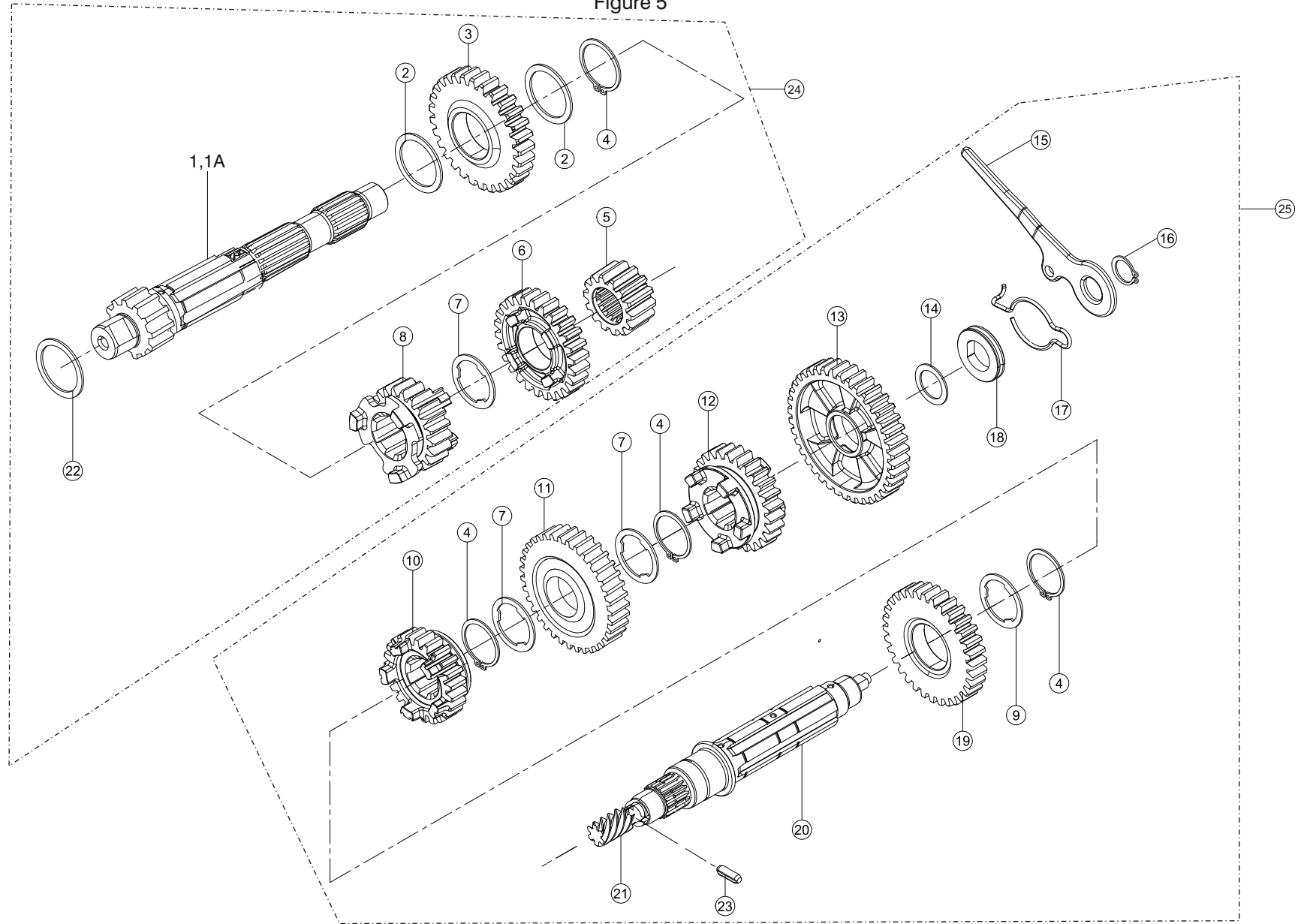
REF NO.	PART NO.	DESCRIPTION	QTY	MODEL **	VARIANT *	REMARKS	REF NO.	PART NO.	DESCRIPTION	QTY	MODEL **	VARIANT *	REMARKS
1	N2200500	Hex Flange Bolt M6X25	4	A	A		31	S1010320	Cotter Valve	4	A	A	
2	G4180040	Cowl Comp , Top Air Cooling	1	A	A		32	M1200060	Punched Washer 8.5X18X2.3 Cy Head	3	A	A	
3	M1200600	Hex Flange Bolt M6X45	2	A	A		33	M1200050	Domed Nut With Flange M8 Cy.Head	1	A	A	
4	M1200590	Hex Flange Bolt M6X35	4	A	A		34	M1010360	Gasket Cyl Head Nut ( Copper Washer)	1	A	A	
5	G4200050	Hex Flange Bolt M6X122	2	A	A		35	M7010280	Valve Exhaust	1	A	A	
6	M1010540	Plug Rocker Shaft	2	A	A		36	M1010580	Spring Valve Outer	2	A	A	
7	M1080420	Gasket Breather Plug	2	4S	A		37	G3200210	Hex Nut M8-1.25 Cy.Head	3	A	A	
8	M7010850	Shaft Rocker Arm	2	A	A		38	G4010050	Tensioner Cam chain	1	A	A	
9	G4011660	Arm Rocker Valve (Roller) Assy	2	A	A		39	N2010960	Washer Cam Chain Tensioner	4	A	A	
10	M1010390	O-Ring 29.5X3	2	A	A		40	G4010040	STUD BOLT CYL HEAD	4	A	A	ISG/CNG/LPG
11	R1011010	Cap Inspection Hole	2	A	A		41	G4010140	Cam Chain	1	A	A	
12	G4011690	Cover Cylinder Head	1	4S	A	ISG/CNG/LPG	42	M1010490	Pin Sprocket Knock	1	A	A	
13	M1010350	GASKET,CYL.HEAD COVER	4	A	A		43	G4010130	Cam Shaft Comp (RP) BSIII	1	4S	A	
14	G4040680	Pipe Intake Comp Exp. (Ni)	1	4S	EXP		43A	G4011530	Cam Shaft Comp (HP) BSIV	1	A	A	
15	G2200550	O Ring Neutral Switch	1	A	A		44	M7010840	C-Ring Camshaft	1	A	A	
16	M1200900	Hex Flange Nut M6	2	A	A		45	M1010210	Sprocket Camshaft 32T	1	A	A	
17	G4040440	Insulator Pad	1	A	A		46	M1080500	Washer Sprocket	1	A	A	
18	M1200530	Hex Flange Bolt M6X20 Intake	5	A	A		47	420452700	Hex Screw M6X10.5 P	2	A	A	
19	R1040430	O RING NEUTRAL SWITCH	1	4S	A	ALT-G2200550	48	M7010910	Plug Cylinder Head	1	A	A	
20	G4040460	Gasket Pipe Intake	1	A	A		49	G4010060	Guide Cam chain	1	A	A	
21	G4040570	Pipe Intake Comp LPG	1	4S	L/LSM		50	N8010970	Screw Tappet Adjuster	2	4S	A	
21A	G4040340	PIPE INTAKE COMP PETROL	1	A	P/C	CNG	51	S1010250	Nut Tappet Adjuster	2	4S	A	
22	M1010090	DOWEL PIN CYL HEAD KNOCK	2	A	A	ISG/CNG/LPG	52	G2201140	Stud, Bolt, MS, Muffler mtg	2	A	A	
23	M7010210	Gasket Cylinder Head	1	A	A		53	M1010060	Valve Guide	2	A	A	
24	G4011180	Spark Plug 4S	1	A	A		54	M1080510	BOLT CAM CHAIN TENSIONER	1	A	A	ISG/CNG/LPG
25	G4010180	Cylinder Head Assy NP. 049	1	A	A	ALT-G4010100	55	M1080370	GASKET OIL PIPE UNION	1	A	A	ISG/CNG/LPG
26	S1200270	Tabular Dowel Cy Head & Block	4	A	A		56	M1010610	SEAT VALVE SPRING	2	A	A	ISG/CNG/LPG
27	G4011650	Valve Intake	1	4S	A	ISG/CNG/LPG							
28	N4011100	Seal Valve Stem Oil	2	A	A								
29	N3011280	Spring Valve Inner	2	4S	A	ISG/CNG/LPG							
30	N2011040	Retainer Valve Spring	2	A	A								

\*\*A-Common 2 &amp; 4 stroke models, 4S -Only 4 stroke ,NS-Not serviceable, ALT/AT-Alternate number

\* A - All Variants, P - Petrol ES, L - LPG, C - CNG, LSM - LPG Single Mode, EXP - Export Only

# GEAR BOX ASSEMBLY

Figure 5



**FIG. NO. 05**
**GEAR BOX ASSEMBLY**

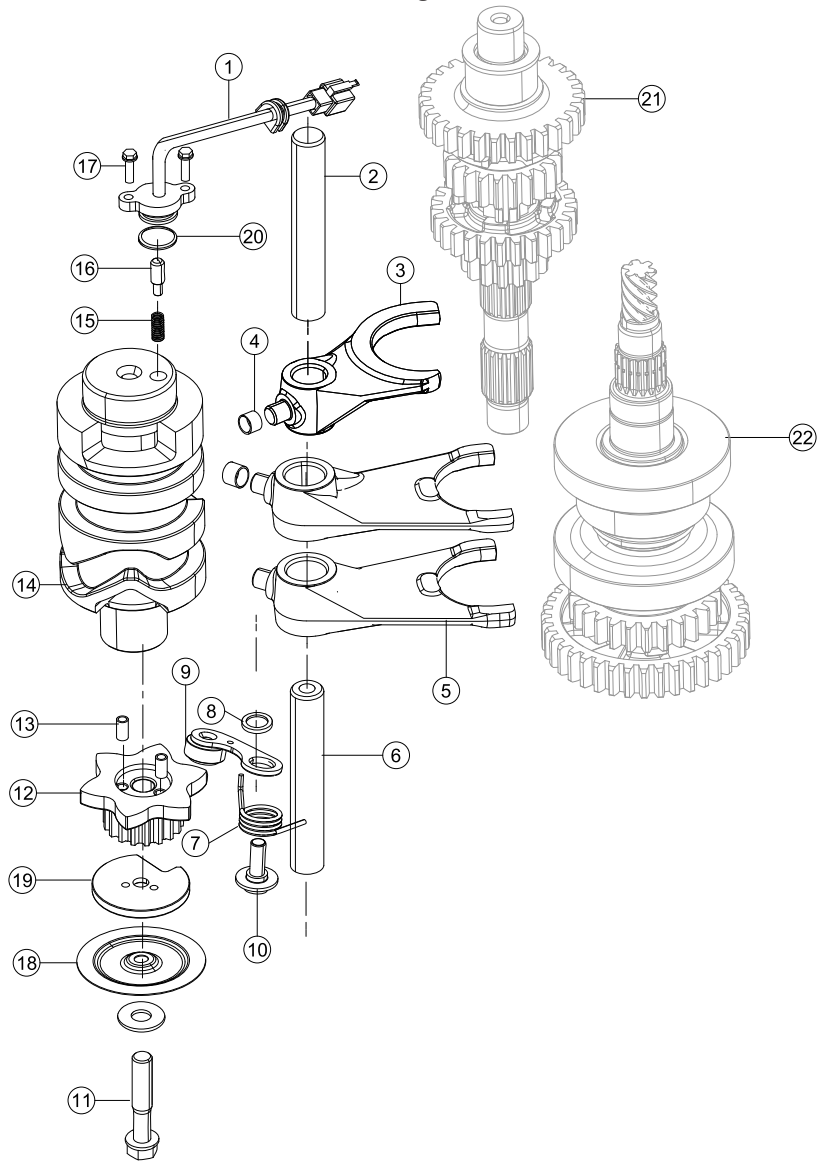
REF NO.	PART NO.	DESCRIPTION	QTY	MODEL **	VARIANT *	REMARKS	REF NO.	PART NO.	DESCRIPTION	QTY	MODEL **	VARIANT *	REMARKS
1	G4080110	Counter shaft Comp	1	4S	A		20	G2081630	Shaft Drive With Worm	1	A	A	
1A	G2081580	SHAFT COUNTER 3 WHEELER	1	4S	A		21	----	SHAFT DRIVE COMP	1	A	A	NS
2	G2200480	Shim 25.5X32X1.2	2	A	A		22	G2200050	Shim 21X30X1.8	1	A	A	
3	G2081610	Gear 4th Drive	1	A	A		23	M7200500	Dowel	1	A	A	
4	G2200020	Circlip 25X1.2	4	A	A		24	G4080670	Counter Shaft Assy1	1	A	A	
5	G4080640	Gear 1st Drive	1	A	A		25	G4080680	Drive Shaft Assembly	1	A	A	
6	G2081600	Gear 3rd Drive	1	A	A								
7	G2201000	Shim Sq Spline Dia 23X1.2	3	A	A								
8	G3080310	Gear 2nd Drive	1	A	A								
9	G2200690	Shim Spline 25X1.2	3	A	A								
10	G2081700	Gear 4th Driven	1	A	A								
11	G2081680	Gear 2nd Driven	1	A	A								
12	G2081690	Gear 3rd Driven	1	A	A								
13	G4080660	Gear Comp 1st Driven	1	A	A								
14	0335024	Shim 17X24X1.0 Oiled	1	A	A								
15	G2082340	Arm Stopper Reverse	1	A	A								
16	P200150	Circlip 11X1.0	1	A	A								
17	R1080160	Spring Gearshift Cam lock Arm	1	A	A								
18	G2082360	Plate Lock Arm Spring Reverse	1	A	A								
19	G2081710	Gear Comp Reverse Driven	1	A	A								

\*\*A-Common 2 &amp; 4 stroke models, 4S -Only 4 stoke ,NS-Not serviceable, ALT/AT-Alternate number

\* A - All Variants, P - Petrol ES, L - LPG, C - CNG, LSM - LPG Single Mode, EXP - Export Only

# GEAR SHIFTER MECHANISM

Figure 6



**FIG. NO. 06**
**GEAR SHIFTER MECHANISM**

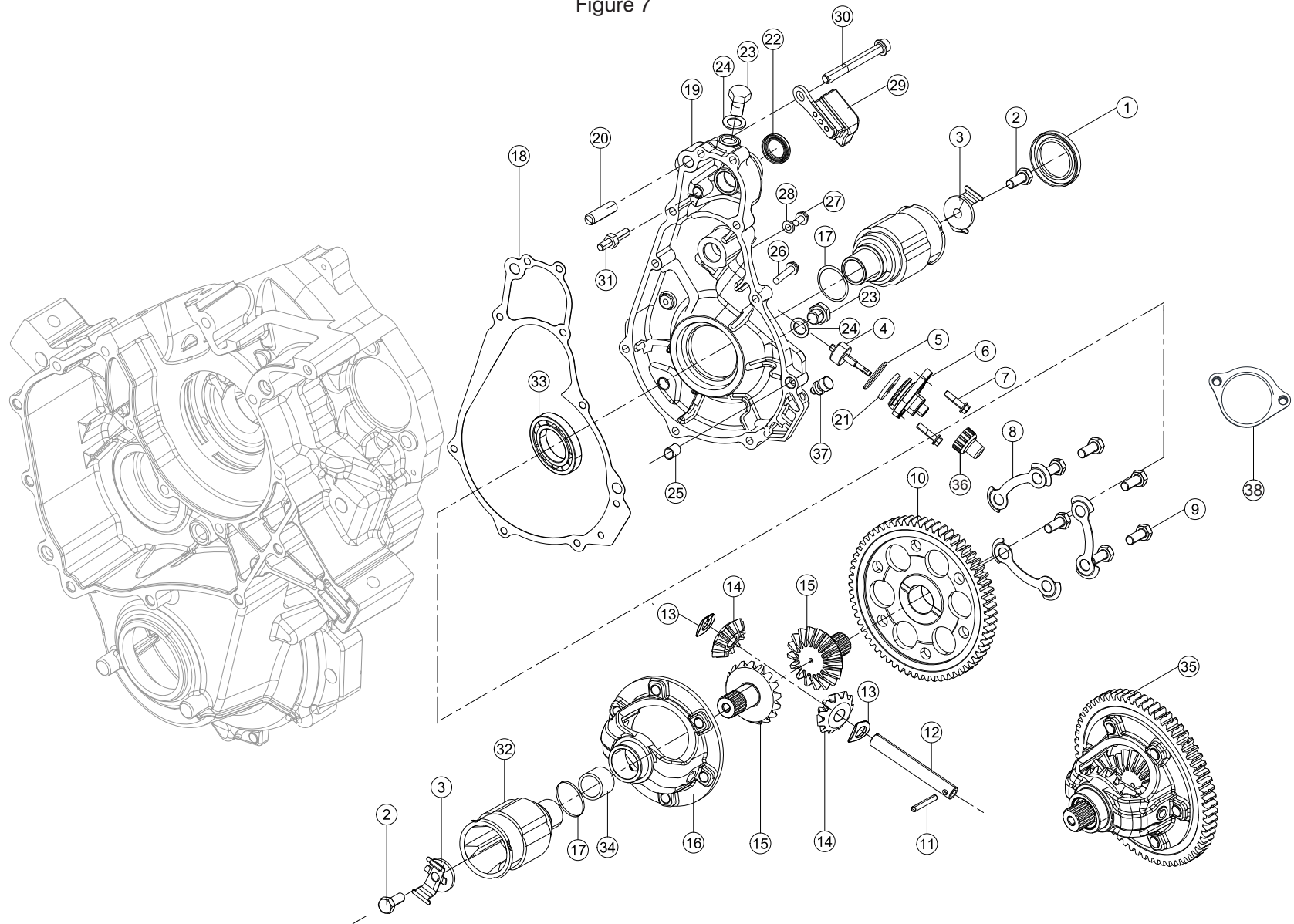
REF NO.	PART NO.	DESCRIPTION	QTY	MODEL **	VARIANT *	REMARKS	REF NO.	PART NO.	DESCRIPTION	QTY	MODEL **	VARIANT *	REMARKS
1	G2060040	Switch Assy Gear Position	1	A	A		20	G2200550	O Ring Neutral Switch	1	A	A	
2	N2080520	Pin Shift Fork	1	A	A		21	G4080670	Counter shaft Assy 4S	1	4S	A	
3	G3080200	Fork Gear Shift High Speed	1	A	A		22	G4080680	Drive Shaft Assy 4S	1	A	A	
4	N2081570	Spacer Roller Gear Shift Fork Pin	2	A	A		23	G4322710	Kit Gear Shifting (NIL)	1	A	A	
5	G3080170	Fork Gear Shift Low Speed	2	A	A								
6	G3080210	Pin Fork Shift Low Speed	1	A	A								
7	G4080740	Spring Gear Shift Cam Stopper	1	A	A								
8	G3200240	Shim 6 X 12 X 1	1	A	A								
9	G4080730	Stopper Comp Gearshift	1	A	A								
10	M1080830	Bolt Gear Shift Cam Stopper	1	A	A								
11	M1200470	Hex Flange Bolt M6X30 Retainer Mtg	1	A	A								
12	G3080070	Index Star	1	A	A								
13	G2082380	Pin Index Star	2	A	A								
14	G3080190	Cam Gear Shift	1	A	A								
15	U6080430	Spring Neutral Switch	1	A	A								
15A	3030500	SPRING K S PAWL	1	A	A								
16	U6080440	Switch Contact Gear Position	1	A	A								
17	M1200530	Hex Flange Bolt M6X20 Retainer Switch	2	A	A								
18	G2082350	Retainer Arm Reverse	1	A	A								
19	G2082370	Plate Stopper Reverse	1	A	A								

\*\*A-Common 2 &amp; 4 stroke models, 4S -Only 4 stoke ,NS-Not serviceable, ALT/AT-Alternate number

\* A - All Variants, P - Petrol ES, L - LPG, C - CNG, LSM - LPG Single Mode, EXP - Export Only

# DIFFERENTIAL ASSEMBLY

Figure 7



**FIG. NO. 07**
**DIFFERENTIAL ASSEMBLY**

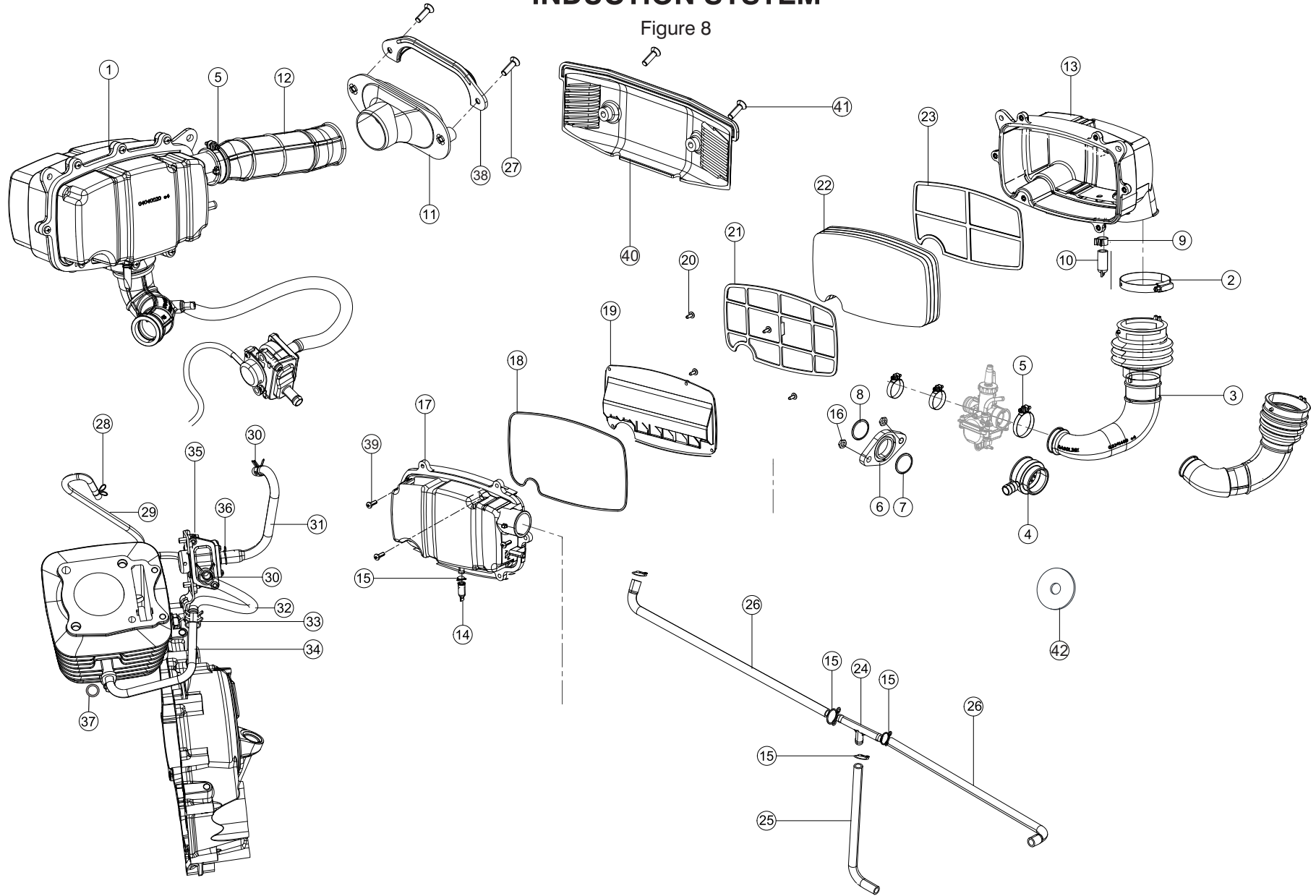
REF NO.	PART NO.	DESCRIPTION	QTY	MODEL **	VARIANT *	REMARKS	REF NO.	PART NO.	DESCRIPTION	QTY	MODEL **	VARIANT *	REMARKS
1	G2200360	Oil seal Differential	2	A	A		20	G3200200	Tubular Dowel 10X12	1	A	A	
2	420454700	Hex Screw M8X20 Muff Cup Eng Mtg	2	A	A		21	G3200180	Oil Seal 8X19X5 (Fare Meter Oil Seal)	1	A	A	
3	G2080540	Lock Plate Comp	2	A	A		22	G3200190	Dual Seal 18X27X6	1	A	A	
4	G2080740	Shaft Comp Fare meter Drive	1	A	A		23	N2081680	Plug Tdc Oil Drain & Filling Bolt	2	A	A	
5	G2200550	O Ring Neutral Switch	1	A	A		24	S1011290	Sealing Washer Oil Drain & Filling Bolt	2	A	A	
6	G3080220	Cap Engine Side Fare Meter	1	A	A		25	G3200200	Tubular Dowel 10X12	1	A	A	
7	M1200520	Hex FI Bolt M6X16 Cap Fare Meter Mtg	2	A	A		26	M1200520	Hex FI Bolt M6X16 Cover Differential Mtg	7	A	A	
8	G2081240	Lock Plate Differential 3 Wheeler	3	A	A		27	420452700	Hex Screw M6X12 (Oil Lever Screw)	1	A	A	
9	G3200220	Hex Screw M10X1.25X20 Diffe Lock Mtg	6	A	A		28	N3140120	GASKET OIL LEVEL PLUG	1	A	A	
10	G4080230	Gear Final Driven 4 Stroke	1	A	A		29	G2082290	Damper Head Start	1	A	A	
11	G2081220	Lock Pin Satellite Gear 3 Wheeler	1	A	A		30	N2200450	Hex FI Bolt M6X50 Damper Mtg	1	A	A	
12	G2081230	Pin Satellite Gear 3 Wheeler	1	A	A		31	3034050	Hook Kick Starter Shaft Spring	1	A	A	
13	G2081210	Shim Differential Housing 3 Wheeler	2	A	A		32	G2081250	Muff Cup Engine	2	A	A	
14	G2081410	Satellite Gear 3 Wheeler - Old	2	A	A	ALT-G4080860	33	G2200310	Ball Bearing 35X62X9 #16007	2	A	A	
15	G2081400	Bevel Gear 3 Wheeler - Old	2	A	A	ALT-G4080870	34	G2081479	Bush Housing Differential 3 Wheeler	1	A	A	
16	G2081420	Housing Comp Differential 3 Wheeler	1	A	A		35	G4080880	Differential Assy	1	A	A	
17	0248010	O Ring ENG SPRKT SPACR	4	A	A		36	G7180050	Protector Plug (FM)	1	A	A	
18	G3030150	Gasket Cover Differential	1	A	A		37	N2080920	Pipe Breather	1	A	A	
19	G3030090	Cover Differential	1	A	A		38	G4182170	COVER STARTER MOTOR	1	A	ISG	
19A	G4030260	COVER DIFFERENTIAL MC	1	A	A								

\*\*A-Common 2 &amp; 4 stroke models, 4S -Only 4 stoke ,NS-Not serviceable, ALT/AT-Alternate number

\* A - All Variants, P - Petrol ES, L - LPG, C - CNG, LSM - LPG Single Mode, EXP - Export Only

# INDUCTION SYSTEM

Figure 8





**FIG. NO. 08**
**INDUCTION SYSTEM**

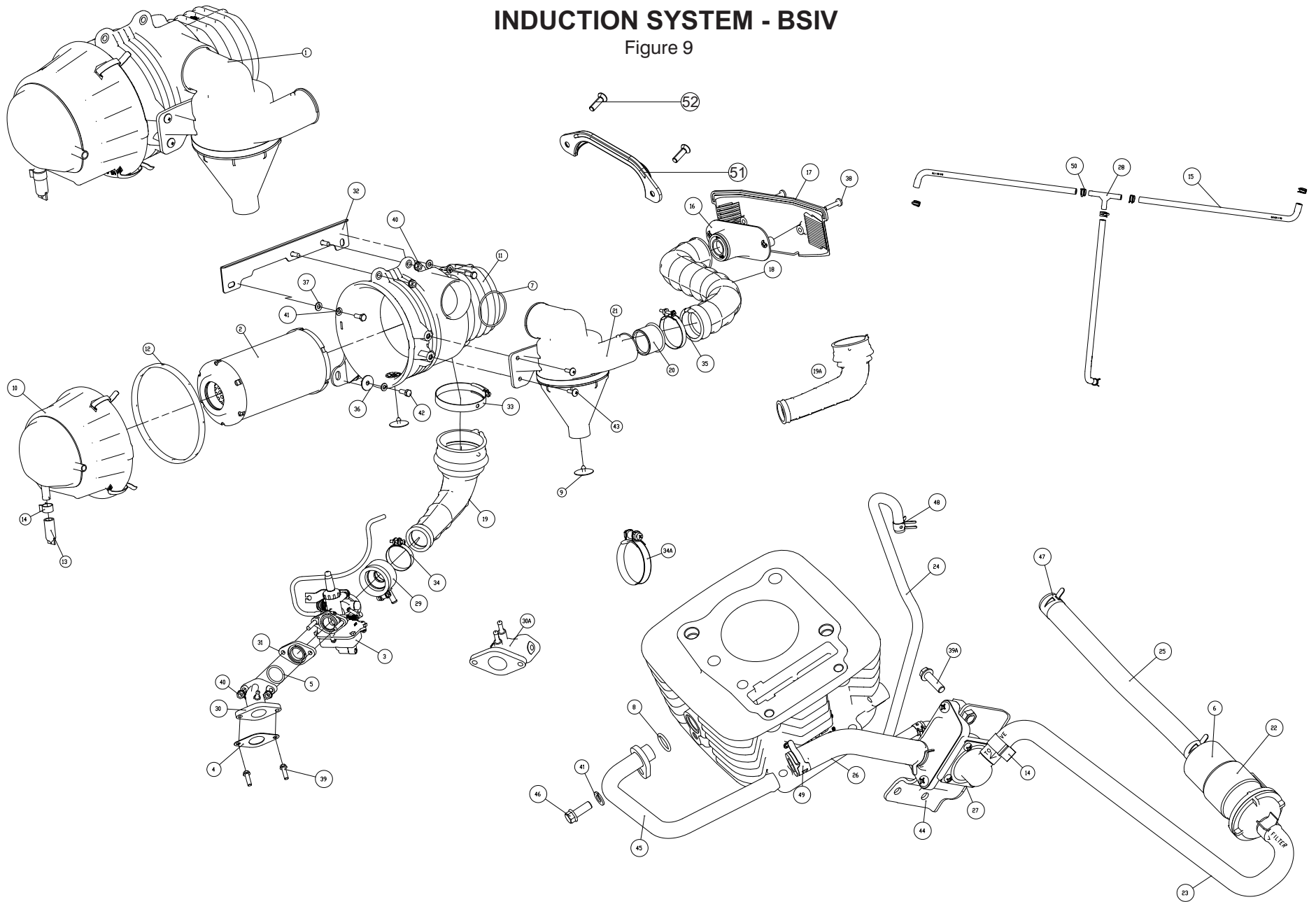
REF NO.	PART NO.	DESCRIPTION	QTY	MODEL **	VARIANT *	REMARKS	REF NO.	PART NO.	DESCRIPTION	QTY	MODEL **	VARIANT *	REMARKS
1	G4040030	Air Cleaner Assy	1	A	A		21	G4040110	Support Air Cleaner	1	A	A	
2	G4200030	Clip Worm Drive Dia76	1	A	A		22	G4040090	Foam Comp Filter, Air Cleaner	1	A	A	
3	G4040299	Tube Outlet Air Filter	1	4S	L/C/LSM		23	G4040100	Flame Trap Comp	1	A	A	
3A	G4040070	Tube Outlet Air Filter	1	4S	P		24	G4080300	T Pipe Breather	1	A	A	
3B	G4040690	Tube Outlet Air Filter Only Export (Ni)	1	4S	EXP		25	G4040550	Hose Breather Pcv	1	A	A	
4	G4040580	LPG Mixer Body 4S. (Ni)	1	4S	L		26	R2040140	Breather Hose Pcv	2	A	A	
4A	G4040610	Mixer Body Assy CNG 4S. (Ni)	1	4S	C		27	N3200360	Screw Flange Inlet	2	A	A	
5	P100480	Hose Clip Dia 43 (Ni) Carburetor Mtg	3	A	L/C		28	R1140350	Hose Clip Dia 7 to Intake Pipe	1	4S	A	
5A	M1040140	Hose Clip Dia 46 Air Filter Inlet Hose Mtg	2	A	A		29	G4040600	Hose Air Cut Valve Intake Pipe	1	4S	A	
6	G4040440	Insulator Pad	1	A	A		30	R1040460	Clip Hose Breather Hose Air Filter Out	2	4S	A	
7	R1040430	O-Ring Pipe Intake	1	4S	A		31	G4040530	Hose Air Inlet Hose Air Filter Out	1	4S	A	
8	-----	O Ring 25 X 2.85 Adopter Carb	1	A	A		32	K3040230	Hose Air Outlet	1	4S	A	
9	K140820	Hose Clip Oil Drain Air Filter Hose	1	A	A		33	N2041160	Clip Hose Air Outlet	1	4S	A	
10	G4040330	Drain Pipe Post Filter	1	A	A		34	G4040520	Pipe Comp Sai To Cy.Block	1	4S	A	
11	G4040190	Flange Inlet Air Filter	1	A	2P/2L/4P		35	N9041060	Secondary Air Injection Valve	1	4S	A	
11A	G3040010	Flange Inlet Air Filter (Ni)	1	A	2C/4L/4C		36	N2041150	Hose Clip	1	4S	A	
12	G4040160	Tube Inlet	1	A	A		37	N8040340	O Ring Air Injection SAI Outlet	1	4S	A	
13	G4040010	Case Air Cleaner	1	A	A		38	G4040900	Cover Air Inlet	1	A	A	
14	R1040780	Drain Pipe Pre Filter	1	A	A		39	0331718	CRPH Scr M5x16 6.8 ZNB	8	A	A	
15	N3040370	Clamp Drain Pipe (Pre Filter)	7	A	A		40	G4041030	Cover Air Inlet Comp CNG	1	4S	C	
16	M1200900	Hex Flange Nut M6 Carbu Adopter Mtg	2	4S	A		41	K3200860	Crr Pan Head Screw M6X30	2	4S	A	
17	G4040020	Cover Air Cleaner	1	A	A		42	0335876	PUNCHED WASHER 6.5x24x1.6	1	A	A	
18	G4040150	Seal Air Filter	1	A	A								
19	G4040260	Deflector Cover Air Cleaner	1	A	A								
20	M1201000	Crr Pan Head Tap Screw	4	A	A								

\*\*A-Common 2 &amp; 4 stroke models, 4S -Only 4 stoke ,NS-Not serviceable, ALT/AT-Alternate number

\* A - All Variants, P - Petrol ES, L - LPG, C - CNG, LSM - LPG Single Mode, EXP - Export Only

# INDUCTION SYSTEM - BSIV

Figure 9



**FIG. NO. 09**
**INDUCTION SYSTEM - BSIV**

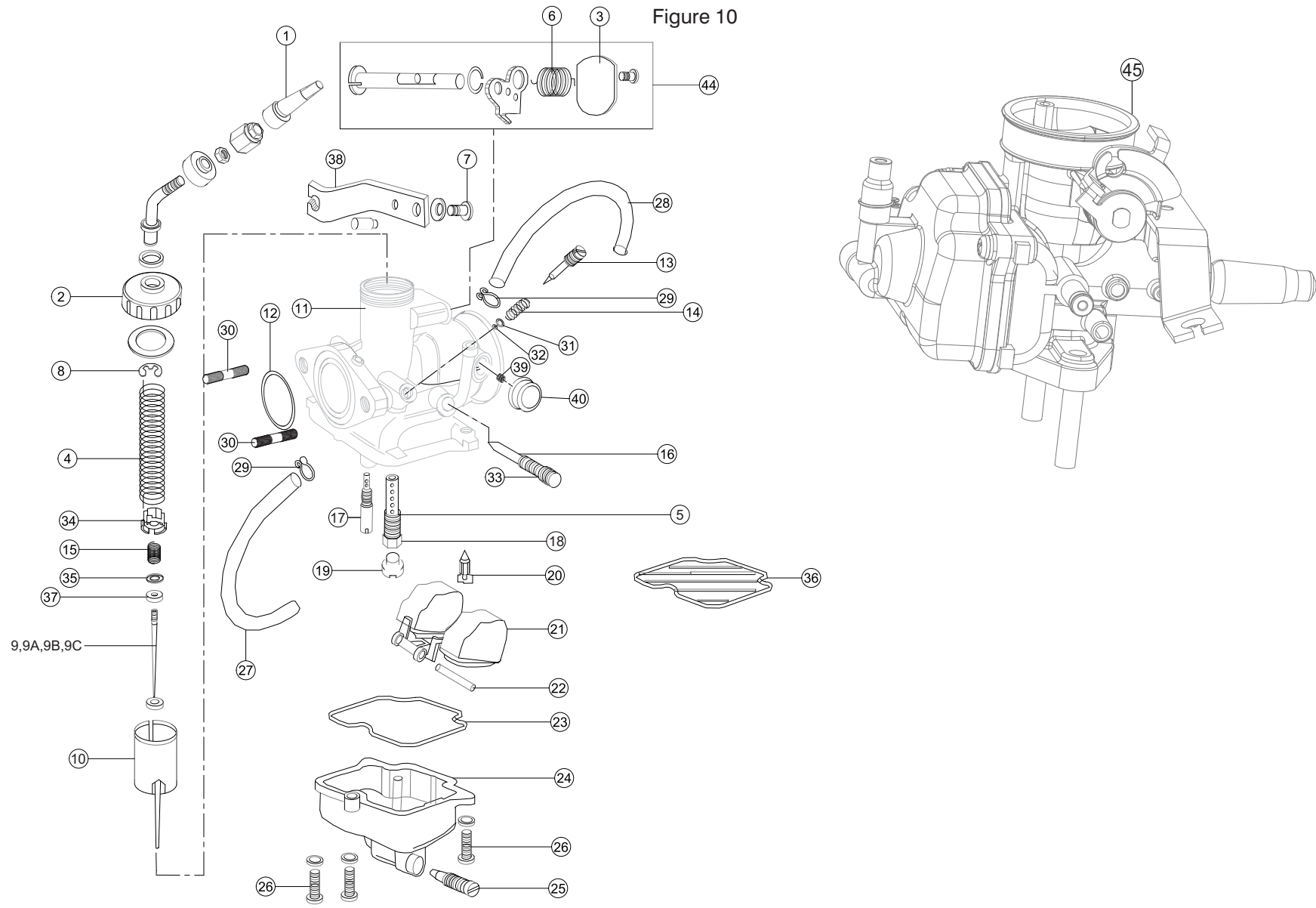
REF NO.	PART NO.	DESCRIPTION	QTY	MODEL **	VARIANT *	REMARKS	REF NO.	PART NO.	DESCRIPTION	QTY	MODEL **	VARIANT *	REMARKS
1	G4040800	Air Cleaner Assy	1	A	A		26	G4041380	Hose Air Outlet	1	4S	A	
2	G4040980	Filter Paper	1	4S	A		27	N9042020	Secondary Air Injection Valve	1	4S	A	
3	G4041340	Carburetor CNG	1	4S	L/C		28	G4080300	Pipe Breather	1	4S	A	
3A	G4041490	Carburetor Petrol	1	4S	P-HP		29	G4041350	Mixer Body LPG/CNG	1	4S	L/C	
3B	G4041520	Carburetor Petrol	1	4S	P-RP		30	G4040340	Pipe Intake Comp	1	4S	P/C	
3C	G4320170	Carburetor Assy	1	4S	LSM		30A	G4040570	Pipe Intake Comp	1	4S	L	
4	G4040460	Gasket,Pipe Intake	1	4S	A		31	G4040440	Insulator Pad	1	4S	A	
5	G2200550	O-Ring 25X2.85	1	4S	A		32	G4120720	Brkt Air Filter Comp	1	4S	A	
6	G4041180	Air Filter SAI	1	4S	A		33	G4200030	Clip Worm Drive 76	1	4S	A	
7	G4041320	O Ring Ø52.6 X Ø2.4	1	4S	A		34	P100480	Hose Clip 43	1	4S	A	
8	N9042150	O Ring Air Injection	1	4S	A		34A	G4041110	Clamp Intake Pipe	1	4S	A	
9	G4041260	Dust Ejector	2	4S	A		35	G4041540	Clamp, Intake Pipe	1	4S	A	
10	G4040970	Cover Air Cleaner Comp	1	4S	A		36	0335876	Punched Washer 6.5X24X1.6	1	4S	A	
11	G4040860	Case Air Cleaner Comp	1	4S	A		37	420001700	Punched Washer A6.6 Znb	2	4S	A	
12	G4040990	Seal Air Cleaner	1	4S	A		38	K3200860	Crr Pan Head Screw M6X30	2	4S	A	
13	G4040330	Drain Pipe	1	4S	A		39	M1200530	Hex Fl Bolt M6X20	2	4S	A	
14	K140820	Hose Clip	2	4S	A		40	M1200900	Hex. Flange Nut M6X1	2	4S	A	
15	G4181170	Breather Hose Pcv	3	4S	A		41	P1200050	Wave Spring Washer M6	3	4S	A	
16	G3040010	Flange Inlet Comp CNG	1	4S	A		42	P1200070	Hex Screw M6X16	3	4S	A	
17	G4041030	Cover Air Inlet Comp CNG	1	4S	C		43	M1200660	Crr Pan Head Screw M5X16	2	4S	A	
18	G4040850	Tube Inlet	1	4S	A		44	G4040510	Brkt Comp Airfilter SAI	1	4S	A	
19	G4041330	Tube Outlet CNG	1	4S	L/C		45	G4041150	Pipe Comp SAI	1	4S	A	
19A	G4040840	Tube Outlet	1	4S	P		46	M1200520	Hex Flange Bolt M6X16	1	4S	A	
20	G4041310	Sleeve Air Inlet	1	4S	A		47	N8040350	Hose Clip, Air Injection	2	4S	A	
21	G4041300	Water Collector Comp	1	4S	A		48	N8040370	Hose Clip, Vacuum	2	4S	A	
22	G4041190	Boot SAI Filter	1	4S	A		49	N9042160	Hose Clip Ø19	2	4S	A	
23	G4041390	Hose SAI Inlet	1	4S	A		50	R2040400	Hose Clamp Dia 12.5	6	4S	A	
24	G4040600	Hose Air Cut Valve	1	4S	A		51	G4040900	Cover Air Inlet	1	A	A	
25	G4041170	Hose Air Inlet	1	4S	A		52	0331718	CRPH Scr M5x16 6.8 ZNB	8	A	A	
25A	G4041960	HOSE AIR INLET SAI	1	4S	A								

\*\*A-Common 2 &amp; 4 stroke models, 4S -Only 4 stoke ,NS-Not serviceable, ALT/AT-Alternate number

\* A - All Variants, P - Petrol ES, L - LPG, C - CNG, LSM - LPG Single Mode, EXP - Export Only

# CARBURETOR ASSEMBLY

Figure 10



**FIG. NO. 10**
**CARBURETOR ASSEMBLY**

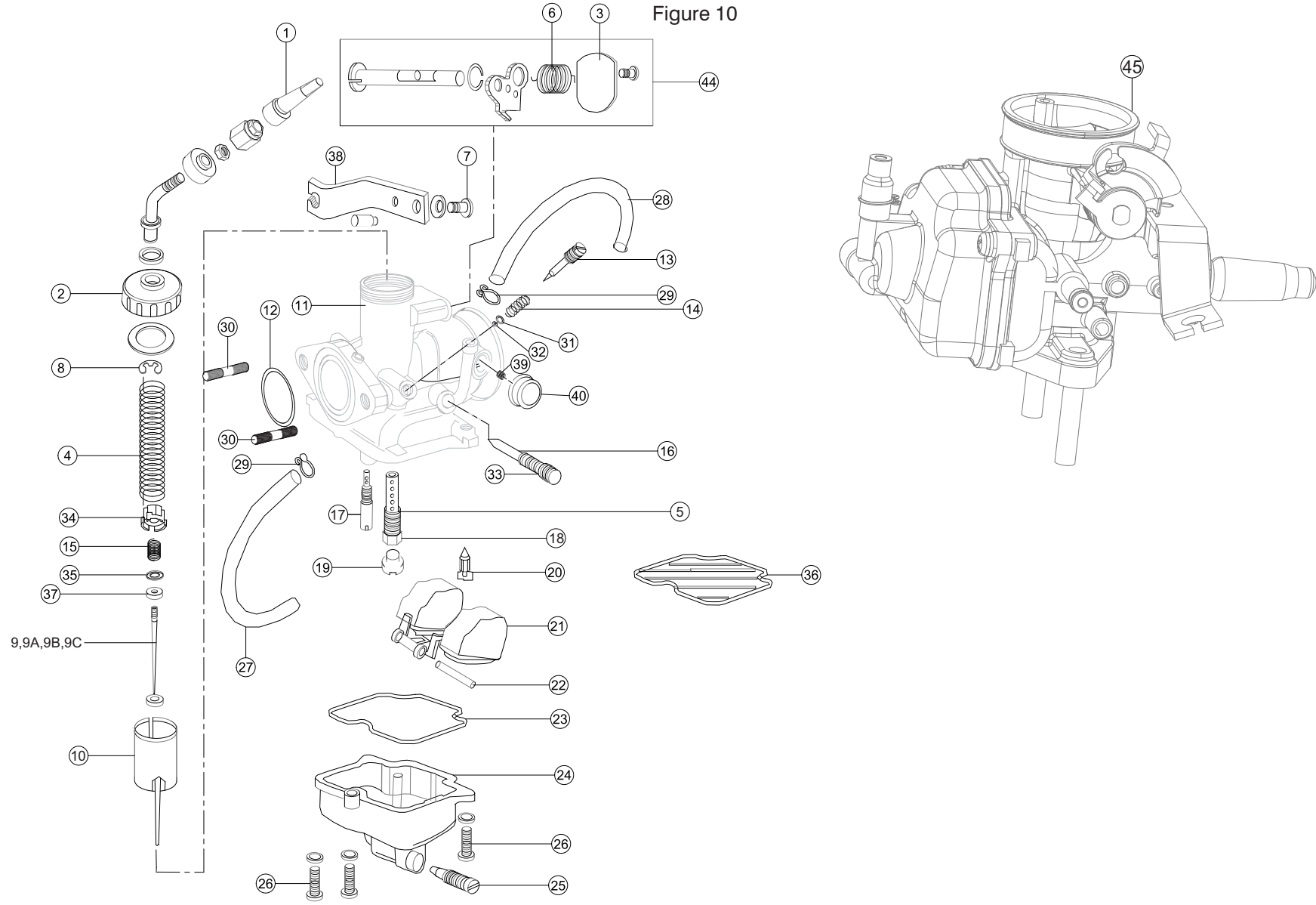
REF NO.	PART NO.	DESCRIPTION	QTY	MODEL **	VARIANT *	REMARKS	REF NO.	PART NO.	DESCRIPTION	QTY	MODEL **	VARIANT *	REMARKS
1	R1321670	MIXING CAP ASSY ( Throttle )	1	A	A	ALT-G2320770	15	N2320330	Spring, Jet Needle	1	A	A	
2	----	Mixing Cap Assy ( Throttle )	1	A	A	NS	16	G2320820	Idling Adjuster Screw	1	A	A	
3	G5320710	Choke Valve Assy	1	A	A		17	K3320340	Pilot Jet BSIII RP	1	4S	P/L	
4	G2320960	Spring Throttle	1	A	A		17A	R1320400	Pilot Jet ( Ni ) BSIII RP	1	4S	C	
5	G2320810	Needle Jet BSIII RP	1	A	2L/4P		17B	K3320340	Pilot Jet BSIV HP (Ni)	1	4S	P/ L/C	
5A	G4320110	Needle Jet (Ni) BSIII RP	1	A	2C/4L		18	G2320790	Jet Holder	1	A	2A/4L/C	
5B	G4320310	Needle Jet (Ni) BSIII RP	1	4S	C		18A	N2320250	Jet Holder ( Ni )	1	4S	P	
5C	R1320430	Needle Jet BSIV HP (Ni)	1	4S	P/L/C		19	G2320800	MAIN JET	1	A	2L/4P	ALT-R1320410
6	G2320890	Spring Lever Return	1	A	A		19A	G4320100	MAIN JET UCAL (NIL) BS III	1	4S	P	
7	N5320340	Screw Assy ( Choke Lever )	1	A	A		19B	G4322560	Main Jet UCAL ( Ni ) BSIV HP	1	4S	L/C	
8	N2320340	E-Ring, Jet Needle	1	A	A		19C	G5320480	Main Jet UCAL ( Ni ) BS III RP	1	A	2C/4C	
9	N2320270	Jet Needle BSIII RP	1	4S	P		20	K3320320	NEEDLE ASSY	1	A	A	
9A	G4320120	Jet Needle BSIII RP	1	4S	L/C		21	N4320570	Float Assembly	1	A	A	
9B	G4322570	Jet Needle BSIV HP	1	4S	L/C		22	N2320510	Float Pin	1	A	A	
9C	G4322640	Jet Needle BSIV HP	1	4S	P		23	G2320740	Seal ( Ni )	1	A	A	
10	G2320750	Piston Valve	1	A	2L/4P		24	G2320730	Float Body Assembly	1	A	A	
10A	G4320090	Piston Valve ( Ni )	1	4S	L/C		25	N2320310	Drain Screw	1	A	A	
10B	G4320300	Piston Valve ( Ni )	1	4S	LSM		26	K3320530	Float Body Fixing Screw	3	A	A	
11	---N.S---	Mixing Body Assembly	1	A	A		27	K3320540	Hose Drain	1	A	A	
12	N2320570	O-Ring, Mixing Body	1	A	A		28	N5320230	Hose air Vent	1	A	A	
13	G4320140	Air Screw	1	4S	A		29	N5320400	Hose Clip	2	A	A	
14	K3320510	Spring Air Adjuster	1	A	A		30	K3320480	Stud	2	4S	A	

\*\*A-Common 2 &amp; 4 stroke models, 4S -Only 4 stoke ,NS-Not serviceable, ALT/AT-Alternate number

\* A - All Variants, P - Petrol ES, L - LPG, C - CNG, LSM - LPG Single Mode, EXP - Export Only

# CARBURETOR ASSEMBLY

Figure 10



**FIG. NO. 10**
**CARBURETOR ASSEMBLY**

REF NO.	PART NO.	DESCRIPTION	QTY	MODEL **	VARIANT *	REMARKS	REF NO.	PART NO.	DESCRIPTION	QTY	MODEL **	VARIANT *	REMARKS
31	N2320420	O-RING	1	A	A	ALT-K3320490							
32	K3320500	E Washer Air Screw	1	A	A								
33	K3320400	Spring Idling Adjuster Co	1	A	A								
33A	G2320960	Spring Idling Adjuster Co ( Ni )	1	A	A								
34	N2320610	Holder Needle Jet	1	A	A								
35	N2320630	Washer, Jet Needle	1	A	A								
36	G4320180	Bottom Cover Single Mode	1	4S	LSM								
37	R1321530	Ring (Shim)	1	A	A								
38	G2020840	Bracket Choke Cable	1	A	A								
39	G2320850	Spring Valve Return	1	A	A								
40	G2320830	Cap Spring Choke Shaft	1	A	A								
41	G4320170	Carburetor Assy 4S (Ni)	1	4S	LSM								
42	G4040620	Carburetor Assy 4S (Ni) BSIII RP	1	4S	L/C								
42A	G4041340	Carburetor Assy 4S (Ni) BSIV HP	1	4S	L/C	LPG							
43	G4040280	Carburetor Assy 4S (Ni) BSIII RP	1	4S	P								
43A	G4041520	Carburetor Assy 4S (Ni) BSIV RP	1	4S	P								
43B	----	Carburetor Assy 4S (Ni) BSIV HP	1	4S	P	NS							
43C	G4041370	Carburetor Assy 4S (Ni) BSIV EXP	1	4S	P-EXP	BSIII							
44	G2320900	Lever Assy	1	4S	A								
45	G4041490	CARBURETTOR PETROL	1	4S	P								

\*\*A-Common 2 &amp; 4 stroke models, 4S -Only 4 stoke ,NS-Not serviceable, ALT/AT-Alternate number

\* A - All Variants, P - Petrol ES, L - LPG, C - CNG, LSM - LPG Single Mode, EXP - Export Only

# MUFFLER ASSEMBLY

Figure 11

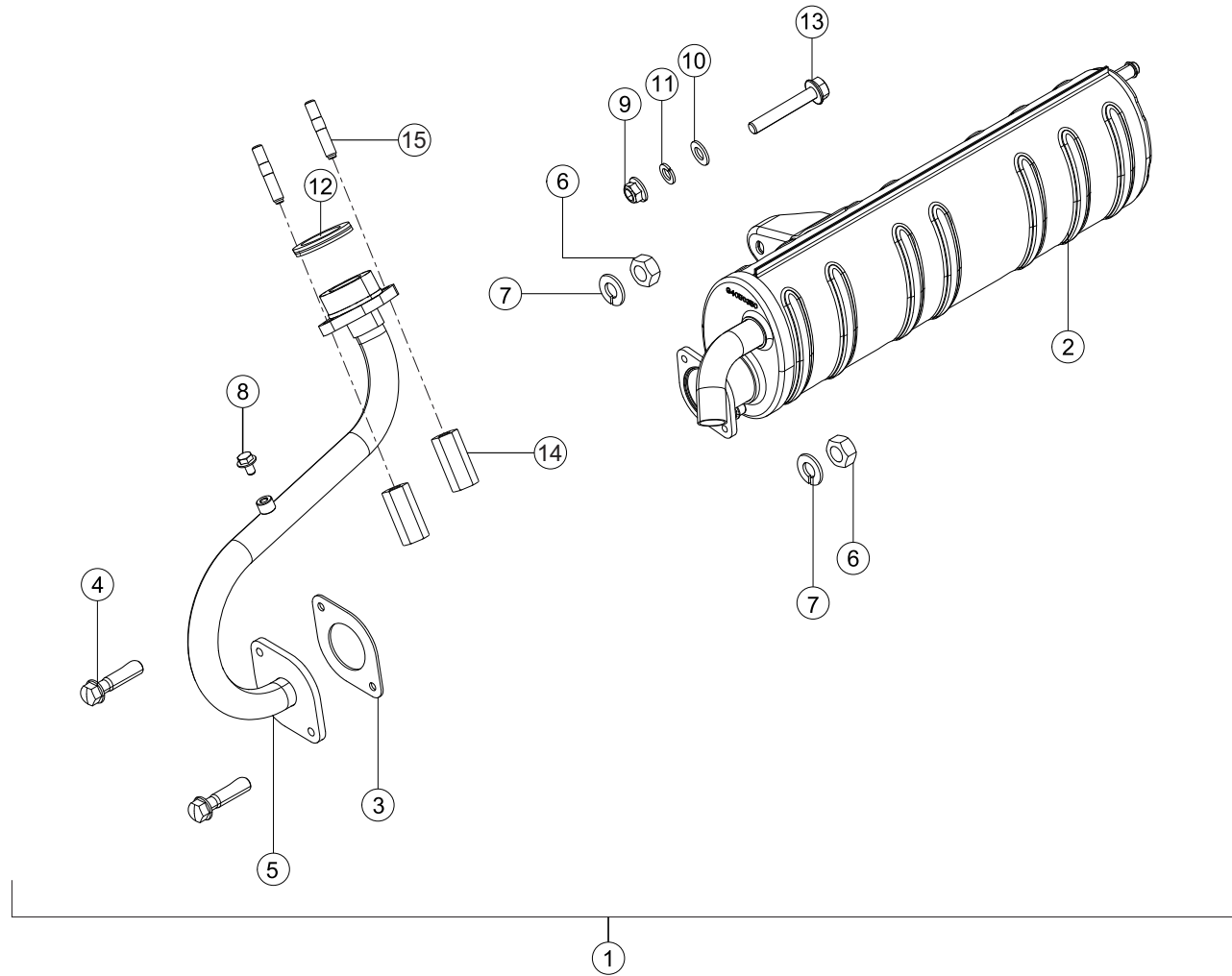




FIG. NO. 11

**MUFFLER ASSEMBLY**

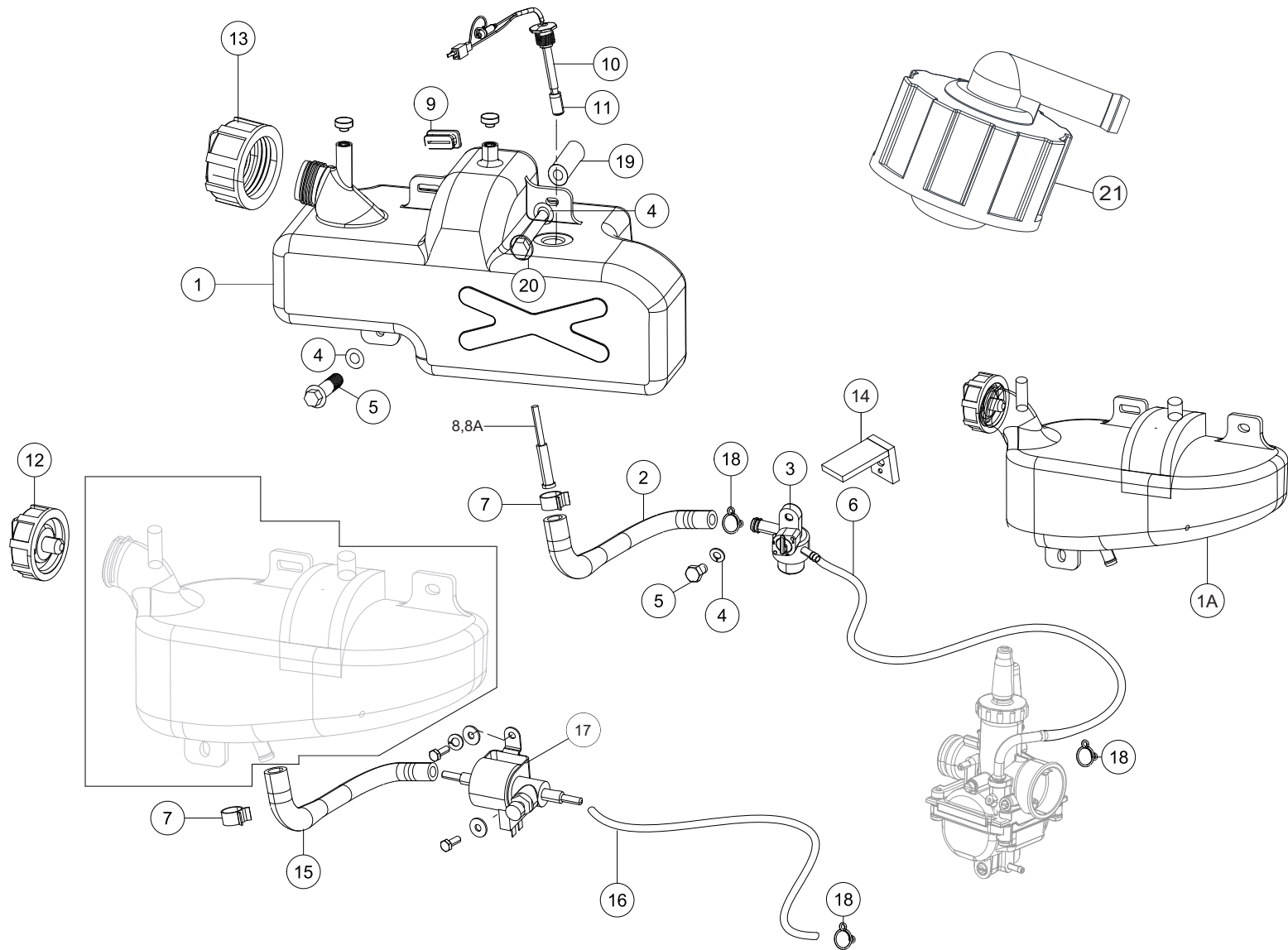
REF NO.	PART NO.	DESCRIPTION	QTY	MODEL **	VARIANT *	REMARKS	REF NO.	PART NO.	DESCRIPTION	QTY	MODEL **	VARIANT *	REMARKS
1	G4050440	4 S Muffler Comp, Air Cooled (Dom) BSIV	1	4S	A								
1A	G4050390	MUFFLER COMP 4S (EXPORT) (NIL)	1	4S	P/C								
2	G4050569	Body Comp Exhaust BSIV	1	4S	A	ALT-G4050440							
3	G4050380	Gasket Muffler 4S All	1	4S	A								
4	M1200510	Hex Flange Bolt M6 X 25	2	4S	A								
5	G4050259	Pipe Comp, Air Cooled BSIII	1	4S	A								
5A	G4050459	PIPE EXHAUST (Dimension change)	1	4S	A								
6	420305700	Hex Nut M6 8	2	4S	A								
7	0330408	Wave Spring Washer M6	2	A	A								
8	R1200500	HEX SCREW M6X12 8.8 ZNB	1	4S	A	ALT-420452700							
9	M1200890	U Nut M8X1.2 Muffler Mtg	2	A	A								
10	0336018	PUNCHED WASHER 8.5 x 20 x 2	2	A	A	ALT-G5200400							
11	0330318	Wave Spring Washer M8 Muffler Mtg	2	A	A								
12	N9053170	Gasket Muffler Exhaust Port 4 S	1	4S	A								
13	M1200840	Hex Flange Bolt M8X50 Muffler Mtg	1	A	A								
14	G2200780	Hex Nut, M8, SPL	2	A	A								
15	G2201140	Stud Bolt M8	2	A	A								

\*\*A-Common 2 & 4 stroke models, 4S -Only 4 stoke ,NS-Not serviceable, ALT/AT-Alternate number

\* A - All Variants, P - Petrol ES, L - LPG, C - CNG, LSM - LPG Single Mode, EXP - Export Only

# FUEL TANK ASSEMBLY

Figure 12



**FIG. NO. 12**
**FUEL TANK ASSEMBLY**

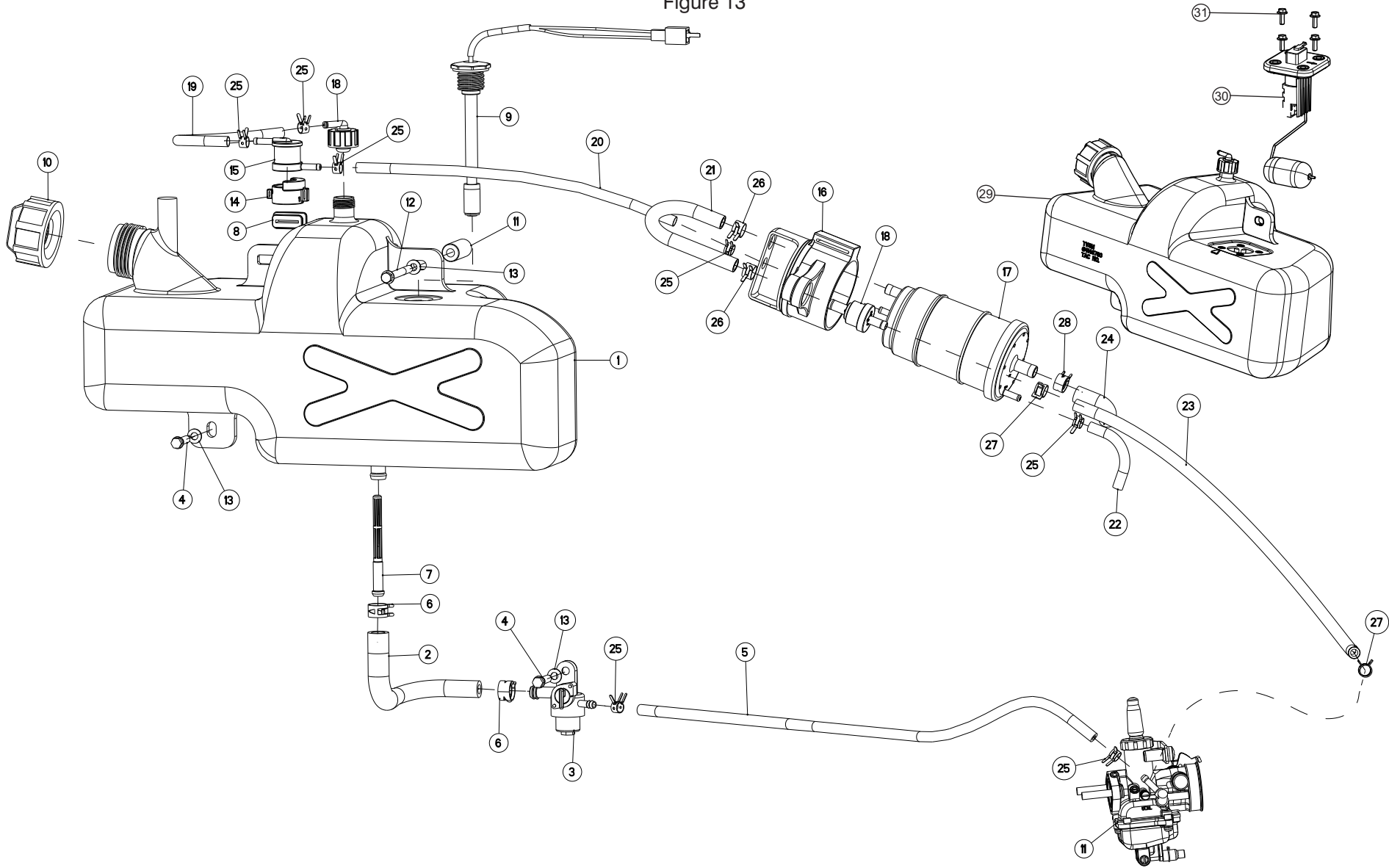
REF NO.	PART NO.	DESCRIPTION	QTY	MODEL **	VARIANT *	REMARKS	REF NO.	PART NO.	DESCRIPTION	QTY	MODEL **	VARIANT *	REMARKS
1	G5141760	Fuel Tank Assy 8 Ltrs BSIII	1	A	P								
1A	G5141750	Fuel Tank Assy 3L	1	A	L/C								
2	G5140070	Hose Fuel Tank Petrol 2S & 4S	1	A	P								
3	G5140330	Fuel Cock Assy	1	A	P								
4	G5200300	Punched Washer Fuel Cock Mtg	4	A	P								
5	M1200510	Hex Fl Bolt M6 X 25 Fuel Cock	3	A	P								
6	G5140060	Hose Fuel Cock Out Let 2S & 4S	1	A	P								
7	K140820	Hose Clip	2	A	A								
8	K140460	Filter Fuel Tank Outlet	1	A	A								
8A	R1140410	FUEL FILTER	1	A	A								
9	G5140380	Grommet Fuel Tank	1	A	A								
10	G4160290	Fuel warning switch 8 lits.	1	A	P								
11	G5320570	Float, Fuel Warning Switch	1	A	A								
12	G5141880	Cap Assy Fuel Tank 3 Ltr	1	A	P								
13	G5140680	Cap Assy Fuel Tank 8 Ltr	1	A	P								
14	G5140460	Bracket Fuel Tank 8 Ltr Tank Mtg	1	A	P								
15	G5140400	Hose Fuel Tank LPG /CNG 2S & 4S	1	A	L/C								
16	G5140410	Hose Solenoid LPG /CNG 2S & 4S	1	A	L/C								
17	G4160420	Petrol Solenoid Valve LPG	1	A	L								
17A	G5141040	Petrol Solenoid Valve CNG (Ni)	1	A	C								
18	414147000	Hose Clip Fuel Tank	2	A	A								
19	G5140620	Bush, Fuel Tank 8 Ltr	1	A	P								
20	R1200180	Hex Flange Bolt M6 X 60 8 Ltr Tank Mtg	1	A	P								
21	G4140660	BREATHER ASSY	1	A	A	ISG							

\*\*A-Common 2 &amp; 4 stroke models, 4S -Only 4 stoke ,NS-Not serviceable, ALT/AT-Alternate number

\* A - All Variants, P - Petrol ES, L - LPG, C - CNG, LSM - LPG Single Mode, EXP - Export Only

# FUEL TANK & CANISTER SYSTEM - BSIV

Figure 13



**FIG. NO. 13**
**FUEL TANK & CANISTER SYSTEM - BSIV**

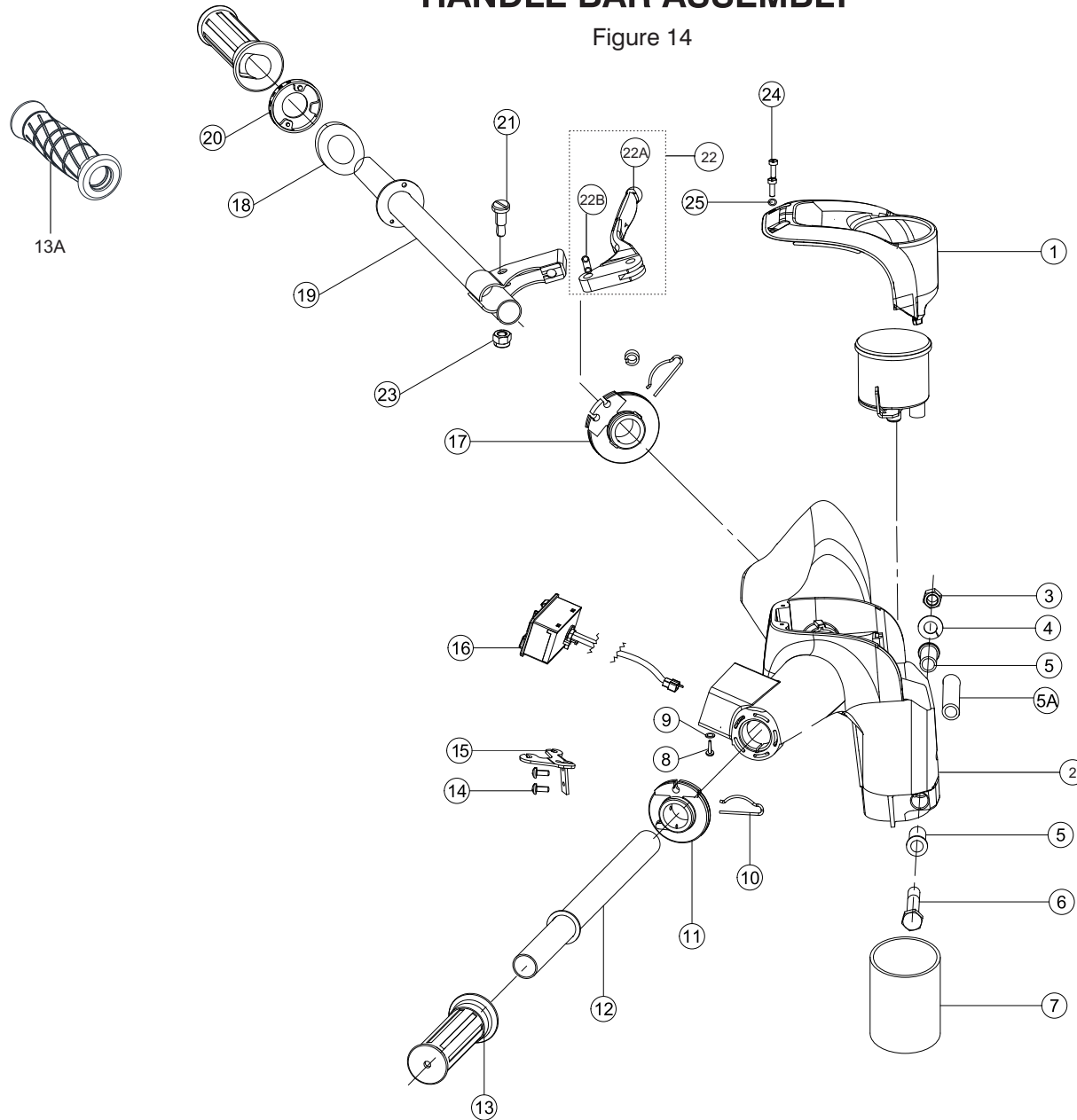
REF NO.	PART NO.	DESCRIPTION	QTY	MODEL **	VARIANT *	REMARKS	REF NO.	PART NO.	DESCRIPTION	QTY	MODEL **	VARIANT *	REMARKS
1	G4140630	Fuel Tank Assy - Fuel Warning Switch	1	4S	P		24	N9141650	Hose Air Inlet	1	4S	P	
2	G5140070	Hose Fuel Tank Petrol 2S & 4S	1	4S	P		25	N8040370	Hose Clip Vacuum	7	4S	P	
3	G5140330	Fuel Cock Assy	1	4S	P		26	R1040460	Clamp Breather Hole	2	4S	P	
4	M1200510	Hex Flange Bolt M6X25	2	4S	P		27	N4200130	Hose Clamp	2	4S	P	
5	G5140060	Hose Fuel Cock Petrol 2S & 4S	1	4S	P		28	R2040400	Hose Clip Dia 12.5	1	4S	P	
6	K140820	Hose Clip	2	4S	P		29	G4140630	Fuel Tank Assy - Fuel Sender Unit BSIV	1	4S	P	
7	R1140410	Fuel Filter	1	4S	P		30	G4161040	Fuel Sender Unit	1	4S	P	
8	G5140380	Grommet Fuel Tank	1	4S	P		31	R1200380	Hx. Flange Bolt M5X14	4	4S	P	
9	G4160290	Fuel Warning Switch 8 Lits	1	4S	P								
10	G5140680	Cap Assy Fuel Tank 5ltr	1	4S	P								
11	G5140620	Bush, Fuel Tank 8 Ltr	1	4S	P								
12	R1200180	Hex Fl Bolt M6X60 Cr. Case L&R	1	4S	P								
13	P1200050	Wave Spring Washer 6.5	3	4S	P								
14	N9141990	Boot Roll Over Valve	1	4S	P								
15	N9141640	Roll Over Valve	1	4S	P								
16	G4140750	Boot Canister	1	4S	P								
17	N9141430	Canister Comp.	1	4S	P								
18	N9141630	Purge Valve	1	4S	P								
19	G4140670	Hose Tank To Roll Over Valve	1	4S	P								
20	G4140680	Hose Roll Over Valve Canister	1	4S	P								
21	G4140690	Hose Canister To Purge Valve	1	4S	P								
22	G4140710	Drain Hose Canister	1	4S	P								
23	G4140730	Hose Purge Valve	1	4S	P								

\*\*A-Common 2 &amp; 4 stroke models, 4S -Only 4 stoke ,NS-Not serviceable, ALT/AT-Alternate number

\* A - All Variants, P - Petrol ES, L - LPG, C - CNG, LSM - LPG Single Mode, EXP - Export Only

# HANDLE BAR ASSEMBLY

Figure 14



**FIG. NO. 14**
**HANDLE BAR ASSEMBLY**

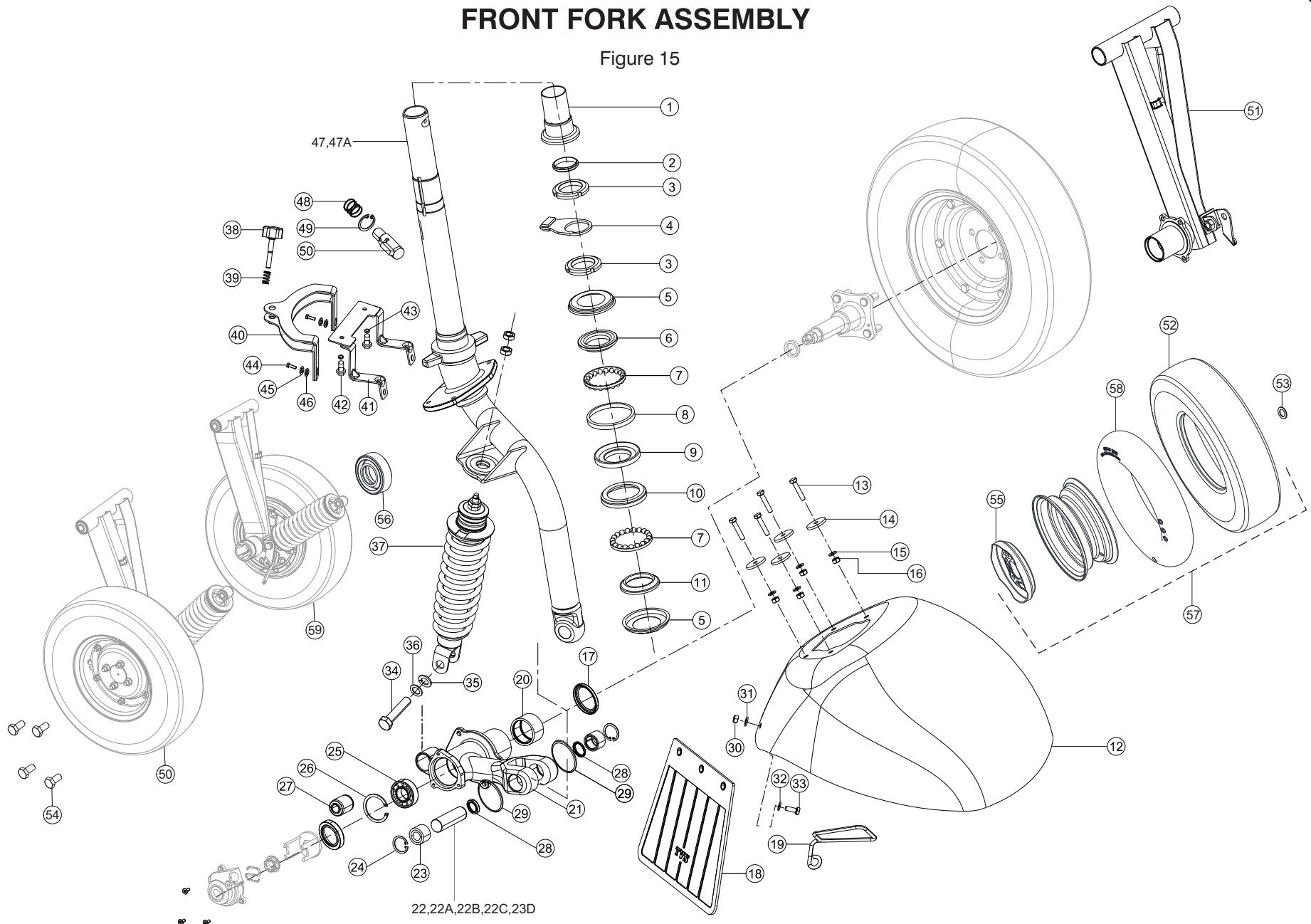
REF NO.	PART NO.	DESCRIPTION	QTY	MODEL **	VARIANT *	REMARKS	REF NO.	PART NO.	DESCRIPTION	QTY	MODEL **	VARIANT *	REMARKS
1	G51501300D	Cover Handle Bar – Black	1	A	A		22A	G5150110	Lever, Clutch	1	A	A	ALT-G4150050
2	G5150200	HANDLE BAR DIE CAST	1	4S	A	ALT-G5150010	22B	G5150580	Bush Clutch Lever Assy	1	A	A	
3	G5200410	HEX NUT M10 8 ZNG	1	A	A	ALT-K200160	23	409047000	Nylon Lock Nut M6	1	A	A	
4	0335678	Wave Spring Washer Handle Bar Mtg	1	A	A		24	420957700	Philips Hd Screw M4 Cover Handlebar Mtg	2	A	A	
5	G5150350	Bush, Cross Bolt Handle Bar Mtg	1	4S	A	ALT-G4150040	25	0336088	Punched Washer Cover Handlebar Mtg	1	A	A	
6	G2200060	Hex Bolt M10X80 Handle Bar Mtg	1	A	A								
7	G5150530	SLEEVE STEERING COLUMN	1	A	A								
8	0331708	CRPH Scr M5X12 6.8 Handle Bar Switch	1	A	A	ISG/CNG/LPG							
9	G5200340	Punched Washer Handle Bar Switch	1	A	A								
10	G5150230	Wire clip	2	A	A								
11	G5150240	Pulley Throttle	1	A	A								
12	G5150160	Tube Comp Throttle - Old	1	A	A	ALT-G4150220							
13	P150330	Grip LH & RH - Old	2	A	A								
13A	G5150540	GRIP	2	A	A								
14	N8200080	Crr Pan Head Screw M5X10	2	A	A								
15	G7150050	Bracket Comp Cable Guide New	1	A	A								
16	G5160030	Switch Assy Handle Bar	1	A	A								
17	G5150210	Handle Bar Pulley Gear Shift	1	A	A								
18	G4150060	Spacer Tube Gear Shift - Old	1	A	A								
19	G4150080	Tube Gear Shift Comp	1	A	A								
20	G5150090	Indicator Gearshift	1	A	A								
21	G3150250	Special Bolt M5 Clutch Lever Mtg	1	A	A								
22	G4150070	Lever Assy Clutch (Consists 22A + 22B)	1	A	A	ALT-G5150570							

\*\*A-Common 2 &amp; 4 stroke models, 4S -Only 4 stoke ,NS-Not serviceable, ALT/AT-Alternate number

\* A - All Variants, P - Petrol ES, L - LPG, C - CNG, LSM - LPG Single Mode, EXP - Export Only

# FRONT FORK ASSEMBLY

Figure 15





**FIG. NO. 15**
**FRONT FORK ASSEMBLY**

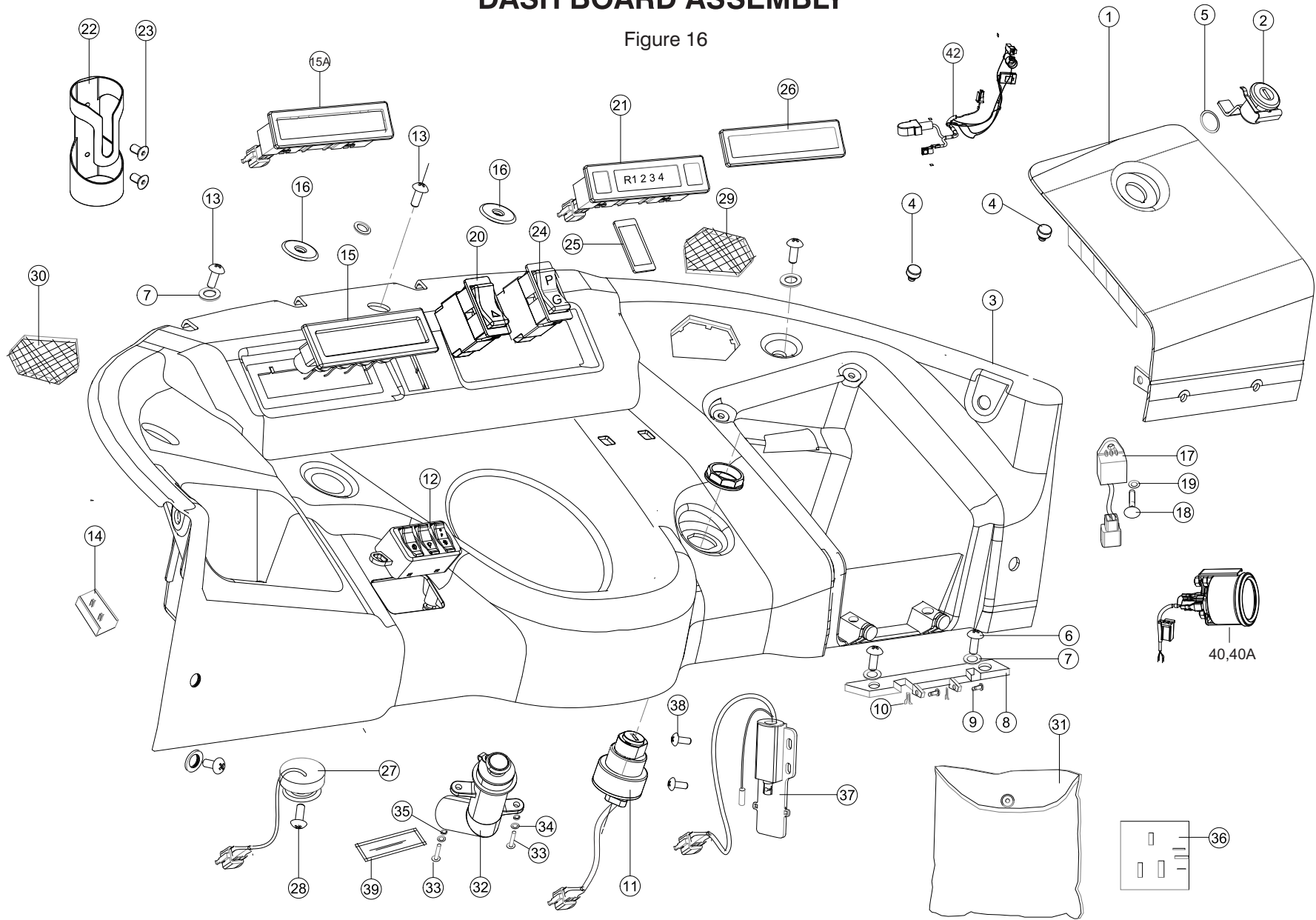
REF NO.	PART NO.	DESCRIPTION	QTY	MODEL **	VARIANT *	REMARKS	REF NO.	PART NO.	DESCRIPTION	QTY	MODEL **	VARIANT *	REMARKS
1	G5150530	Sleeve Steering Column	1	A	A		31	420001700	Punched Washer M6	2	A	A	
2	G4100030	Dust Seal Top	1	A	A		32	P1200050	Wave Spring Washer M6	2	A	A	
3	G5150290	Lock Nut M38X1.5 7mm	2	A	A		33	P1200070	Hex Screw M6x16	2	A	A	
4	G3150310	Friction Plate Assy	1	A	A		34	G2200170	Hex Bolt M12X1.75X55 Shock Absorber	1	A	A	
5	G2150070	Dust Cover Inner	2	A	A		35	A200190	Wave Spring Washer Shock Absorber	1	A	A	
6	G4100040	Inner Race, Top	1	A	A		36	420015700	Punched Washer Shock Absorber	1	A	A	
7	G2150110	Cage Assy, Bottom	2	A	A		37	G4100180	SHOCK ABSORBER ASSY FR	1	A	A	
8	G4100050	Insert Top	1	A	A		38	G3150390	Adjustor Bolt Damper Assy	1	A	A	
9	G4150170	Outer Race, Top	1	A	A		39	G3150400	Adjustor Spring Damper Assy	1	A	A	
10	G2150620	Outer Race Bottom	1	A	A		40	G4150180	Damper Handle Bar	1	A	A	
11	G2150080	Inner Race, Bottom	1	A	A		41	G5230280	Reinf Comp Dashboard	1	A	A	
12	G42210905	RFENDER FRONT PAINTED G YELLOW	1	A	A		42	G5200290	Hex Screw M5x 20 Rnf Dash Board	2	A	A	
13	G5200390	Hex Screw M6 X30 Front Fender	4	A	A		43	G5200340	Punched Washer 5.5 X 12 X 1 Rnf	2	A	A	
14	G5200170	PUNCHED WASHER 6.5x24.0x1.6 ZNC	4	A	A	ALT-0335876	44	420462700	Hex Screw M6 Rnf Bracket	2	A	A	
15	P1200050	Wave Spring Washer M6 Front Fender	4	A	A		45	P1200050	Wave Spring Washer M6 Zng	2	A	A	
16	P1200060	Hex Nut M6 Zng Front Fender	4	A	A		46	0335928	Punched Washer 6.5x18.0x1.6	2	A	A	
17	G5200560	Dust Seal Needle Bearing Trailing Arm	1	A	A		47	G2150010	Steering Column	1	A	A	
18	G5221660	Mud Flap	1	A	A		47A	G4150800	steering column	1	A	CNG	
19	G4150270	Guide, Speedo Cable New	1	A	A		48	G3120970	Spring Handle Bar Lock	1	A	A	
20	G2200680	Needle Bearing 35 X 43 X 24 Trailing Arm	1	A	A		49	G3200030	Circlip 12X1N	1	A	A	
21	G2100210	Trailing Arm Front	1	A	A		50	----	REAR TRAILING ARM ASSY L	1	A	A	
22	G2100170	Pivot Pin Front	1	A	A		51	G2090210	REAR TRAILING ARM KIT ASSY L	1	A	A	ALT-G5320530
22A	G4321870	Pivot Pin Front 1st Over Size	1	A	A		52	G2111140	TYRE ( FR & RR ) 3W 4.00 X 8	1	A	A	ISG/CNG/LPG
22B	G4321880	Pivot Pin Front 2nd Over Size	1	A	A		53	420015700	PUNCHED WASHER 12.5x20x1.2	1	A	A	
22C	G4321890	Pivot Pin Front 3rd Over Size	1	A	A		54	42047700	HEX SCREW M8X16	4	A	A	
22D	G4321900	Pivot Pin Front 4th Over Size	1	A	A		55	G4110420	WHEEL RIM 8 400 COLLAR	1	A	A	
23	G2200570	Needle Bearing 20X26X12	2	A	A		56	N3170080	SEAL COMP SPEEDO CABLE	2	A	A	
24	G2200660	Internal Circlip	2	A	A		57	G4110410	WHEEL ASSY	1	A	A	
25	G2200440	Ball Bearing 20X42X12	1	A	A		58	G4110620	TUBE	1	A	A	
26	K200060	Circlip 42X1.75 N	1	A	A								
27	G2100200	Silent Block Trailing Arm Front	1	A	A								
28	G5100030	Dust Seal Pivot Pin Front	2	A	A								
29	G51000100	Ring Steering Column Mtg	2	A	A								
30	P1200060	Hex Nut M6	2	A	A								

\*\*A-Common 2 &amp; 4 stroke models, 4S -Only 4 stoke ,NS-Not serviceable, ALT/AT-Alternate number

\* A - All Variants, P - Petrol ES, L - LPG, C - CNG, LSM - LPG Single Mode, EXP - Export Olnly

# DASH BOARD ASSEMBLY

Figure 16



**FIG. NO. 16**
**DASHBOARD ASSEMBLY**

REF NO.	PART NO.	DESCRIPTION	QTY	MODEL **	VARIANT *	REMARKS	REF NO.	PART NO.	DESCRIPTION	QTY	MODEL **	VARIANT *	REMARKS
1	G52301400D	Lid Dashboard-Black	1	A	A		14	G4160250	Connector Mode Selection	1	4S	LSM	
1A	G4222890	LID PANEL Rh	1	D+	P/L/C		15	G5160210	Tell Tale Lamp Cluster - Petrol	1	A	P	
1B	G422880	LID PANEL Lh	1	D+	P/L/C		15A	G3160610	Tell Tale Lamp Cluster LPG/CNG / P BSIV	1	A	P/L/C/LS	
2	G5230410	Lock Assy Lid Dashboard	1	A	A		16	G5230180	Grommet Dashboard	2	A	A	
3	G52301500D	Dashboard - Black	1	A	A		17	G2160450	Electronic Flasher Unit	1	A	A	
3A	G4223550	DASHBOARD (NIL)	1	A	A		18	G5200350	Crr Pan Head Screw M5 X 16 Flasher Mtg	1	A	A	
3B	G4222790	DASHBOARD ASSY.	1	D+	P/L/C		19	G5200340	Punched Washer 5.5 X 12 X 1 Flasher Mtg	1	A	A	
3C	G4223560	DASHBOARD ASSY. ANALOGUE (NIL)	1	D+	A		20	G5160140	Hazard Warning Switch	1	A	A	
4	G5230190	Cushion Lid	2	A	A		21	G5160790	Gas Level Indicator LPG/CNG 4S.	1	A	L/C	I/C/L
5	G5121830	O-Ring 1.8X15 Lid Dash Board Lock Mtg	1	A	A		22	G5300040	Holder Magazine	1	A	A	
6	G5200350	Crr Pan Head Screw M5 X 16 Lid Mtg	2	A	A		23	0332038	Crph Screw M5 X 45 Holder Magazine	2	A	A	
7	G5200300	Punched Washer 5.5 Lid Mtg & Dash Mtg	6	A	A		24	G3160550	Change over Switch Petrol / Gas	1	4S	C	CNG/LPG
8	G5230330	Hinge Plate Lid	1	A	A		25	G5230300	Dummy Plug Gas Change Over Switch	2	A	P/LSM	
8A	G4220850	HINGE LID PANEL	1	D+	P/L/C		26	G5230290	Dummy Plug Gas Indicator	1	A	P	
8B	G4221240	HINGE LID PANEL L	1	D+	P/L/C		27	G5160450	3W Electronic Beeper	1	A	A	
9	G5230320	Pin Hinge	2	A	A		28	K200300	Crr Pan Hd Tap Scr St3.5X16 Beeper Mtg	1	A	A	
10	0331580	Split Pin	2	A	A		29	G52303800D	Speaker Grill Rh - Black	1	A	A	
11	G5320370	Lock Assy Ignition BSIII	1	A	A		29A	G4222910	SPEAKER GRILL Rh	1	D+	P/L/C	
11A	G4161010	Lock Assy Ignition BSIV (Ni)	1	A	A		30	G52303700D	Speaker Grill Lh - Black	1	A	A	
12	G5160010	Switch Assy Dash Board	1	A	A								
13	0332275	Screw - Crph M6X16 6.8 Dash Board Mtg	6	A	A								

\*\*A-Common 2 &amp; 4 stroke models, 4S -Only 4 stoke ,NS-Not serviceable, ALT/AT-Alternate number

\* A - All Variants, P - Petrol ES, L - LPG, C - CNG, LSM - LPG Single Mode, EXP - Export Only

# DASH BOARD ASSEMBLY

Figure 16

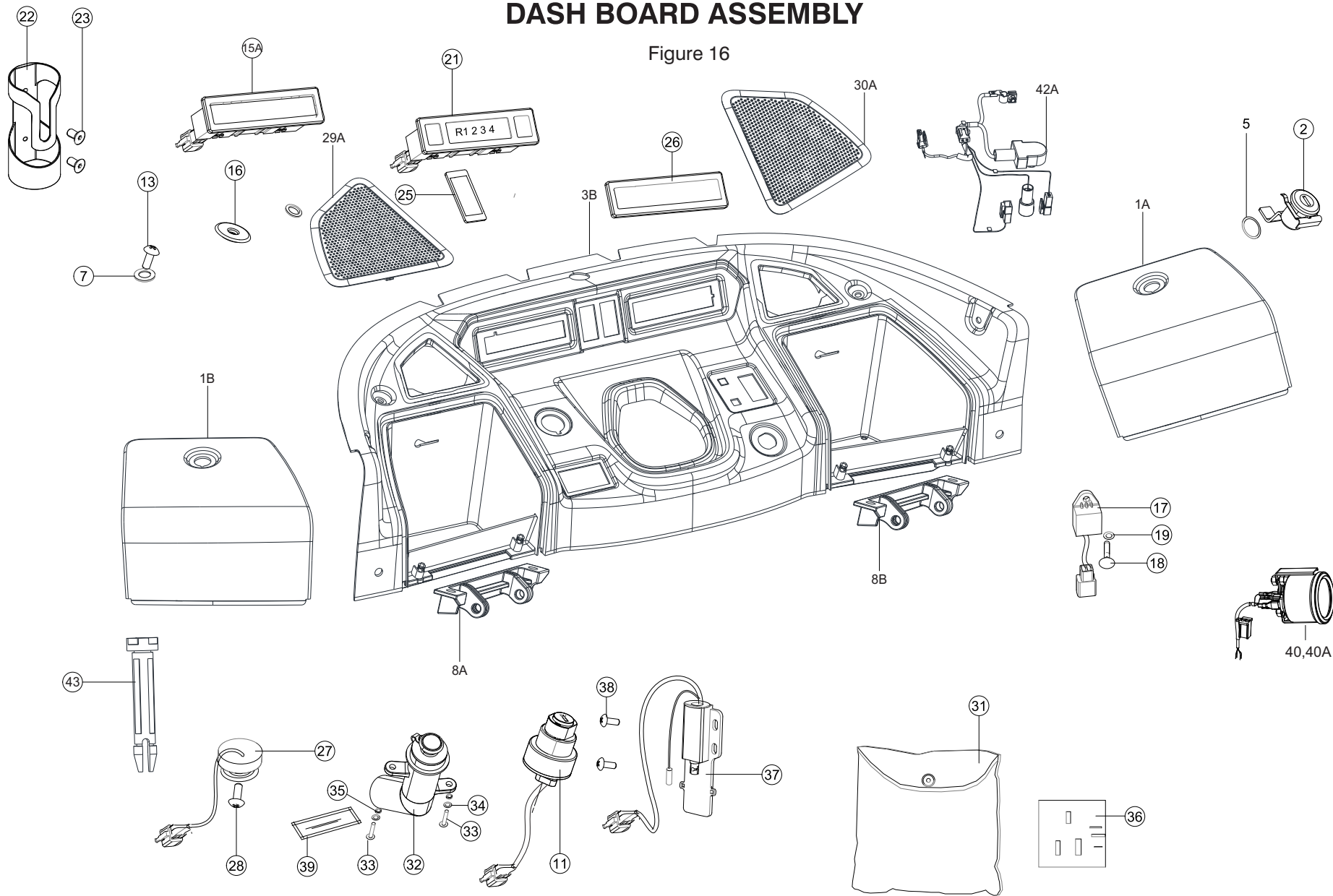


FIG. NO. 16

**DASHBOARD ASSEMBLY**

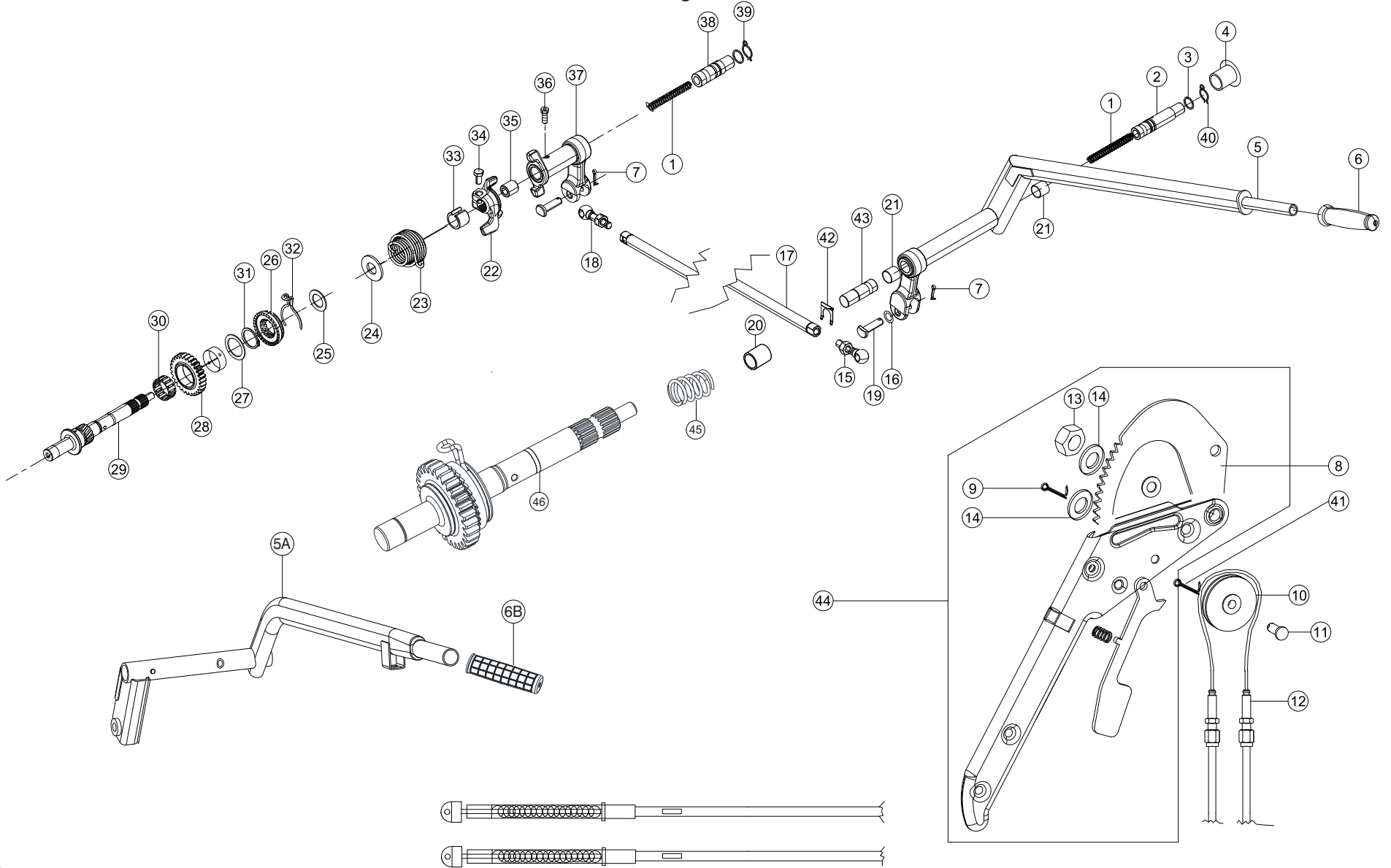
REF NO.	PART NO.	DESCRIPTION	QTY	MODEL **	VARIANT *	REMARKS	REF NO.	PART NO.	DESCRIPTION	QTY	MODEL **	VARIANT *	REMARKS
31	G4210110	Toolkit 4S	1	4S	A								
32	G5161110	Socket Mobile Charger	1	A	A								
33	G5200350	Crr Pan Head Screw M5 X 16 Mob Cha	2	A	A								
34	G5200340	Punched Washer 5.5 X 12 X 1 Mob Cha	2	A	A								
35	0330308	Wave Spring Washer M5 Mob Charger	2	A	A								
36	G5210330	Sticker Tyre Rotation	1	A	A								
37	N4160180	Throttle Potentio Meter	1	4S	A								
38	8200120	Crph Tapping Screw M5X12 Tps Mtg	2	4S	A								
39	G5210350	Sticker Electric Start	1	A	A								
40	G4161120	Fuel Gauge Unit	1	4S	P								
40A	G4162310	Analog fuel gauge	1	4S	P	ISG							
41	G4210360	Lock Set BSIV (Ni)	1	4S	A								
42	G4162530	CORDSET EXP	1	A	EXP	ISG							
42A	G4161850	ISG cord set with 60A fuse	1	A	EXP	ISG							
43	G4221210	BUSH PANEL	4	D+	P/L/C								

\*\*A-Common 2 & 4 stroke models, 4S -Only 4 stoke ,NS-Not serviceable, ALT/AT-Alternate number

\* A - All Variants, P - Petrol ES, L - LPG, C - CNG, LSM - LPG Single Mode, EXP - Export Olnly

# HAND STARTER & PARKING BRAKE MECHANISM

Figure 17



**FIG. NO. 17**
**HAND STARTER AND PARKING BRAKE MECHANISM**

REF NO.	PART NO.	DESCRIPTION	QTY	MODEL **	VARIANT *	REMARKS	REF NO.	PART NO.	DESCRIPTION	QTY	MODEL **	VARIANT *	REMARKS
1	G5121640	Spring H/S Pin Front & Rear	2	A	A		22	G2081800	Dog Driven	1	A	A	
2	G5121660	Support LH Front H/S	1	A	A		23	G2082260	Spring Hand Start	1	A	A	
3	G5121830	O-Ring 1.8X15	2	A	A		24	G2200990	Punched Washer 18X39X3	1	A	A	
4	G5124040	Hand Starter Bush Front LH Black	1	A	A		25	G2200530	Shim 20X32X1.5	1	A	A	
5	G5120840	Hand Lever Comp	1	A	A		26	G2082210	Ratchet Hand Start	1	A	A	
5A	G4123810	Hand Lever Comp(profile modified)	1	A	A		27	G2200970	Shim 28X38X1.0	1	A	A	
6	G5120680	Grip Hand Start	1	A	A		28	G2082200	Gear Hand Start	1	A	A	
6A	G5121680	Grip Hand Start	1	A	A		29	G2082190	Shaft Hand Start	1	A	A	
6B	G4123840	Grip Hand Start (profile modified)	1	A	A		30	G2201100	Needle Cage 28X33X13	1	A	A	
7	0330028	Split Pin 3.2X25	1	A	A		31	G2200980	Circlip	1	A	A	
8	G2110770	Ratchet Parking Brake	1	A	A		32	G2082220	Spring Ratchet Hand Start	1	A	A	
9	0330038	Split Pin Ratchet	2	A	A		33	G2082230	Spacer Hand Start	1	A	A	
10	G2110790	Pulley Parking Brake	1	A	A		34	0330308	Hex Bolt M8X1.25X25 Mtg Dog Driven	1	A	A	
11	G2110940	Pin Parking Brake	1	A	A		35	G5121630	Isolator H/S	1	A	A	
12	G5170070	Parking Brake Cable Assy	1	A	A		36	G5121850	Grease Nipple M6	1	A	A	
13	0334548	Hex Nut M8 8Levr Parking Brake Mtg	1	A	A		37	G5120990	Shaft Comp Rear, H/S	1	A	A	
14	G5200400	Punched Washer Parking Brake Mtg	2	A	A		38	G5121650	Support Shaft H/S	1	A	A	
15	G5120970	Eye Bolt Rh With Nut	1	A	A		39	G5121700	Spring Clip Rear H/S	1	A	A	
16	G5230440	Washer, Hand Start	4	A	A		40	G5121710	Spring Clip Front H/S	1	A	A	
17	G5120920	Link Assy H/S	1	A	A		41	0330048	Split Pin Pulley	1	A	A	
18	G5120980	Eye Bolt Lh With Nut	1	A	A		42	G5123160	Spring Clip H/S Front	1	A	A	
19	G2201030	Pin Hand Starter	2	A	A		43	G5121670	Support Rh Front H/S	1	A	A	
20	G5124050	Hand Starter Bush Front Rh Red Small	1	A	A		44	G2110750	Assy Parking Brake	1	A	A	
21	G5122710	Sleeve Bearing Hand Starter Rear	3	A	A		45	G2110780	Spring Lever Parking Brake	1	A	A	
							46	G2082180	HANDSTARTER	1	A	A	ISG/CNG/LPG

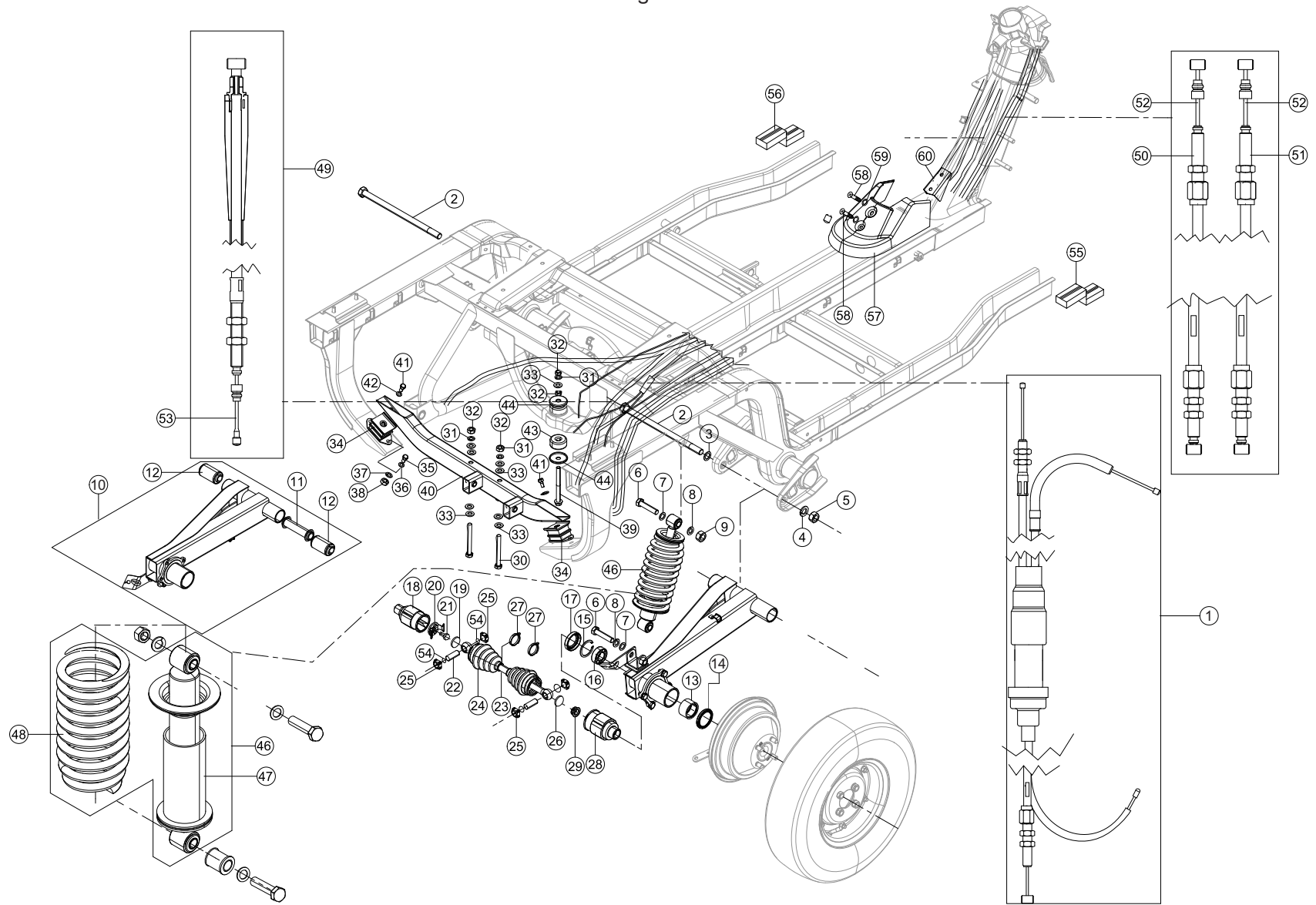
\*\*A-Common 2 &amp; 4 stroke models, 4S -Only 4 stroke ,NS-Not serviceable, ALT/AT-Alternate number

\* A - All Variants, P - Petrol ES, L - LPG, C - CNG, LSM - LPG Single Mode, EXP - Export Only



# TRANSMISSION & CONTROLS UNITS

Figure 18





**FIG. NO. 18**
**TRANSMISSION AND CONTROL UNITS**

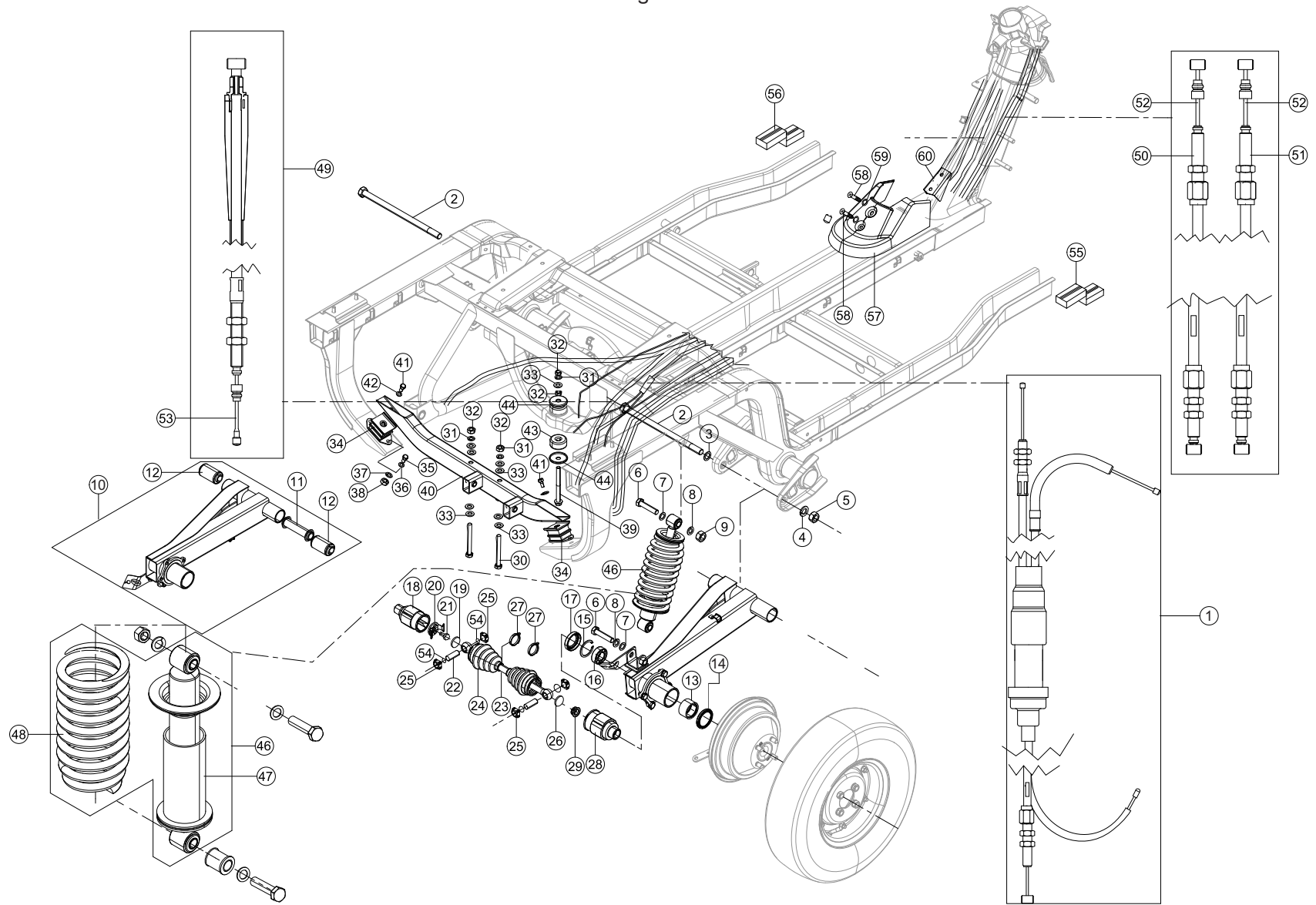
REF NO.	PART NO.	DESCRIPTION	QTY	MODEL **	VARIANT *	REMARKS	REF NO.	PART NO.	DESCRIPTION	QTY	MODEL **	VARIANT *	REMARKS
1	G4170020	Cable Throttle Assy With TPS	1	4S	A		22	G2080030	Pin Propeller Shaft	4	A	A	
1A	G4170190	Cable Throttle Assy W/O TPS (Ni)	1	4S	A		23	G2080010	Propeller Shaft With Pin (Ni)	2	A	A	
2	G2200160	Trailing Arm Bolt M14X245	2	A	A		24	G2081920	Bellow Propeller Shaft	4	A	A	
3	0335698	Punched Washer 14.5X22	2	A	A		25	G2080040	Slider Block	8	A	A	
4	G2200210	Spring Washer M14	2	A	A		26	G5080320	Buffer Wheel Side Propeller Shaft	2	A	A	
5	G2200220	Hex Nut M14X2	2	A	A		27	G5080300	Clip Bellow Small End	4	A	A	
6	G2200170	Hex Bolt M12X1.75X55	4	A	A		28	G2080080	Muff Cup Flange (Wheel Side)	2	A	A	
7	420015700	Punched Washer	4	A	A		29	G5200180	Hex Fl U Nut M14	2	A	A	
8	A200190	Wave Spring Washer M12	4	A	A		30	0331298	Bolt Rear Engine Mtg	2	A	A	
9	G2200470	Hex Nut M12X1.75	2	A	A		31	0330328	Wave Spring Washer M10	2	A	A	
10	G5320530	Trailing Arm Comp Rear Lh	1	A	A		32	P1200240	Hex Nut M10 8 Zng	2	A	A	
10A	G5320520	Trailing Arm Assy Rear Rh (Ni)	1	A	A		33	420008700	Punched Washer Rear Engine Mtg	8	A	A	
11	G5090010	Spacer Assy	2	A	A		34	G2030230	Resilient Mounting	2	A	A	
12	G2090060	Silent Block, Trailing Arm Rear	4	A	A		35	R1200310	Hex Flange Screw M8X20	4	A	A	
13	G2200680	Needle Bearing 35 X 43 X 2 Trailing Arm	2	A	A		36	G5200400	Punched Washer 8.5 X 20	4	A	A	
14	G5200560	Dust Seal Needle Bearing	2	A	A		37	0330318	Wave Spring Washer M8 Zng	6	A	A	
14A	G5200570	Dust Seal Needle Bearing Field Updation	1	A	A		38	G5200330	Hex Nut M8 Resilient Mounting	4	A	A	
15	K200060	Circlip 42X1.75 N Is:3075 Int	2	A	A		39	G2200810	Hex Fl Bolt M10X1.25 Front Eng Mtg	1	A	A	
16	G2200440	Ball Bearing 20X42X12	2	A	A		40	G4120440	Cross Member Engine Mtg	1	A	A	ISG/CNG/LPG
17	G5200550	Dust Seal Ball Bearing	1	A	A		41	420477700	Hex Screw M8X16 8.8	2	A	A	
18	G2081250	Muff Cup Engine	2	A	A		42	G5200400	Punched Washer Cross Member Mtg	2	A	A	
19	G2080050	Buffer Engine Side Propeller Shaft	2	A	A		43	G2180260	Damper Engine Mtg Front	2	A	A	
20	G2080540	Lock Plate Comp Muff Cup Eng Mtg	2	A	A		44	G2180270	Cup Engine Mtg Damper	2	A	A	
21	420454700	Hex Screw M8X20 Muff Cup Eng Mtg	2	A	A		45	G4170010	Choke Cable Assy 4S New (Ni)	1	A	A	

\*\*A-Common 2 &amp; 4 stroke models, 4S -Only 4 stoke ,NS-Not serviceable, ALT/AT-Alternate number

\* A - All Variants, P - Petrol ES, L - LPG, C - CNG, LSM - LPG Single Mode, EXP - Export Only

# TRANSMISSION & CONTROLS UNITS

Figure 18



**FIG. NO. 18**
**TRANSMISSION AND CONTROL UNITS**

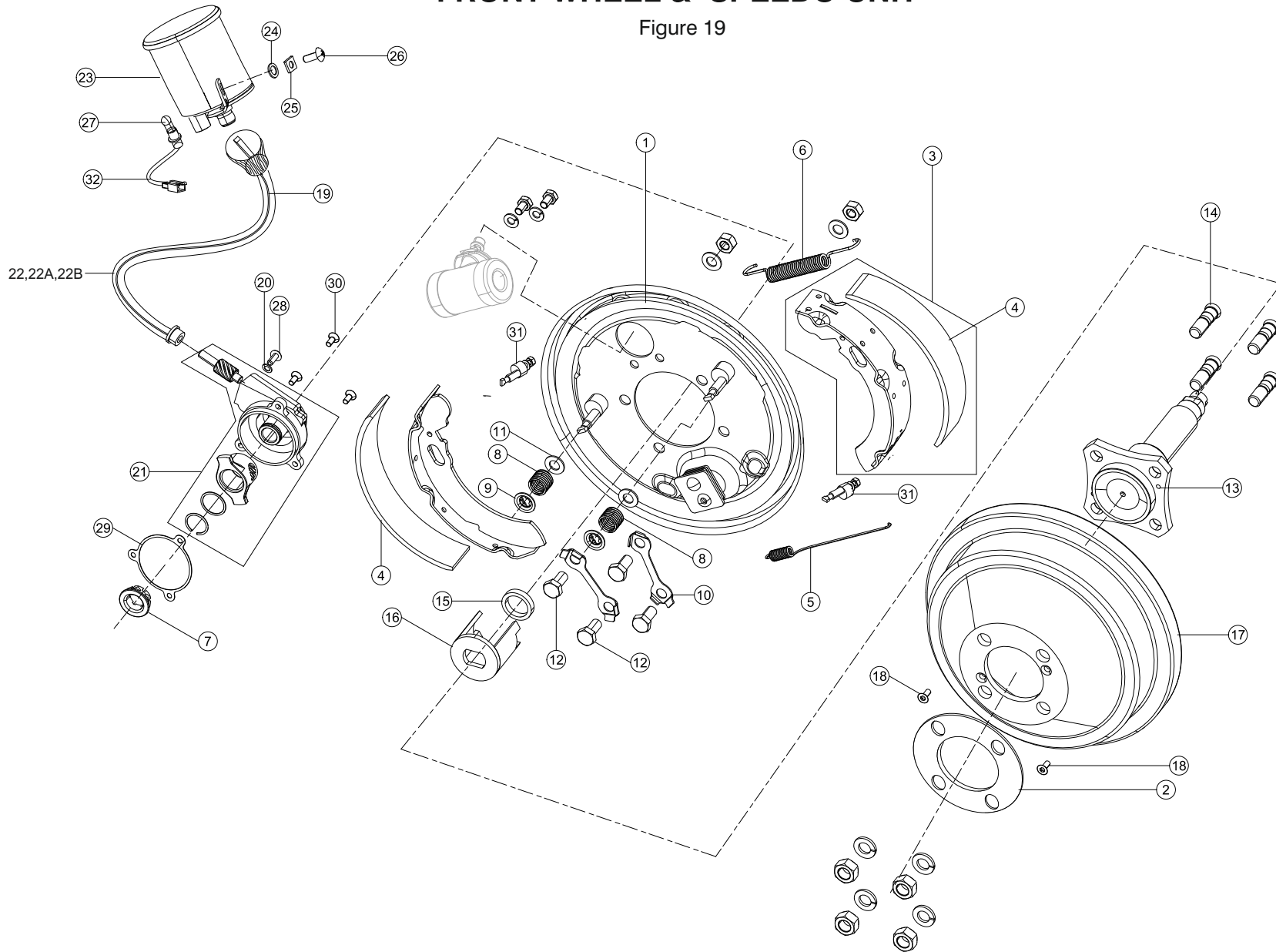
REF NO.	PART NO.	DESCRIPTION	QTY	MODEL **	VARIANT *	REMARKS	REF NO.	PART NO.	DESCRIPTION	QTY	MODEL **	VARIANT *	REMARKS
46	G2090100	Shock Absorber Assy Rear	2	A	A								
47	G2320430	Rear Shock Absorber W/O Spring	2	A	A								
48	G2320440	Main Spring, Rear Shock Absorber Assy	2	A	A								
49	G5170020	Cable Assy Clutch ( Veh. Before 2016)	1	A	A								
49A	G4070730	Cable Assy Clutch New ( Ni)	1	A	A								
50	G5170030	Cable Assy Black Gearshift	1	A	A								
51	G5170040	Cable Assy White Gearshift	1	A	A								
52	G5320170	Cable Inner Gear Shift (With Pinch Bolt)	2	A	A								
53	G5320150	Cable Inner Clutch	1	A	A								
54	407113000	Shim 15. X 21 X 0.5 Slider Block	1	A	A								
54A	G5200530	Shim 15. X 21 X 0.4 Slider Block (Ni)	1	A	A								
54B	G5200540	Shim 15. X 21 X 0.3 Slider Block (Ni)	1	A	A								
55	G5124199	Gusset Frame Front R	1	A	A								
56	G5124189	Gusset Frame Front L	1	A	A								
57	G5230590	Head Tube Cover	1	A	A								
58	0332068	Crr Pan Head Screw M6 X12	2	A	A								
59	0335578	Punched Washer 6.5X13X1	2	A	A								
60	G5124029	Brkt, Head Tube Cover	1	A	A								
61	G4160920	Cord Set Switch TPS BSIII (Ni)	1	4S	L								

\*\*A-Common 2 &amp; 4 stroke models, 4S -Only 4 stoke ,NS-Not serviceable, ALT/AT-Alternate number

\* A - All Variants, P - Petrol ES, L - LPG, C - CNG, LSM - LPG Single Mode, EXP - Export Only

# FRONT WHEEL & SPEEDO UNIT

Figure 19



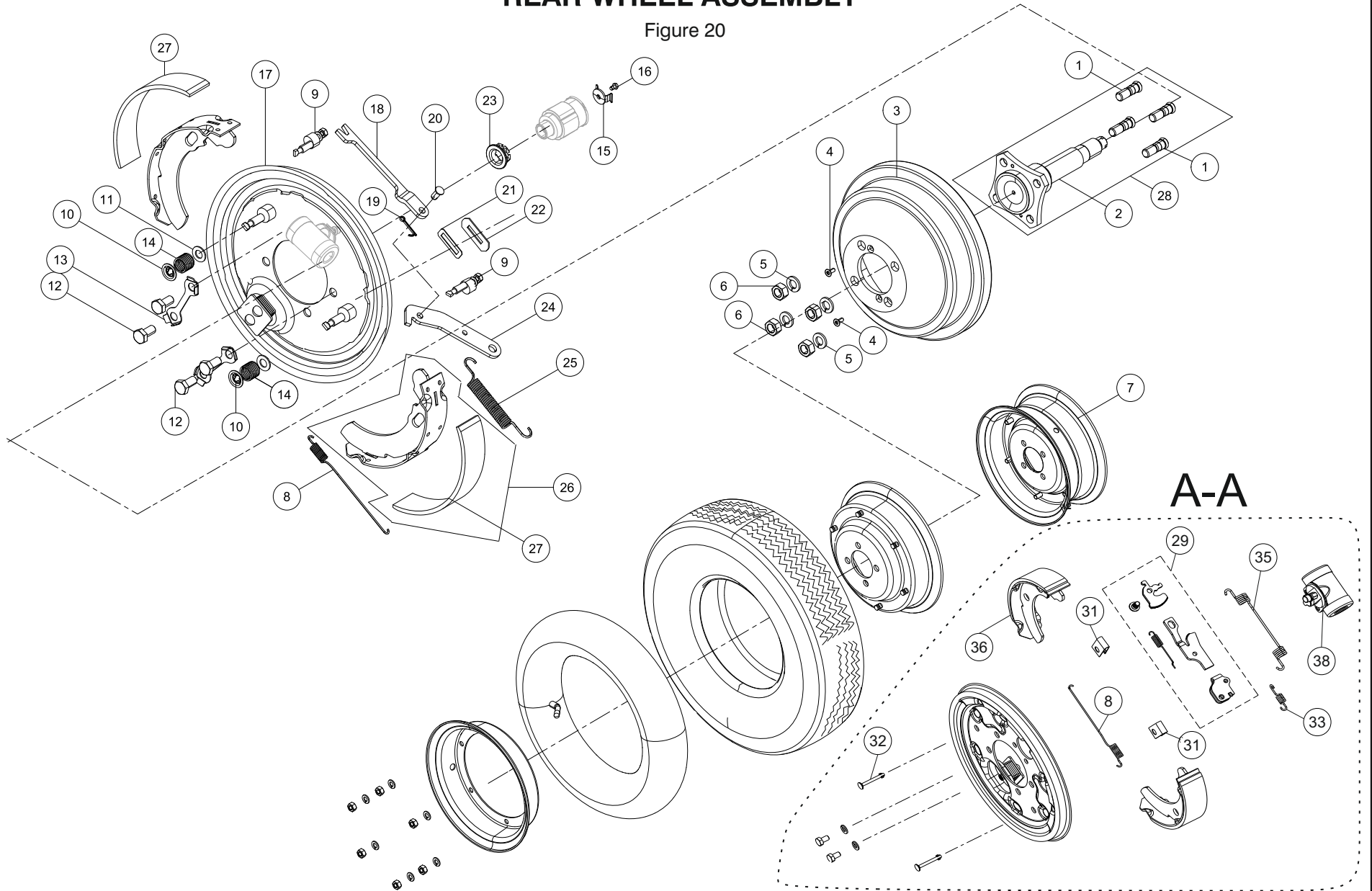
**FIG. NO. 19**
**FRONT WHEEL AND SPEEDO UNIT**

REF NO.	PART NO.	DESCRIPTION	QTY	MODEL **	VARIANT *	REMARKS	REF NO.	PART NO.	DESCRIPTION	QTY	MODEL **	VARIANT *	REMARKS
1	G4110180	Backplate Comp Front AA	1	A	A		21	G2111290	Speedo Drive Assy	1	A	A	
2	G4320550	Spacer Plate Wheel 2.5mm	1	A	A		22	G5170080	Cable Assy Speedo - Old (1020 mm)	1	A	A	ALT-G5320150
2A	G4320540	Spacer Plate Wheel 1.6mm (Ni)	1	A	A		22A	G4170210	Cable Assy Speedo - New (1000 mm)	1	A	A	
3	G2110320	Brake Shoe Comp Manual	6	A	A		22B	G4170300	cable speedo (deluxe)	1	A	A	
3A	G4110140	Brake Shoe Comp AA	6	A	A		23	G5160150	Speedometer Assy	1	A	A	
4	G2111340	Liner Brake Shoe	2	A	A		24	N3200120	Punched Washer Speedometer Mtg	2	A	A	
5	G2110330	Spring Brake Shoe Return Bottom	3	A	A		25	G5200110	Square Nut	2	A	A	
6	G2111860	Spring Brake Shoe Return Top Manual	3	A	A		26	0332068	Crph Scr M6X12 6.8 Speedometer Mtg	2	A	A	
6A	G4110100	Spring Brake Shoe Return Top AA (Ni)	3	A	A		26A	N8200080	Crr Pan Head Screw M5X10	2	4S	A	
7	G5200180	Hex Flange U Nut Axle	1	A	A		27	G5160640	Bulb (Capless Speedometer)	1	A	A	
8	G2110350	Spring Shoe Holding	2	A	A		28	F200098	Crph Scr M5X20 8.8	1	A	A	
9	G2110360	Lock Washer Brake Shoe	2	A	A		29	G5150430	Gasket Hub Drive	1	A	A	
10	G2110370	Lock Plate	2	A	A		30	G2200460	Csk Screw M4X10 Hub Drive Mtg	3	A	A	
11	G5200490	Punched Washer 8.5 Spring Brake Shoe	2	A	A		31	G5320610	Locating Pin (Brake Cam)	2	A	A	
12	420477700	Hex Screw M8X16 8.8 (Bolt Back Plate)	4	A	A		32	G5161210	Cord Set Wire Speedometer	1	A	A	
13	G2110710	Axle Front	1	A	A		33	G4110040	Brake Adjuster Assy RH & Front AA (Ni)	2	A	A	
14	G2110570	Axle Bolt	4	A	A		34	G4110110	Clip AA (Ni)	6	A	A	
15	G2111310	Distance Piece Front Axle	1	A	A		35	G4110120	Pin Brake AA (Ni)	6	A	A	
16	G2111320	Speedo Drive Comp	1	A	A		36	G4110160	Strut Return Spring AA (Ni)	1	A	A	
17	G2110390	Brake Drum	1	A	A		37	G4110100	Spring Brake Shoe Return Top AA (Ni)	3	A	A	
18	G2200460	Csk Screw M14X10	2	A	A		38	G4110140	Brake Shoe Comp AA (Ni)	6	A	A	
19	G5150450	Speedo Cable Inner - Old (1037 mm)	1	A	A								
19A	G5321420	Speedo Cable Inner - New (1016 mm)	1	A	A								
20	G5200340	Punched Washer	1	A	A								

\*\*A-Common 2 &amp; 4 stroke models, 4S -Only 4 stroke ,NS-Not serviceable, ALT/AT-Alternate number

# REAR WHEEL ASSEMBLY

Figure 20



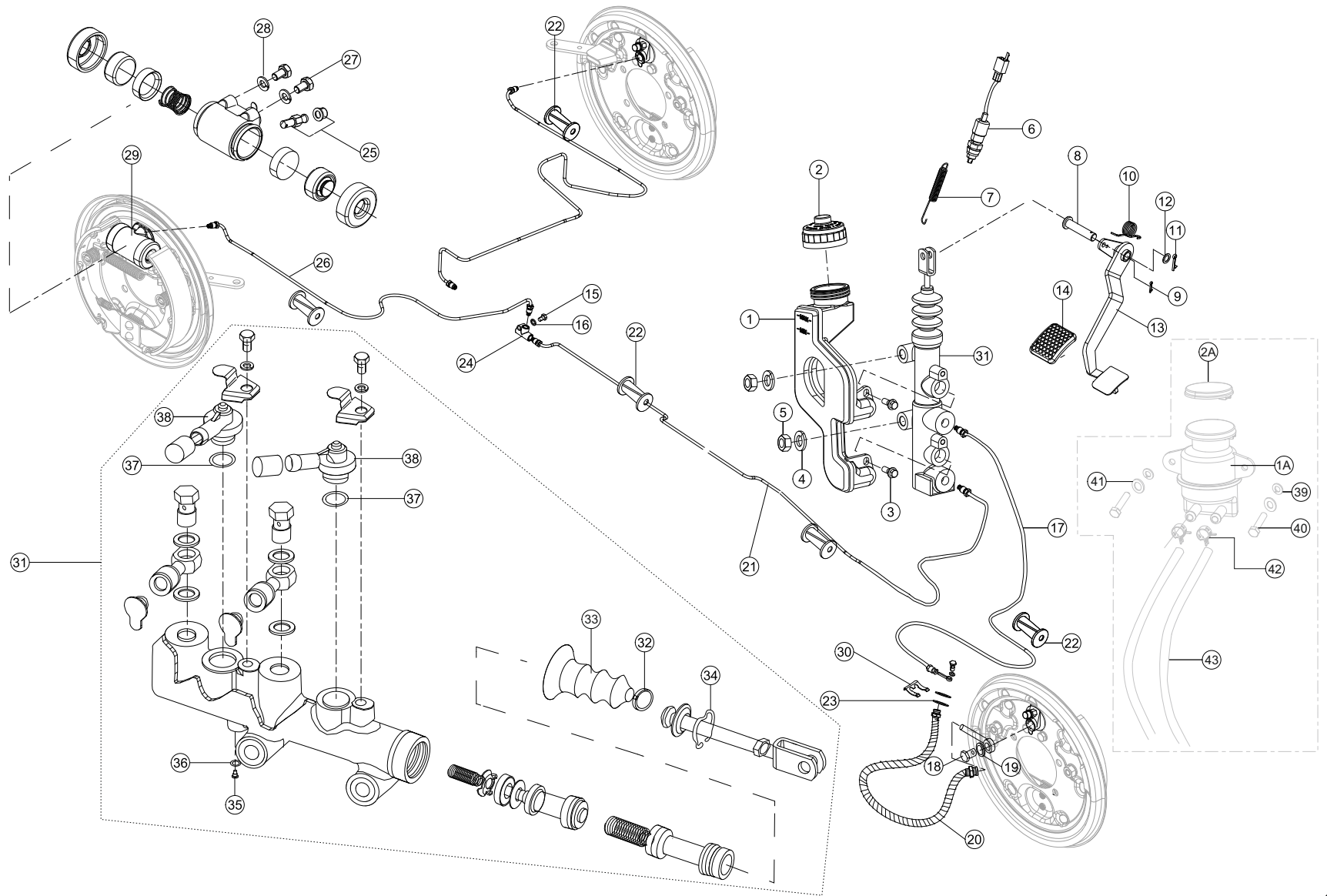
**FIG. NO. 20**
**REAR WHEEL ASSEMBLY**

REF NO.	PART NO.	DESCRIPTION	QTY	MODEL **	VARIANT *	REMARKS	REF NO.	PART NO.	DESCRIPTION	QTY	MODEL **	VARIANT *	REMARKS
1	G2110570	Bolt Axle	4	A	A		19	0331580	Split Pin Strut Parking Brake	2	A	A	ISG/CNG/LPG
2	G2110530	Axle Rear	1	A	A		20	G5110080	PIN PARKING BRAKE	2	A	A	ALT-G2110940
3	G2110390	Brake Drum	2	A	A		21	G2111170	Plate, Parking Brake	2	A	A	
4	G2200460	Csk Screw M4X10	2	A	A		22	G2111190	Packing Parking Brake	2	A	A	
5	G5110200	WAVE SPRING WASHER M10 ZNG	12	A	A	ALT-0330328	23	G52001180	Hex Flange U Nut Axle	2	A	A	
6	G5200410	HEX NUT M10 8 ZNG	12	A	A	ALT-K200160	24	G2110910	Lever Parking Brake Manual	2	A	A	
7	G2111090	Rim Assy	3	A	A		24A	G4110270	Lever Parking Brake AA (Ni)	2	A	A	
8	G2110330	Spring Brake Shoe Return Bottom	2	A	A		25	G2111860	Spring Brake Shoe Return Top Old	2	A	A	
9	G5320610	Locating Pin (Brake Cam)	4	A	A		26	G2110320	Brake Shoe Comp	4	A	A	
10	G2110360	Lock Washer Brake Shoe	4	A	A		27	G2111340	Liner Brake Shoe	4	A	A	
11	G5200490	Punched Washer 8.5 Spring Brake Shoe	4	A	A		28	G2110440	KIT AXLE COMP REAR	1	A	A	
12	420477700	Hex Screw M8X16 8.8 (Bolt Back Plate)	8	A	A		29	G4110030	Brake Adjuster Assy LH Aa	1	A	A	
13	G2110370	Lock Plate	4	A	A		30	G4110040	Brake Adjuster Assy RH & Front AA (Ni)	2	A	A	
14	G2110350	Spring Shoe Holding	4	A	A		31	G4110110	Clip Aa	6	A	A	
15	G2080540	Lock Plate Muff Cup Engine Side	2	A	A		32	G4110120	Pin Brake Aa	6	A	A	
16	420454700	Hex Screw M8X20 Lock Plate Muff Cup	2	A	A		33	G4110160	Strut Return Spring LH Aa	1	A	A	
17	G2111180	Back Plate Rh	1	A	A		34	G4110150	Strut Return Spring RH & Front Aa	2	A	A	
17A	G2110210	Back Plate Lh	1	A	A		35	G4110100	Spring Brake Shoe Return Top Aa	3	A	A	
17B	G4110050	BACK PLATE COMP L (AA)	1	A	A		36	G4110140	Brake Shoe Comp Aa	6	A	A	
18	G2110920	Strut Comp Parking Brake	2	A	A								



# HYDRAULIC BRAKE SYSTEM

Figure 21





**FIG. NO. 21**
**HYDRAULIC BRAKE SYSTEM**

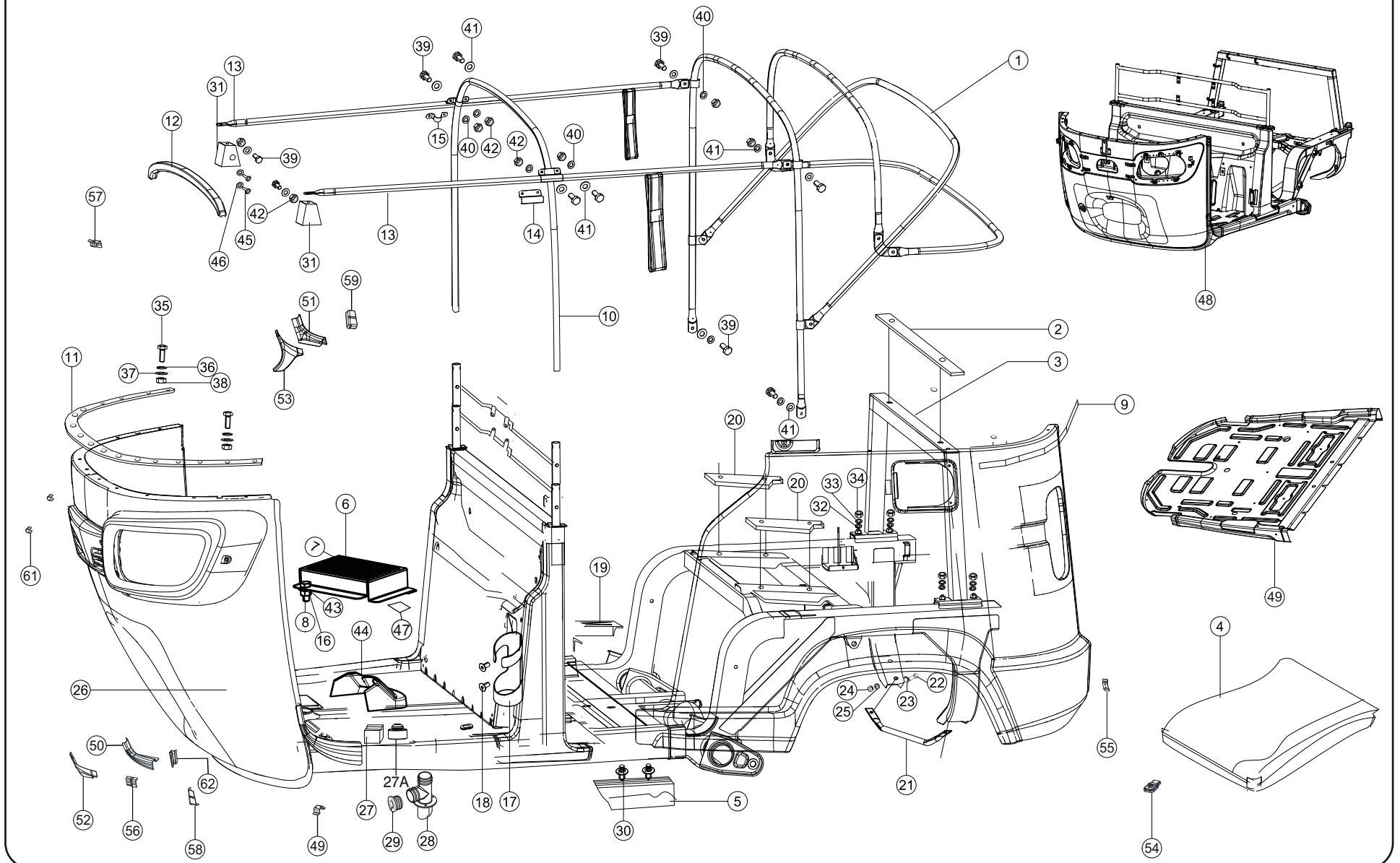
REF NO.	PART NO.	DESCRIPTION	QTY	MODEL **	VARIANT *	REMARKS	REF NO.	PART NO.	DESCRIPTION	QTY	MODEL **	VARIANT *	REMARKS
1	G4110290	Reservoir Assy (Modified)	1	A	A		25	G2111280	Breather Screw With Cap	3	A	A	
2	G4110310	Cap Assy, Reservoir (Modified)	1	A	A		26	G2111570	Bundy Tube Assy Rear Lh, Rh	2	A	A	
3	N3200220	Hex Fl Bolt M6X1.25X16	2	A	A		27	N3200250	Hex Screw M6X10 Wheel Cylinder Mtg	2	A	A	
4	0330328	Wave Spring Washer M10 Znb	2	A	A	ISG/CNG/LPG	28	P1200050	Wave Spring Washer M6	2	A	A	
5	P1200240	Hex Nut M10 8 Zng	2	A	A		29	G2110220	Wheel Cylinder Assy	1	A	A	
6	G2160250	Brake Light Switch	1	A	A		30	G2111580	Clip Flexible Hose	1	A	A	
7	G2160340	Spring Brake Switch	1	A	A		31	G4110260	Master Cyl Assy	1	A	A	
8	G2111610	Pin Master Cylinder	1	A	A		32	----	Clip Dist Bellow	1	A	A	
9	0330048	Split Pin 2.0X20 Pin TMC	1	A	A	ISG/CNG/LPG	33	----	Dust Bellow TMC Push Rod	1	A	A	
10	G3120240	Torsion Spring Brake	1	A	A		34	G5320070	Circlip Lock Push Road TMC	1	A	A	
11	0330028	Split Pin 3.2X25 Brake Pedal Mtg Pin	1	A	A	ISG/CNG/LPG	35	----	Stop Pin Air Leak Screw	1	A	A	
12	0335698	Punched Washer 14.5X22X1.6 Znb	1	A	A	ISG/CNG/LPG	36	G5320090	O Ring Stop Screw	1	A	A	
13	G3120200	Brake Pedal Comp	1	A	A		37	----	O Ring Adopter TMC	2	A	A	
14	G5121730	Pad Brake Pedal	1	A	A		38	----	Adopter TMC	2	A	A	
15	0331838	Hex Screw M6X25 4.6 Znb 3 Way Union	1	A	A	ISG/CNG/LPG	39	0330308	Wave Spring Washer M5	2	A	A	
16	P1200050	Wave Spring Washer M6 3 Way Union	1	A	A		40	G5200340	Punched Washer 5.5 X 12 X 1	2	A	A	
17	G3110050	Bundy Tube Assy Front	1	A	A		41	G5200290	Hex Screw M5X20 Reservoir	2	A	A	
18	G2110420	Banjo Bolt	1	A	A		42	G2110130	Clamp Hose Reservoir	4	A	A	
19	7100310	Packing Banjo Bolt Front	2	A	A		43	G2110120	Hose Brake Oil	2	A	A	
20	G2111720	Flexible Hose Front	1	A	A		44	G4110190	Master Cyl Sub Assy (Ni)	1	A	A	
21	G2111550	Bundy Assy Center	1	A	A								
22	G2111500	Packing Bundy Tube (Rubber Grommet)	5	A	A								
23	0335024	Shim Oiled For Flexible Hose Cowl Joint	2	A	A	ISG/CNG/LPG							
24	G21101903	Way Union	1	A	A								

\*\*A-Common 2 &amp; 4 stroke models, 4S -Only 4 stroke ,NS-Not serviceable, ALT/AT-Alternate number

\* A - All Variants, P - Petrol ES, L - LPG, C - CNG, LSM - LPG Single Mode, EXP - Export Only

# CHASSIS & SOFT TOP ASSEMBLY

Figure 22



**FIG. NO. 22**
**CHASSIS AND SOFT TOP ASSEMBLY**

REF NO.	PART NO.	DESCRIPTION	QTY	MODEL **	VARIANT *	REMARKS	REF NO.	PART NO.	DESCRIPTION	QTY	MODEL **	VARIANT *	REMARKS
1	G5220920	Soft Top Comp Rear - C Pillar Assy	1	A	A		21	G5123720	Link ,Rear Eng Cradle	1	A	A	
1A	G4221050	SOFT TOP FRAME COMP RR	1	A	A	ISG/CNG/LPG	22	R1200310	Hex Flange Screw M8X20	2	A	A	
2	G5122610	Packing Chassis Cabin	2	A	A		23	G5200400	Punched Washer Link Rod Eng Mtg	2	A	A	
3	G5121870	Cross Member Camp Cabin Support	1	A	A		24	0330328	WAVE SPRING WASHER M10 ZNG	2	A	A	ISG/CNG/LPG
4	G52225007H	Canvas Soft Top -Brown	1	A	A		25	G5200330	Hex Nut M8 Link Rod Eng Mtg	2	A	A	
5	G5230310	Grommet Sill Level Lh	1	A	A		26	G41207198L	Chassis Assy LPG/CNG -Green BSIV	1	A	L/C	
6	G4110380	Rider Footrest Kit	1	A	A		26A	G51239603D	Chassis Assy ES - Rikshaw Black (NIL)	1	A	P	
7	G4110370	Rider Footrest	1	A	A		26B	G41216093D	Chassis Assy CNG - Black BSIV (NIL)	1	A	L/C	
8	P1200170	Hex Screw M10X25 Foot Rest	1	A	A	CNG/LPG	27	G5122640	Stopper Hand Start	1	A	A	
9	G5122510	Packing Soft Top Canvas	1	A	A		27A	G4123930	Stopper Hand Start(fitted in hand lever)	1	A	A	
10	G5220910	Soft Top Front B Pillar Frame Assy	1	A	A		28	G5123740	T Piece	1	A	L	CNG/LPG
10A	G4223380	SOFT TOP FRAME FR ASSY	1	A	A		29	G3160690	Grommet T Piece	1	A	L/C	CNG/LPG
11	G5120830	Sealing Cowl Windshield	1	A	A		30	A128730	Button Assy Floor Mat	6	A	A	
12	G5122080	Wood Stick Middle Soft Top	1	A	A		31	G5230550	Side Block Soft Top LH/RH Plastic Mould	2	A	A	
13	G5220170	Side Tube LH , Rh	2	A	A		32	G5200400	Punched Washer cross Member Mtg	4	A	A	
14	G5221250	Bkt Side Tube B Pillar	2	A	A		33	G5110210	WAVE SPRING WASHER M8 ZNB	4	A	A	ALT-0330318
14A	G4221150	SOFT TOP FRAME MTG TOP	2	A	A		34	G5200330	Hex Nut M8 Cross Member Mtg	4	A	A	
15	G5221110	Bracket Cross Member B Pillar	2	A	A		35	420462700	Hex Screw M6X20 Wind Shield Mtg	10	A	A	
15A	G4221160	SOFT TOP FRAME MTG L	2	A	A		36	0330408	WAVE SPRING WASHER 6.5	10	A	A	ALT-P1200050
16	0330328	Wave Spring Washer Foot Rest	1	A	L/C/LSM	ISG/CNG/LPG	37	0335578	Plain Washer	10	A	A	
17	G5300050	Holder Water Bottle	1	A	A		38	420305700	Hex Nut M6 Two Sides Only	2	A	A	
18	0332275	Screw - Crph M6X16 6.8 Znk	2	A	A	ISG/CNG/LPG	39	0332275	Pan Head Screw	2	A	A	
19	G5230360	Grommet Sill Level Rh	1	A	A								
20	G5120779	Packing Support Seat Base	2	A	A								

\*\*A-Common 2 &amp; 4 stroke models, 4S -Only 4 stoke ,NS-Not serviceable, ALT/AT-Alternate number

\* A - All Variants, P - Petrol ES, L - LPG, C - CNG, LSM - LPG Single Mode, EXP - Export Only

# CHASSIS & SOFT TOP ASSEMBLY

Figure 22

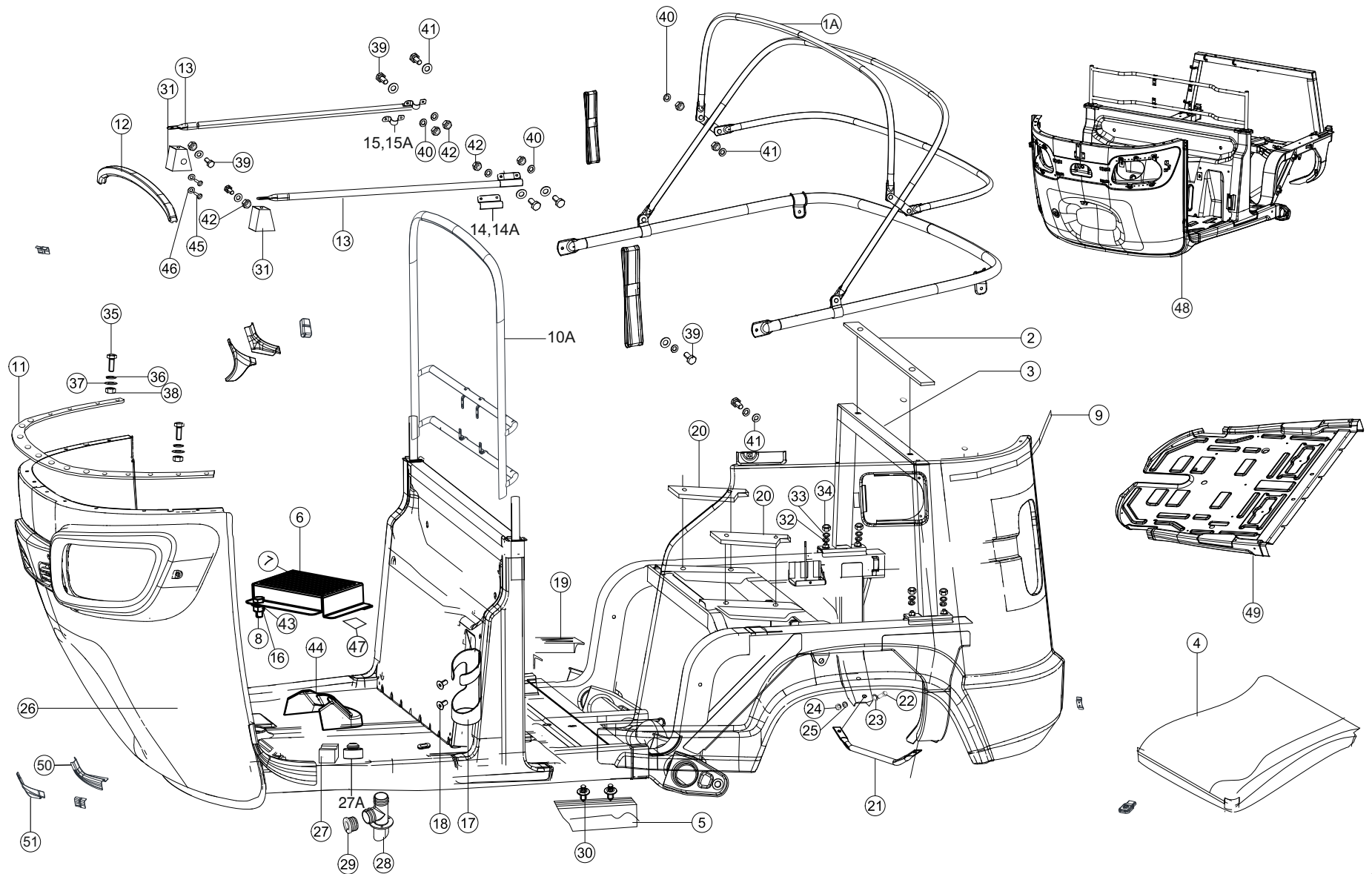


FIG. NO. 22

**CHASSIS AND SOFT TOP ASSEMBLY**

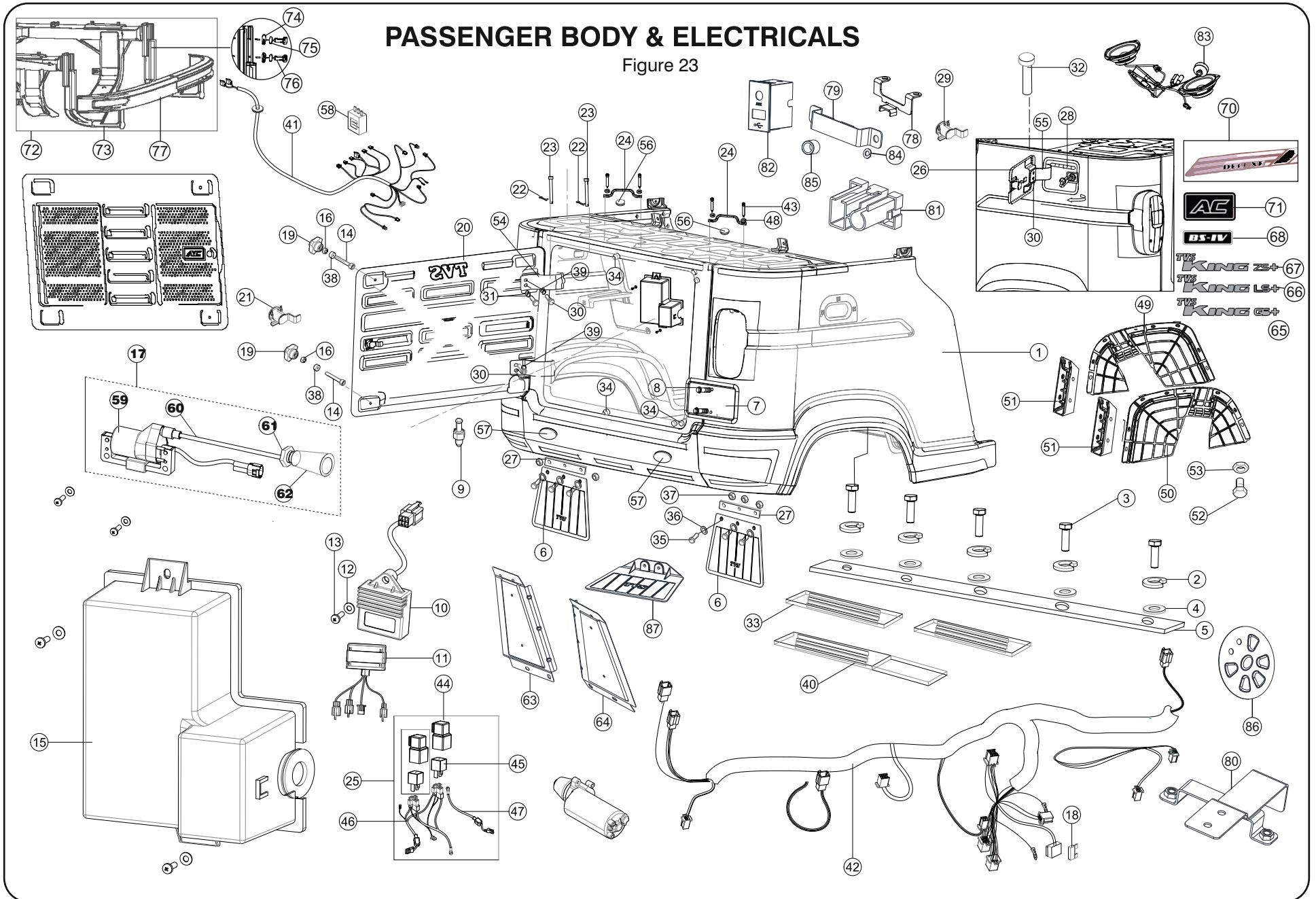
REF NO.	PART NO.	DESCRIPTION	QTY	MODEL **	VARIANT *	REMARKS	REF NO.	PART NO.	DESCRIPTION	QTY	MODEL **	VARIANT *	REMARKS
41	0335578	Plain Washer A,B, C Pillar Mtg	11	A	A								
42	420305700	Hex Nut M6 Two Sides Only	8	A	A								
43	K200160	Hex Nut M10 Foot Rest	1	A	A								
44	G5230590	Head Tube Cover	1	A	A								
45	8200120	Hex Screw M5X12 Side Block Mtg	4	A	A								
46	0335558	Plain Washer Side Block Mtg	4	A	A								
47	N4221130	Pad Cushion Foot Rest	2	A	A								
48	G5124389	CHASSIS ASSEMBLY,ES	1	A	A								
49	G5120089	floor Complete	1	A	A	ISG/CNG/LPG							
50	G5122039	CORNER PIECE LH,FLOOR	1	A	A	ISG/CNG/LPG							
51	G5122049	CORNER PIECE RH,FLOOR	1	A	A	ISG/CNG/LPG							

\*\*A-Common 2 & 4 stroke models, 4S -Only 4 stoke ,NS-Not serviceable, ALT/AT-Alternate number

\* A - All Variants, P - Petrol ES, L - LPG, C - CNG, LSM - LPG Single Mode, EXP - Export Only

# PASSENGER BODY & ELECTRICALS

Figure 23





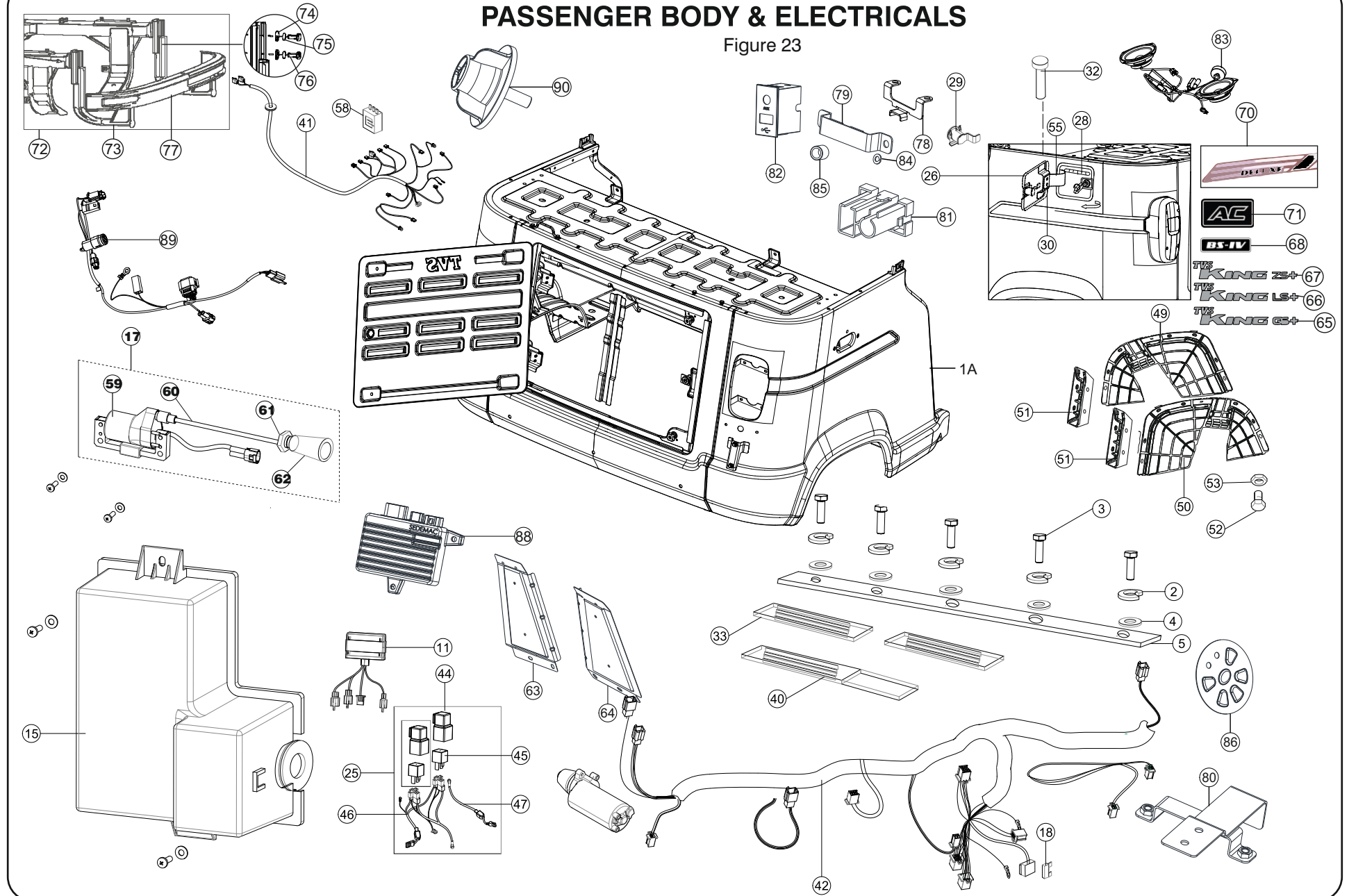
**FIG. NO. 23**
**PASSENGER BODY AND ELECTRICALS**

REF NO.	PART NO.	DESCRIPTION	QTY	MODEL **	VARIANT *	REMARKS	REF NO.	PART NO.	DESCRIPTION	QTY	MODEL **	VARIANT *	REMARKS
1	G52214903D	Passenger Cabin Black	1	A	A		15B	G4162470	TCI UNIT COVER	1	4S	ISG	ISG
1A	G42200708L	Cabin LPG/CNG Single Mode Green	1	A	L/C	AT-G52214908L	16	420302700	Hex Screw M5 Tail Door Knob	2	A	A	ALT-G5200320
2	G5110210	Wave Spring Washer M8 Cabin Mtg	10	A	A	ALT-0330318	17	G4060250	Ignition Coil Assy 4S	1	4S	A	
3	G5200270	Hex Screw M8 X 1.25 X 25	10	A	A		18	N9324040	FUSE 20 A BLADE BSIV	1	4S	A	
4	G5200280	Punched Washer 8.5 X 25 X 2	10	A	A		18A	G5160550	Fuse 15 Amps (Ni) BSIII	2	A	A	
5	G5120769	Packing Floor Cabin	2	A	A		18B	G4320430	Fuse 5A (Ni)	2	A	A	
6	G5221660	Mud Flap	3	A	A		18C	G4321360	Fuse 2A (Ni)	2	A	L/C/LSM	ALT-G4320420
7	G52208905R	Number Plate - Golden Yellow	2	A	A		19	G5123830	Knob M5	2	A	A	
8	N3200220	Hex Fl Bolt M6X16 Number Plate Mtg	4	A	A		20	G52206003D	Tail Door Assy Black	1	A	A	
9	N9161260	Relay Head Lamp BSIV	1	4S	A		20A	G42210803D	Tail Door Assy Black Mesh Type	1	A	A	
10	G5060290	RR Unit BSIII	1	4S	A		21	G5320390	Lock Assy Tail Door	1	A	A	
10A	G4060290	Regulator Cum Rectifier 3	1	4S	A		21A	G5221560	Lock Assy Tail Door Mesh Type (Ni)	1	A	A	
10B	G4060860	RR unit	1	4S	A		22	0330048	Split Pin 2.0X20 Tail Door And Fuel Lid	3	A	A	I/C/L
11	G4060040	Digital TCI Unit - 4S BSIII	1	4S	L/C/LSM		23	G2200610	Pin Hinge Tail Door	2	A	A	
11A	G4060130	Digital TCI Unit - 4S BSIII (Ni)	1	4S	P		24	G5220270	Side Panel Handle Soft Top Belt	2	A	A	
11B	G4060310	Digital TCI Unit - 4S BS IV HP (Ni)	1	4S	A	CNG/LPG	25	G5160930	KIT STARTER RELAY ASSY	1	A	A	
12	G5200340	Punched Washer Rr Unit Mtg	5	A	A		26	G52206505R	LID COMP FUEL TANK YELLOW	1	A	A	
13	G5200290	Hex Screw M5X 20 Rr Unit Mtg	5	A	A		27	G5123400	Plate Mud Flap	3	A	A	
13A	N2200490	Hex Fl. Bolt M6X 20 RR Unit, BSIV (Ni)	1	A	A		27A	G4220820	Mud Flap Mtg Bracket New (Ni)	2	A	A	
14	G5200430	Tail Door Allen Screw M5X35	2	A	A		28	G5230470	Edge Trim, Lid Fuel Tank	3	A	A	
15	G3060060	Cover TCI BSIII	1	4S	A		29	G5221570	LOCK ASSY FUEL TANK	1	A	P/L/C	ALT-G5320380
15A	G4060430	Cover TCI BSIV	1	4S	A		30	P1200070	Hex Screw M6 Tail Door & Lid Fuel Tank	6	A	A	

\*\*A-Common 2 &amp; 4 stroke models, 4S -Only 4 stoke ,NS-Not serviceable, ALT/AT-Alternate number

# PASSENGER BODY & ELECTRICALS

Figure 23





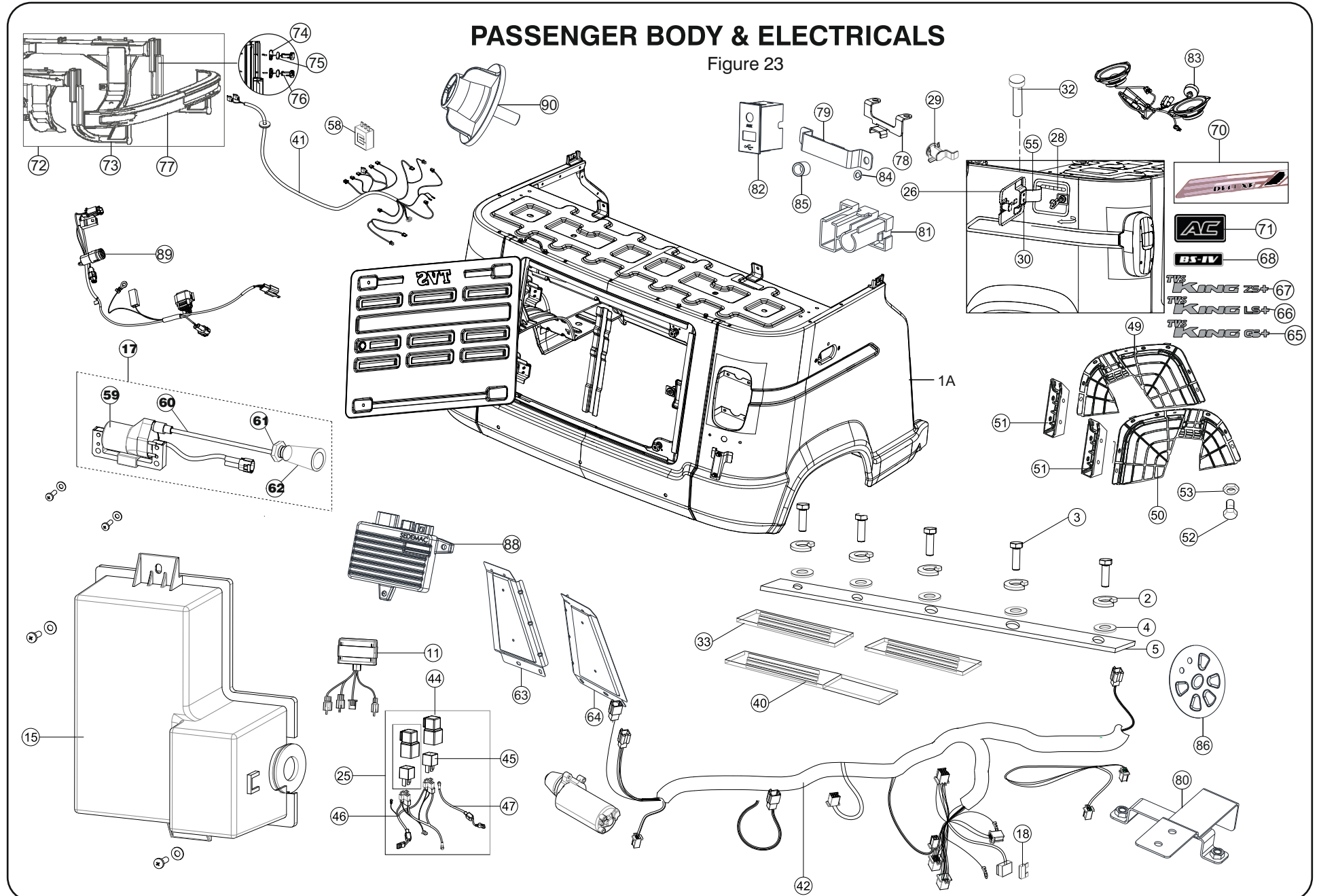
**FIG. NO. 23**
**PASSENGER BODY AND ELECTRICALS**

REF NO.	PART NO.	DESCRIPTION	QTY	MODEL **	VARIANT *	REMARKS	REF NO.	PART NO.	DESCRIPTION	QTY	MODEL **	VARIANT *	REMARKS
30	P1200070	Hex Screw M6 Tail Door & Lid Fuel Tank	6	A	A		46	G5160760	Cord Set, Starter Relay (Red). BSIII	1	A	A	
31	P1200050	Spring Washer M6 Tail Door & Lid Fuel T	6	A	A		46A	G4161000	Cord Set, Starter Relay (Red). BSIV	1	4S	A	
32	G5221140	Pin Hinge Fuel Tank	1	A	A		47	G3160730	Cord Set, Starter Motor Black	1	A	A	
33	G5222440	Packing Support Seat Base	2	A	A		48	P1200050	Wave Spring Washer M6 Handle Soft Top	6	A	A	
34	G5221640	Grommet Tail Door	6	A	A		49	G5230520	Rear Mudguard Lh	1	A	A	
35	P1200070	Hex Screw M6X 16 8.8 Mud Flap Mtg	9	A	A		50	G5230530	Rear Mudguard Rh	1	A	A	
36	N3200120	Punched Washer Mud Flap Mtg	9	A	A		51	G5230540	Cover Tail Lamp	2	A	A	ALT-G5321350
37	P1200060	Hex Nut M6 Zng Mud Flap Mtg	9	A	A		52	N3200220	Hex FI Bolt M6X16 Splash Guard	10	A	A	
38	G5222440	Ring Knob Tail Door	3	A	A		53	P1200060	Hex Nut M6 Zng Splash Guard Mtg	10	A	A	
39	N3200120	Washer Tail Door & Lid Fuel Tank Mtg	6	A	A		54	G5222230	Hinge Comp Tail Door	2	A	A	
40	G5122610	Packing Chassis Cabin	1	A	A		55	G5220679	Hinge Fuel Tank	1	A	A	
41	G4160130	Wiring Harness, Front -4S LPG/CNG BSIII	1	4S	L/C/LSM		56	G5230410	Grommet 20X16 Cabin LH Luggage Area	1	A	A	
41A	G4160100	Wiring Harness, Front 4S Petrol (Ni) BSIII	1	4S	P		57	G5230420	Grommet, Dia20 Cut Out Bumper	2	A	A	
41B	G4161020	Wiring Harness, Front 4S BSIV (Ni)	1	4S	L/C	CNG/LPG	58	G3160470	Car Safety Unit Old	1	A	A	
41C	G4160980	Wiring Harness, Front 4S Petrol (Ni) BSIV	1	4S	P		59	G4321720	Ignition Coil W/O Suppressor Cap	1	4S	A	
42	G4160140	Wiring Harness, Rear -4S BSIII	1	4S	L/C/LSM		60	G4321640	Cord Ignition Coil	1	4S	A	
42A	G4160110	Wiring Harness, Rear - 4S (Ni) BSIII	1	4S	P		61	0098010	Seal H.T. Cord	1	4S	A	
42B	G4161030	Wiring Harness, Rear -4S BSIV (Ni)	1	4S	L/C	CNG/LPG	62	N9060280	Suppresser Cap	1	4S	A	AT-G5060150
42C	G4160990	Wiring Harness, Rear - 4S (Ni) BSIV	1	4S	P		63	G5222819	Bracket Side Panel L	1	4S	A	
43	P1200070	Hex Screw M6X16 8.8 Handle Soft Top	4	A	A		64	G5222829	Bracket Side Panel R	1	4S	A	
44	R3160090	Boot Starter Relay	2	A	A		65	G4221270	Sticker GS+ Petrol (Ni)	1	4S	P	
45	N9161840	Relay Starter Motor New	2	A	A		66	G4221280	Sticker LS+LPG (Ni)	1	4S	L	LPG

\*\*A-Common 2 &amp; 4 stroke models, 4S -Only 4 stoke ,NS-Not serviceable, ALT/AT-Alternate number

# PASSENGER BODY & ELECTRICALS

Figure 23



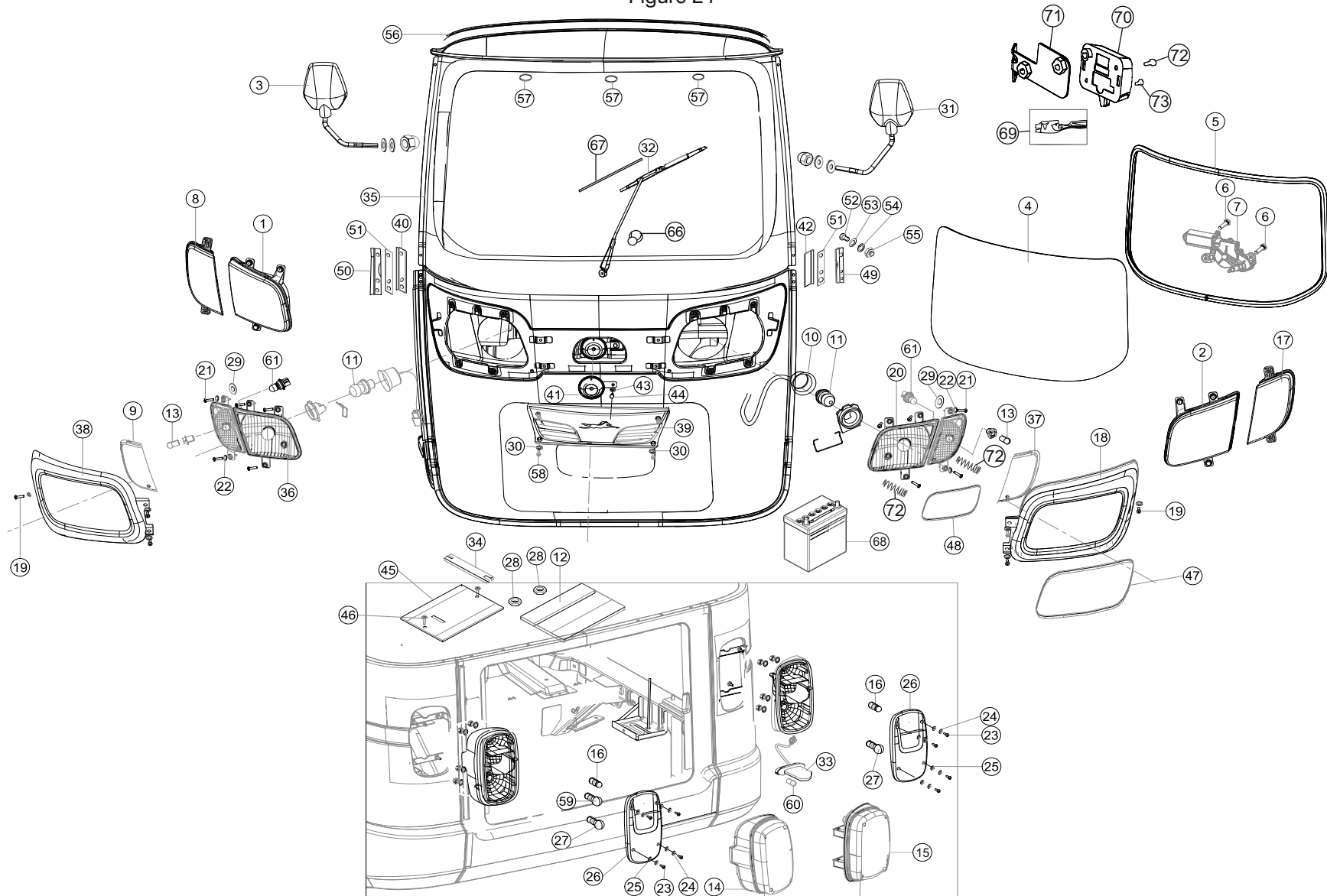
**FIG. NO. 23**
**PASSENGER BODY AND ELECTRICALS**

REF NO.	PART NO.	DESCRIPTION	QTY	MODEL **	VARIANT *	REMARKS	REF NO.	PART NO.	DESCRIPTION	QTY	MODEL **	VARIANT *	REMARKS
66	G4221280	Sticker LS+LPG (Ni)	1	4S	L	LPG	88	G8060120	CONTROL UNIT CARGO (U444)	1	A	ISG	ISG
67	G4221290	Sticker ZS+ CNG (Ni)	1	4S	C	CNG	89	G4161790	CORDSET ISG	1	A	ISG	ISG
68	G4210510	Sticker BSIV (Ni)	1	4S	A		90	G4223320	HOLDER SPARE WHEEL	1	A	P	
69	G4220580	Deluxe Sticker - LH (Ni)	1	4S	A		91	G42223503D	SIDE DOOR ASSY RR L RIK BLACK (NIL)	1	A	P/L/C	
70	G4220610	Deluxe Sticker - RH (Ni)	1	4S	A		92	G42223503F	SIDE DOOR ASSY RR L WEGO Wh (NIL)	1	A	P/L/C	
71	G4221380	Sticker (AC) Mesh Type (Ni)	1	4S	A		93	G42223505G	SIDE DOOR ASSY RR L NF WINE (NIL)	1	A	P/L/C	
72	G4322259	Kit Chassis Mtd Bumper	1	4S	A		94	G42223505R	SIDE DOOR ASSY RR L G YELLOW (NIL)	1	A	P/L/C	
73	G4300270	Stay Bumper Mtg Comp.	2	4S	A		95	G42223508L	SIDE DOOR ASSY RR L ECO (NIL)	1	A	P/L/C	
74	G5200400	Punched Washer 8.5 X20X2.0	6	4S	A		96	G4222350M	SIDE DOOR ASSY RR L NEP BLUE (NIL)	1	A	P/L/C	
75	0330318	Wave Spring Washer M8	6	4S	A	I/C/L	97	G42224503D	SIDE DOOR ASSY RR R RIK BLACK (NIL)	1	A	P/L/C	
76	G5200380	Hex. Screw M8x20	6	4S	A		98	G42224503F	SIDE DOOR ASSY RR R WEGO Wh (NIL)	1	A	P/L/C	
77	G43002805R	Bumper Comp. Yellow (Ni)	1	4S	A		99	G42224505G	SIDE DOOR ASSY RR R NF WINE (NIL)	1	A	P/L/C	
78	G3080490	CLAMP WIRING HARNESS	1	4S	C/L	CNG/LPG	100	G42224505R	SIDE DOOR ASSY RR R G YELLOW (NIL)	1	A	P/L/C	
79	G4121350	MTG BRACKET LOWER	1	A	A		101	G42224508L	SIDE DOOR ASSY RR R ECO (NIL)	1	A	P/L/C	
80	G4121340	MTG BRACKET MUSIC SYSTEM	1	A	A	I/C/L	102	G4222450M	SIDE DOOR ASSY RR R NEP BLUE (NIL)	1	A	P/L/C	
81	G4221190	USB HOLDER LOWER	1	A	A	I/C/L							
82	G4221180	USB HOLDER	1	A	A	I/C/L							
83	G4322390	MUSIC SYSTEM SET	1	A	A	I/C/L							
84	P1200150	WAVE SPRING WASHERM5	6	A	A	I/C/L							
85	N3120140	BUSH TAIL COVER	4	A	A								
86	R3160300	COVER SWITCH CLUSTER	1	A	A								
87	G4224430	MUDFLAP PLASTIC	2	A	A	I/C/L							

\*\*A-Common 2 &amp; 4 stroke models, 4S -Only 4 stoke ,NS-Not serviceable, ALT/AT-Alternate number

# LIGHTING SYSTEM & WINDSHIELD ASSEMBLY

Figure 24



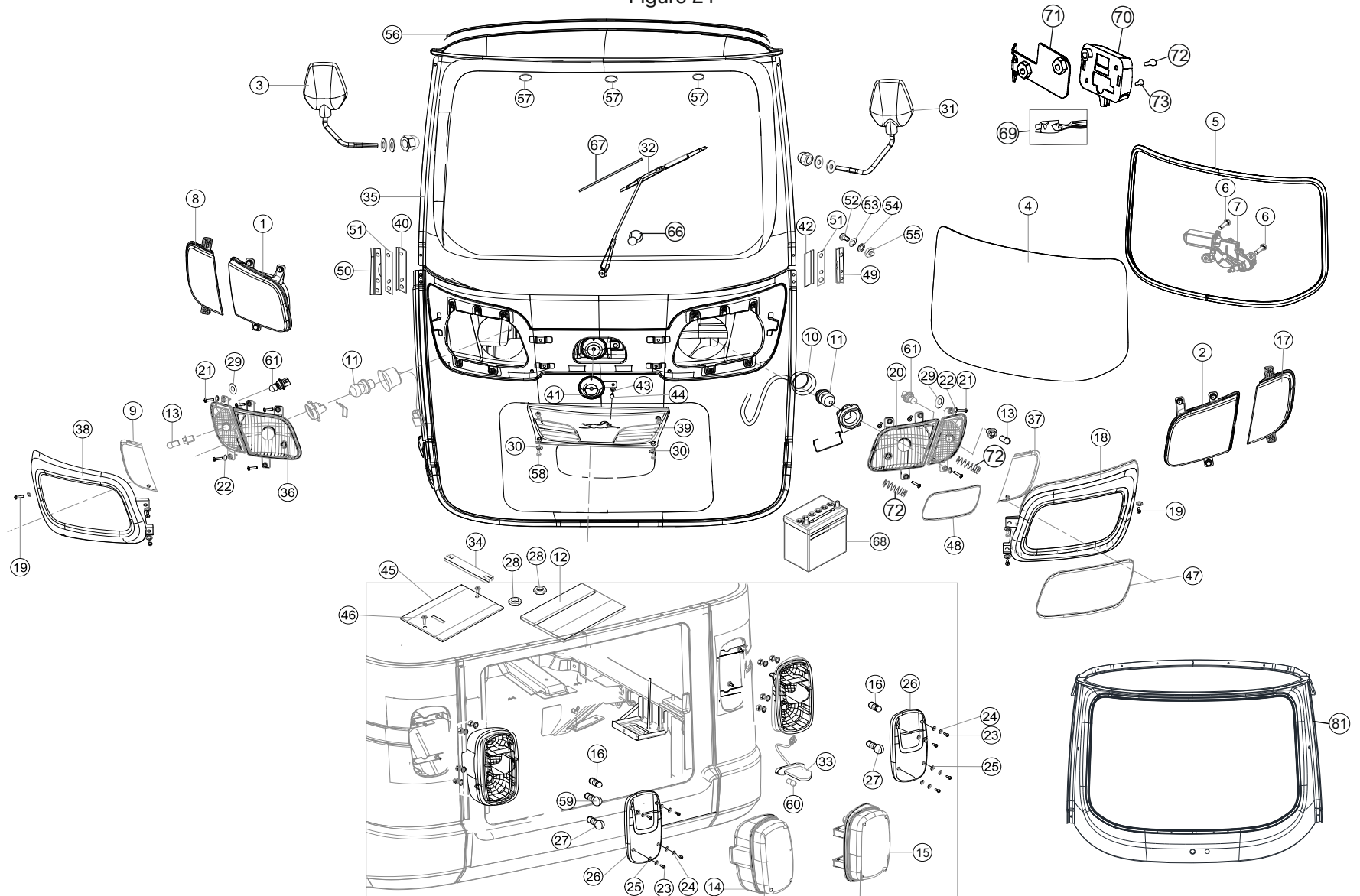
**FIG. NO. 24**
**LIGHTING SYSTEM AND WINDSHIELD ASSEMBLY**

REF NO.	PART NO.	DESCRIPTION	QTY	MODEL **	VARIANT *	REMARKS	REF NO.	PART NO.	DESCRIPTION	QTY	MODEL **	VARIANT *	REMARKS
1	G5160070	Headlamp Assy RH - Old	1	A	A		17A	G4160710	Front Indicator Lamp Assy LH New (Ni)	1	A	A	
1A	G4160970	Headlamp Assy Rh - New (NIL)	1	A	A		18	G51206590D	BEZEL LH COWL FRONT BLACK	1	A	A	
2	G5160060	Head Lamp Assy LH - Old	1	A	A		19	332038	CRPH SCR M5*45*6.8 Bezel	4	A	A	
2A	G4160960	Headlamp Assy Lh - New (NIL)	1	A	A		20	G5160330	Reflector Head Lamp Assy, LH	1	A	A	
3	G5221980	Mirror Assy RH Rear View	1	A	A		21	G5200360	Crr Pan Screw M5 X 20 Indicator Front	4	A	A	
4	G5220140	Glass W/S	1	A	A		22	P1200100	Plain Washer Indicator Front Mtg	4	A	A	
5	G5220150	Beading Glass W/S	1	A	A		23	G5160490	Pan Head Screw RCB Lense	8	A	A	
6	420462700	Hex Screw M6X20 8.8 Wiper Motor Mtg	3	A	A		24	G5160500	Plain Washer M3 RCB Lense	8	A	A	
7	G5160200	Wiper Motor Assy	1	A	A		25	G5160510	Rubber Washer M3 RCB Lense	8	A	A	
8	G5160080	Front Indicator Lamp Assy RH	1	A	A		26	G5160360	Rear Combination Lamp Glass, LH / RH	2	A	A	
8A	G4160720	Front Indicator Lamp Assy RH New (Ni)	1	A	A		26A	G4321830	Rear Combination Lamp Glass, (NIL)	2	A	A	
9	G5160380	Front Indicator Glass RH	1	A	A		27	N3160520	Brake Lamp Bulb 12V 10/5W	2	A	A	
9A	G4322360	Front Indicator Glass RH New (Ni)	1	A	A		28	M1200900	Hex Flange Nut M6 Battery Mtg	2	A	A	
10	G5160350	Holder Headlamp Bulb With Wiring - Old	2	A	A		29	G5160560	Washer, Indicator Lamp Front	4	A	A	
10A	G4161250	Cord Set Headlamp - New (NIL)	2	A	A		30	G5200340	Punched Washer Logo Grill	4	A	A	
11	S1160150	Bulb Headlamp - Old	2	A	A		31	G5221970	Mirror Assy LH Rear View	1	A	A	
11A	M7160190	Halogen Bulb Headlamp - New (NIL)	2	A	A		32	G5160050	Wiper Blade Assy	1	A	A	
12	G5123350	Packing Bottom Battery	1	A	A		33	G5160220	Lamp Assy License Plate	1	A	A	
13	N3160520	Indicator Bulb 10W Front	2	A	A		34	G5123250	Clamp Battery	1	A	A	
14	G5160100	Rear Combination Lamp LH	1	A	A		35	G52226505R	Windshield Assy+Sticker - Golden Yellow	1	A	A	
14A	G4160690	Rear Combination Lamp LH New (Ni)	1	A	A		35A	G52220105R	Windshield Frame - Golden Yellow (NIL)	1	A	A	
15	G5160110	Rear Combination Lamp RH	1	A	A		36	G5160340	Reflector Head Lamp Assy, RH	1	A	A	
15A	G4160700	Rear Combination Lamp RH New (Ni)	1	A	A		37	G5160370	Front Indicator Glass LH	1	A	A	
16	N3160210	Bulb 12V10W Turn Signal Rear	2	A	A		37A	G4322350	Front Indicator Glass LH New (Ni)	1	A	A	
17	G5160090	Front Indicator Lamp LH	1	A	A								

\*\*A-Common 2 &amp; 4 stroke models, 4S -Only 4 stoke ,NS-Not serviceable, ALT/AT-Alternate number

# LIGHTING SYSTEM & WINDSHIELD ASSEMBLY

Figure 24





**FIG. NO. 24**
**LIGHTING SYSTEM AND WINDSHIELD ASSEMBLY**

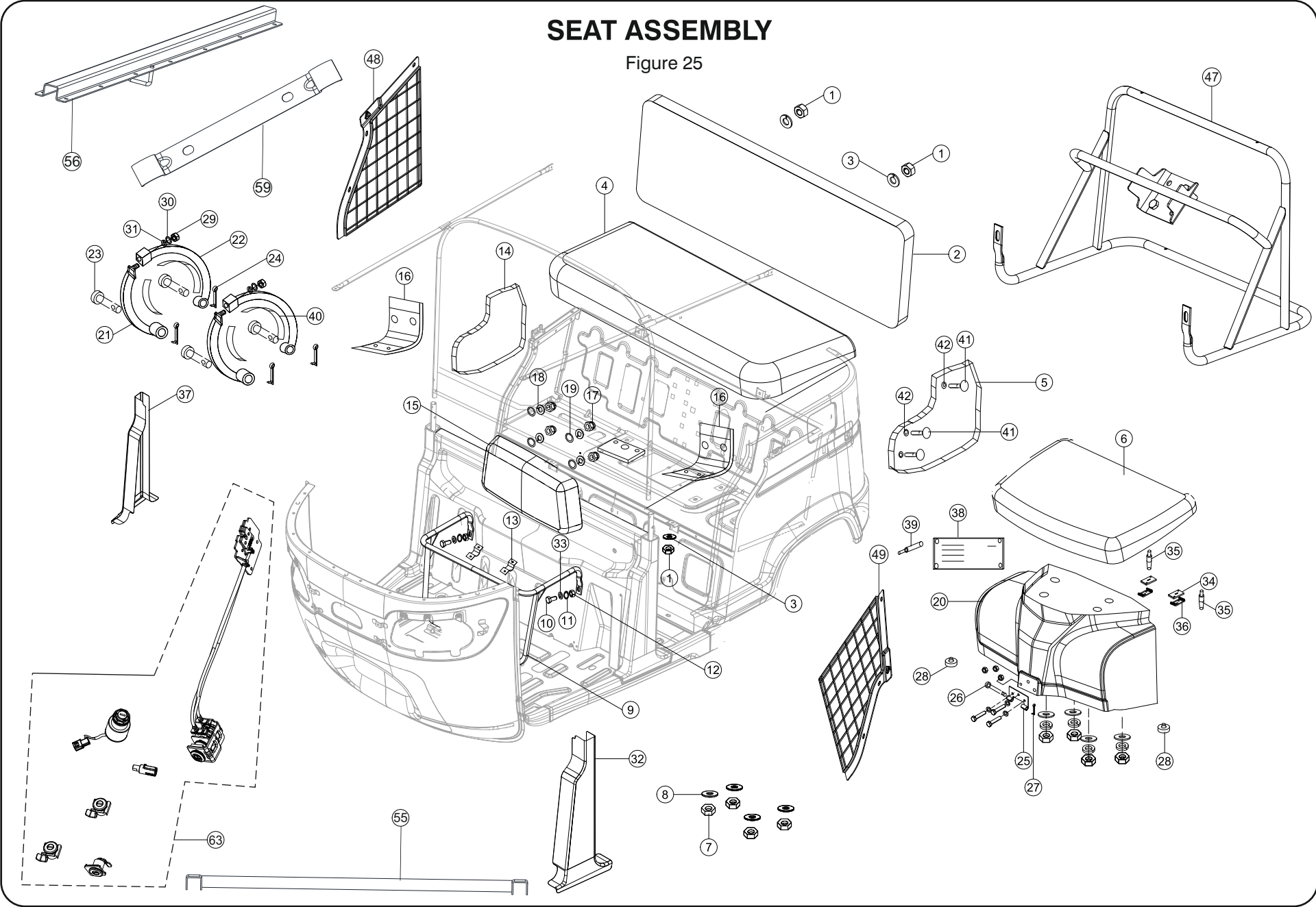
REF NO.	PART NO.	DESCRIPTION	QTY	MODEL **	VARIANT *	REMARKS	REF NO.	PART NO.	DESCRIPTION	QTY	MODEL **	VARIANT *	REMARKS
38	G5120669	BEZEL RH COWL FRONT BLACK	1	A	A	AT-G51206690D	62	G5320620	Mtg Bracket Wiper Motor (Ni)	1	A	A	
39	G5123580	GRILL ASSY BLACK	1	A	A	AT-G51235800D	63	G5320630	Body Assy Wiper Motor (Ni)	1	A	A	
39A	G51235800D	Grill Assy – Black (NIL)	1	A	A	AT-G5222670	64	G5320640	Armature Wiper Motor (Ni)	1	A	A	
40	G5222680	BRKT COWL-WINDSHIELD	1	A	A	ALT-K3160270	65	G5320650	Carbon Brush Wiper Motor (Ni)	1	A	A	
41	G2160040	HORN ASSY	1	A	A		66	G4321350	Grommet Wiper Motor Mounting	1	A	A	
42	G5222670	Brkt LH Cowl Wind Shield Drive Side	1	A	A		67	G5160050	Rubber Blade Wiper	1	A	A	ALT-G5160050
43	P1200050	Wave Spring Washer Horn Mtg	1	A	A		68	-----	Dry Battery Assy (Export Only)	1	A	EXP	NS
44	P1200070	Hex Screw M6X16 8.8 Horn Mtg	1	A	A		69	G4160800	Cord Set cabin Lamp	1	A	A	
45	G5221780	Lid Battery Box	1	A	A		70	G5160460	Engine Bay Lamp	1	A	A	
46	P1200040	Crph Scr M6X16 6 Mtg Lid Battery	2	A	A		71	-----	Bracket Engine Bay Lamp	1	A	A	NS
47	G2160500	Beading Headlamp(Big Outer Side)	2	A	A		72	P200270	Screw Lamp Mtg	2	A	A	
48	G2160460	Sealing Ring Headlamp(Small Inner Side)	2	A	A		73	8200120	Screw Bracket Mtg	2	A	A	
49	G5222670	Brkt Cowl -Windshield LH Front Side	1	A	A		74	G2110780	Spring Lever Parking Brake	4	A	A	
50	-----	Brkt Cowl -Windshield RH Front Side	1	A	A	NS	75	G43000700D	Kit Idol Stand Black	1	A	A	
51	G5222690	Rubber Cushion, Cowl-Ws	2	A	A		76	G53001100D	Idol Stand Black	1	A	A	
52	N2200490	Flange Bolt M6X20 Bkt Cowl Ws	6	A	A		77	G53001200D	Cover Cowl Idol Stand LH	1	A	A	
53	0335578	Punched Washer 6.5X13X1.0 Zng	6	A	A		78	G53001300D	Cover Cowl Idol Stand RH	1	A	A	
54	0330408	Wave Spring Washer M6 Zng	6	A	A		79	G5300140	Bracket Idol Stand LH	2	A	A	
55	G5200220	Domed Cap Nut	6	A	A		80	G5300150	Bracket Idol Stand RH	2	A	A	
56	G5230480	Edge Trim A Pillar	1	A	A		81	G8223260	MIRROR ASSY Lh	1	A	P/L/C	
57	G5230450	Grommet Dia 10 Wind Shield	3	A	A		82	G8223270	MIRROR ASSY Rh	1	A	P/L/C	
58	-----	Crr Pan Head Screw Logo Grill Mtg	4	A	A	NS							
59	N3160520	BULB RC LAMP	1	A	A								
60	G5160390	License Plate Bulb	1	A	A								
61	K3160520	Bulb Position Lamp (Parking)	2	A	A	ALT-K3160520							

\*\*A-Common 2 &amp; 4 stroke models, 4S -Only 4 stroke ,NS-Not serviceable, ALT/AT-Alternate number

\* A - All Variants, P - Petrol ES, L - LPG, C - CNG, LSM - LPG Single Mode, EXP - Export Only

# SEAT ASSEMBLY

Figure 25





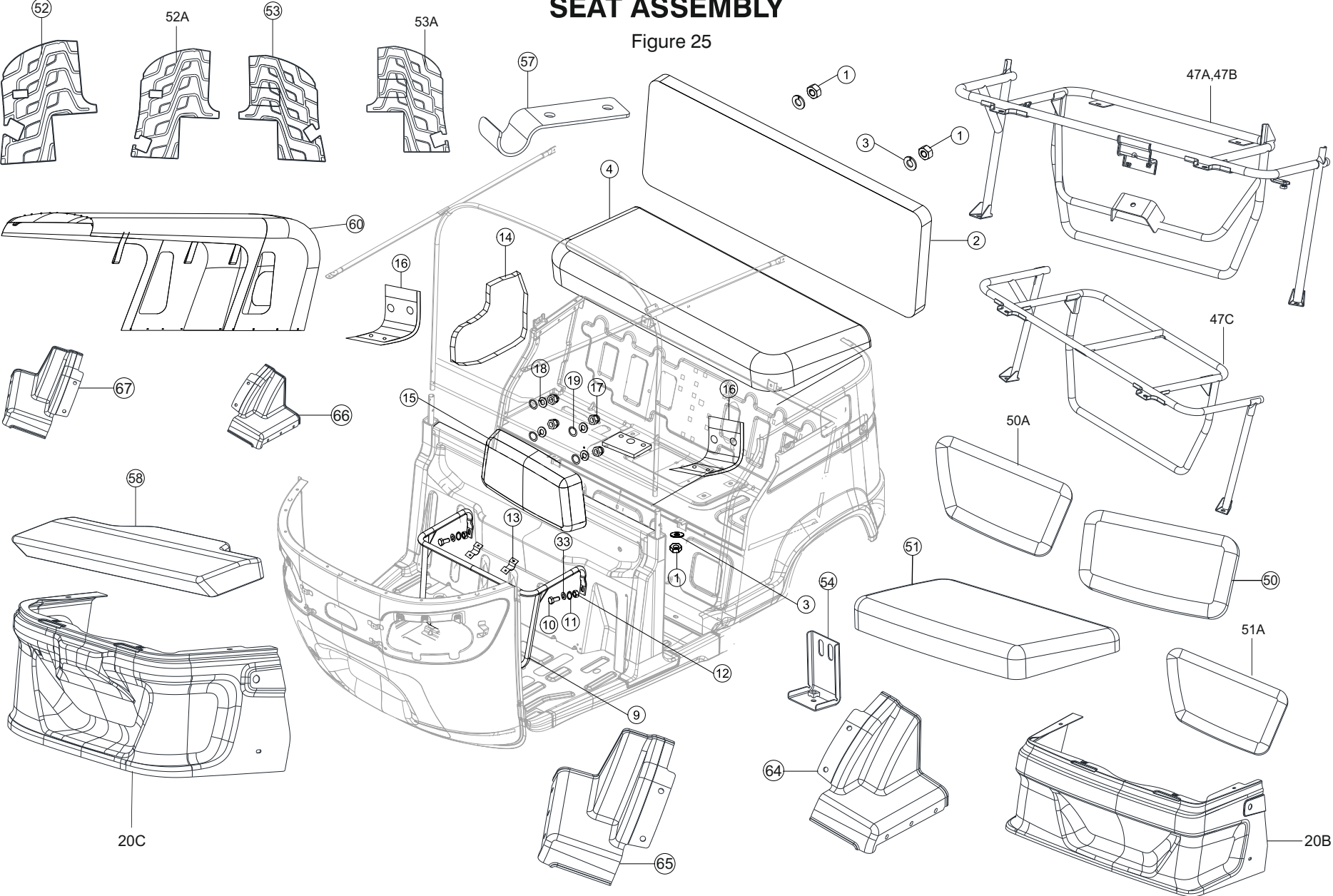
**FIG. NO. 25**
**SEAT ASSEMBLY**

REF NO.	PART NO.	DESCRIPTION	QTY	MODEL **	VARIANT *	REMARKS	REF NO.	PART NO.	DESCRIPTION	QTY	MODEL **	VARIANT *	REMARKS
1	P1200060	Hex Nut M6 Zng Passenger Seat Mtg	5	A	A		22	G5122960	Strap Rear LPG	2	A	L	
2	G31304400D	Backrest Assy Passenger Black	1	A	A		22A	G5122880	Strap Rear CNG (Ni)	2	A	C	
3	P1200050	Wave Spring Washer M6 Zng	5	A	A		23	G5200090	Pin 10 X 50 Strap LPG Tank New	4	A	L	CNG/LPG
4	G51300200D	Seat Assy Passenger Black	1	A	A		23A	G5200080	Pin 10 X 95 Strap CNG Tank Mtg old	4	A	C	
5	G52210390D	Side Cover L Passenger Seat Black	1	A	A	ALT-G5221039	24	0330028	Split Pin	1	A	L/C	
6	G4130040	Seat Base Assy Driver Black	1	A	P		25	G5122220	Hinge Cover LPG/CNG	1	A	L/C	
6A	G4130050	Seat Base Assy Driver Black (NIL)	1	A	L/C		26	G5200100	Pin 10 X 120 Hinge Cover LPG/CNG	1	A	L/C	
7	G5200320	Hex Nut M5 Driver Seat Base	4	A	A	ALT-420302700	27	0330028	Split Pin Mtg Cover LPG/CNG	1	A	L/C	
8	N3200120	Punched Washer 6.5X13X1.0	4	A	A		28	G5222050	Cushion Cover LPG/CNG	3	A	L/C	
9	G5230630	Frame Comp Seat Driver New	1	A	P		29	G5200410	Hex Nut M10 X 1.5	2	A	L/C	ALT-K200160
10	G5200380	Hex Screw M8X 20 Driver Seat Frame Mtg	2	A	P		30	G5200310	Punched Washer 10.5 X18X1.6	2	A	L/C	CNG/LPG
11	G5200280	Punched Washer Driver Seat Frame Mtg	2	A	P		31	G5110200	Spring Washer A10	2	A	L/C	ALT-0330328
12	G5200330	Hex Nut M8 Driver Seat Frame Mtg	2	A	P		32	G5120149	Panel LH B Pillar	1	A	A	
13	G3130280	Clamp Driver Seat Mtg	2	A	P	ALT-G4220130	33	G5110210	Wave Spring Washer M8 Driver	2	A	A	ALT-0330318
14	G52210490D	Side Cover R Passenger Seat Black	1	A	A	ALT-G5221049	34	G5123660	Grommet Cover LPG/CNG	2	A	L/C	
15	G4300200	Backrest Driver Black	1	A	A		35	G5123670	Guide Cover LPG/CNG (Pin Locator Seat)	2	A	L/C	
16	G5222779	Seat Base Middle Reinforcement	2	A	A		36	G5222750	Support Brkt Cover-CNG/LPG	2	A	L/C	
17	G5200220	Domed Nut M6 Driver Back Rest	4	A	A		37	G5120169	Panel RH B Pillar	1	A	A	
18	P1200050	Wave Spring Washer M6 Zng Driver Back	4	A	A		38	G5210020	Compliance Plate CNG	1	A	L	ISG
19	N3200120	Punched Washer Driver Back Rest Mtg	4	A	A		38A	G5210010	Compliance Plate LPG (Ni)	1	A	C	LPG
20	G52214500D	Cover CNG /LPG Black	1	A	L/C		39	G5200160	Rivet Compliance Plate	4	A	L/C	CNG/LPG
20A	G5222850	Cover CNG 33 ltr (Ni)	1	A	C		40	G5123180	Rubber Ring Cylinder CNG	2	A	C	CNG/LPG
20B	G4223220	COVER PETROL	1	A	p		40A	G5123170	Rubber Ring Cylinder LPG (Ni)	2	A	L	
20C	G4224440	UTILITY COVER BELOW SEAT	1	A	P		41	0331708	Crph Scr M5X12 6 Passenger Side Panel	6	A	A	
21	G5122950	Strap Front LPG	2	A	L		42	0335558	Plain Washer M5 Passenger Side P Mtg	6	A	A	
21A	G5122870	Strap Front CNG (Ni)	2	A	C		43	G5124480	Cyl Strap MTG BRKT Assy (33LTR) (Ni)	2	4S	C	CNG
21B	G4120490	Strap Front LPG / CNG (Ni) New	2	A	L/C	LPG	44	G5124500	Cyl Strap Mtg Brkt Assy Rr (33LTR) (Ni)	2	4S	C	CNG

\*\*A-Common 2 &amp; 4 stroke models, 4S -Only 4 stroke ,NS-Not serviceable, ALT/AT-Alternate number

# SEAT ASSEMBLY

Figure 25



**FIG. NO. 25**
**SEAT ASSEMBLY**

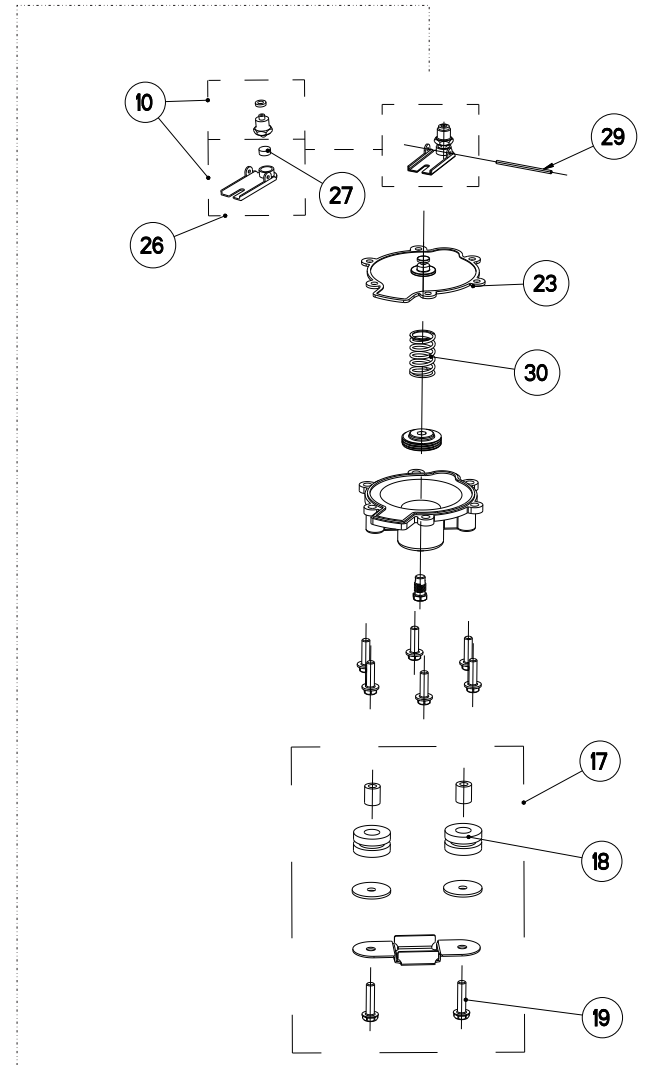
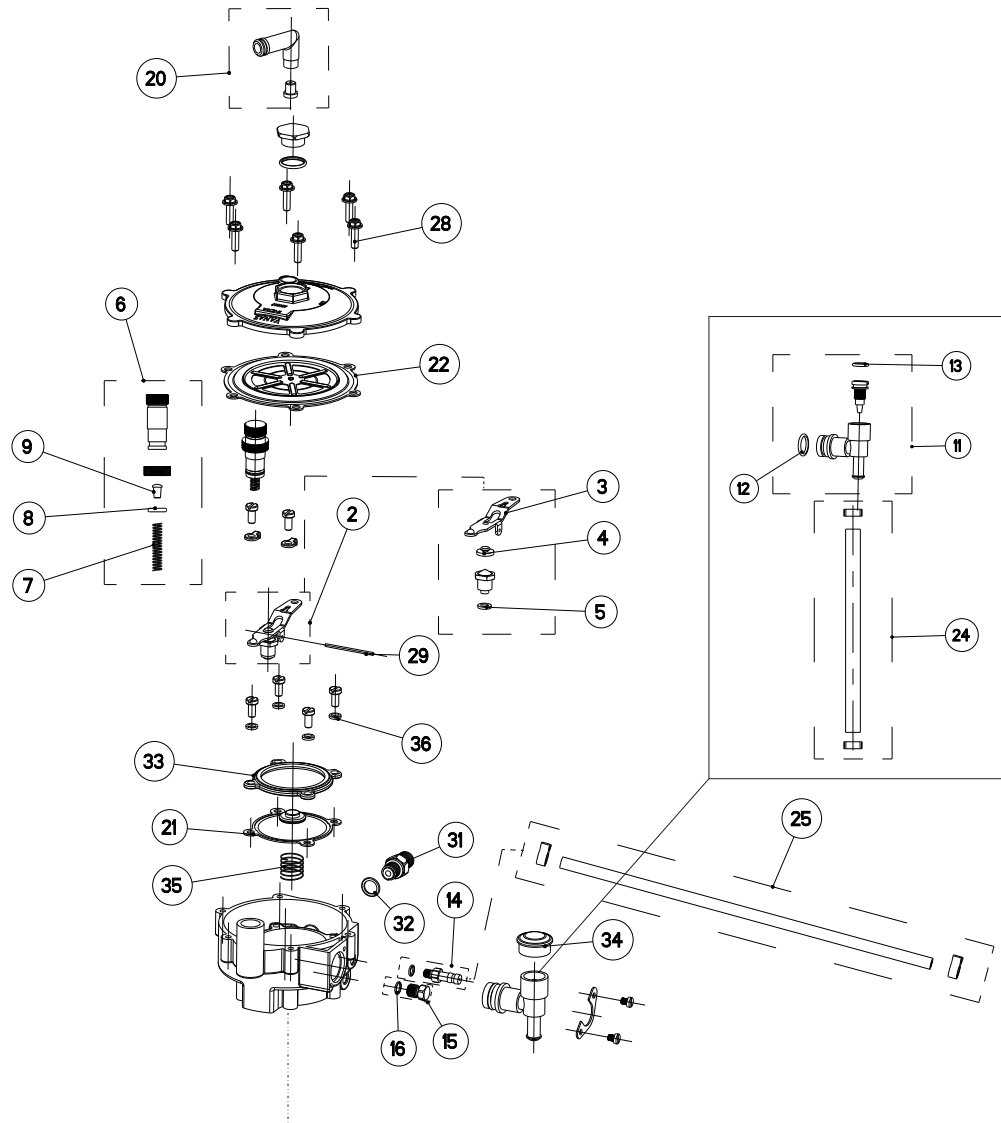
REF NO.	PART NO.	DESCRIPTION	QTY	MODEL**	VARIANT*	REMARKS	REF NO.	PART NO.	DESCRIPTION	QTY	MODEL**	VARIANT*	REMARKS
45	K200160	HEX NUT M10 8 ZNG (Ni)	2	4S	C		65	G4220790	SPLASH GUARD FRONT R	1	A	P/L/C	
46	0330328	Wave Spring Washer M10 (Ni)	2	4S	C		66	G4220800	SPLASH GUARD REAR L	1	A	P/L/C	
47	G5230100	FRAME COMP SEAT DRIVER	1	A	A		67	G4220810	SPLASH GUARD REAR R	1	A	P/L/C	
47A	G4223330	FRAME SEAT DRIVER PETROL	1	A	P	P/L/C							
47B	G4224420	FRAME SEAT DRIVER ASSY PETROL	1	A	P								
47C	G4223340	FRAME SEAT DRIVER LPG CNG	1	A	L/C								
48	G4223140	COVER PASSENGER Lh	1	A	A	I/C/L							
49	G4223150	COVER PASSENGER Rh	1	A	A	I/C/L							
50	G4130320	SEAT BASE DRIVER Lh	1	A	p	P/L/C							
50A	G4130480	SEAT BASE DRIVER AC Lh	1	A	P								
51	G4130330	SEAT BASE DRIVER Rh	1	A	p	P/L/C							
51A	G4130490	SEAT BASE DRIVER AC Rh	1	A	P								
52	G4302740	FLOOR MAT DRIVER Lh	1	A	p	P/L/C							
52A	G4304150	FLOOR MAT PETROL Lh	1	A	P								
53	G4302750	FLOOR MAT DRIVER Rh	1	A	p	P/L/C							
53A	G4304160	FLOOR MAT PETROL Rh	1	A	P								
54	G4223520	BRKT COVER FRAME BOT Lh	2	A	P								
55	G4223700	FRAME SEAT DRIVER CENTRE	1	A	P								
56	G4223310	BRKT SEAT HOOK DRIVER MTG	1	A	P/L/C								
57	G4223390	BRKT SEAT HOOK BIG	4	A	P/L/C								
58	G4130420	BACKREST DRIVER ASSY	1	A	P/L/C								
59	G4223590	BACKREST MTG BRKT	2	A	P/L/C								
60	G42242003D	KIT CANVAS SIDE WINDOW RIK BLACK	1	A	P/L/C								
61	G42242008L	KIT CANVAS SIDE WINDOW ECO (NIL)	1	A	P/L/C								
62	G42242007F	KIT CANVAS SIDE WINDOW (NIL)	1	A	P/L/C								
63	G4210960	LOCK SET PETROL	1	A	P								
64	G4220780	SPLASH GUARD FRONT L	1	A	P/L/C								

\*\*A-Common 2 &amp; 4 stroke models, 4S -Only 4 stoke ,NS-Not serviceable, ALT/AT-Alternate number

\* A - All Variants, P - Petrol ES, L - LPG, C - CNG, LSM - LPG Single Mode, EXP - Export Only

# REDUCER SYSTEM LPG ( 15 & 20 LTR) / CNG (4S) (VANAZ)

Figure 26



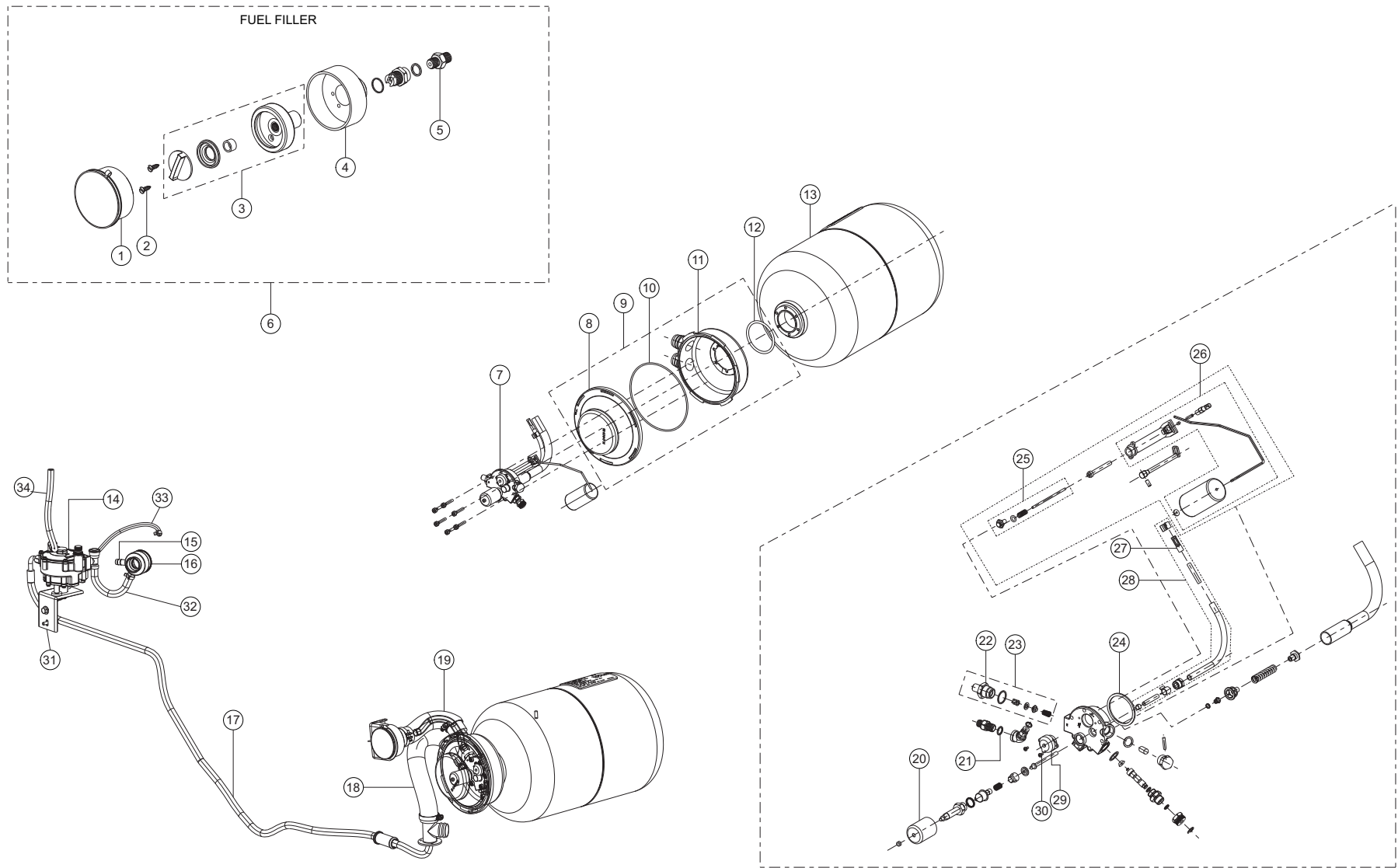
**FIG. NO. 26**
**REDUCER SYSTEM LPG (15 & 20 LTR) / CNG (4S) (VANAZ)**

REF NO.	PART NO.	DESCRIPTION	QTY	MODEL**	VARIANT*	REMARKS	REF NO.	PART NO.	DESCRIPTION	QTY	MODEL**	VARIANT*	REMARKS
1	G5142010	Pressure Reducer LPG 4S(V) BSIII	1	4S	L		18	G4321470	Damper(V)	2	4S	L/C	
1A	G5142030	Pressure Reducer LPG 2S (V)NIL	1	2S	L		19	G5321300	Screw LPG 4S(V)	2	4S	L/C	
1B	G4140950	Pressure Reducer LPG BSIV NIL	1	4S	L		20	G4320990	Kit Breather(V)	1	4S	L/C	
1C	G4140930	Second Stage Reducer CNG 4S BSIV	1	4S	C		21	G4321090	Kit Vacuum Diaphragm(V)	1	4S	L	
1D	G4140100	Second Stage Reducer CNG 4S BSIII	1	4S	C		22	G4321060	Kit Secondary Diaphragm(V)	1	4S	L/C	
2	G4321330	Kit Reducer(V)	1	4S	L/C		23	G4321190	Kit Diaphragm(V)	1	4S	L/C	
3	----	Lever Assy LPG	1	4S	L/C	NS	24	G4140570	Input Hose LPG	1	4S	L	
4	----	Pad Lever LPG	1	4S	L/C	NS	24A	G4140820	Input Hose CNG BSIV 175mm	1	4S	C	
5	G4321420	O Ring 11.50 1.60(V)	1	4S	L/C		24B	G5142060	Input Hose CNG BSIII 170 mm	1	4S	C	
6	G4321040	Kit Idle Screw(V)	1	4S	L/C		24C	G4140390	HOSE ASSEMBLY,	1	4S	C	ALT-G5140540
7	G5321280	Spring(V)	1	4S	L/C		25	G5142080	Hose Vacuum LPG 4S	1	4S	L	
8	G4321430	O Ring 13.00 2.00(V)	1	4S	L/C		26	----	Pin LPG NO2	1	4S	L/C	NS
9	G5321290	Retainer Spring (V)	1	4S	L/C		27	G4321480	Pad (V)	1	4S	L/C	
10	G4321070	Kit Primary Reducer(V)	1	4S	L/C		28	G4321460	Flange Screw(V)	12	4S	L/C	
11	G4321030	Kit Flow Control Body(V)	1	4S	L		29	G4322000	Pin For Rocker Lever LPG (V)	2	4S	L/C	
11A	----	Kit Flow Control Body(V)	1	4S	C	NS	30	G4321140	Spring Reducer(V)	1	4S	L/C	
12	G4321460	O Ring 19.00 1.80(V)	1	4S	L/C		31	G4321180	Connector Inlet(V)	1	4S	L/C	
13	G4321440	O Ring 14.50 1.50(V)	1	4S	L/C		32	G4320980	Copper Washer 6.2 13.0 1.2(V)	1	4S	L/C	
14	G4321050	Kit Nozzle Body(V)	1	4S	L		33	G4320960	Clamping Ring	1	4S	L	
15	G4321010	Kit Drain Plug(V)	1	4S	L/C		34	G4320940	Cap (V)	1	4S	L/C	
16	G4321410	O Ring 9.50 2.00(V)	1	4S	L/C		35	G4321130	Spring(V)	1	4S	L	
17	G4321080	Kit Reducer(V)	1	4S	L/C		36	----	Washer 18.00 1.5	1	4S	L	NS

\*\*A-Common 2 &amp; 4 stroke models, 4S -Only 4 stoke ,NS-Not serviceable, ALT/AT-Alternate number

# LPG FUEL SYSTEM 15 & 20 LTR (4S) (VANAZ)

Figure 27



**FIG. NO. 27**
**LPG FUEL SYSTEM (15 & 20 LTR) (4S) (VANAZ)**

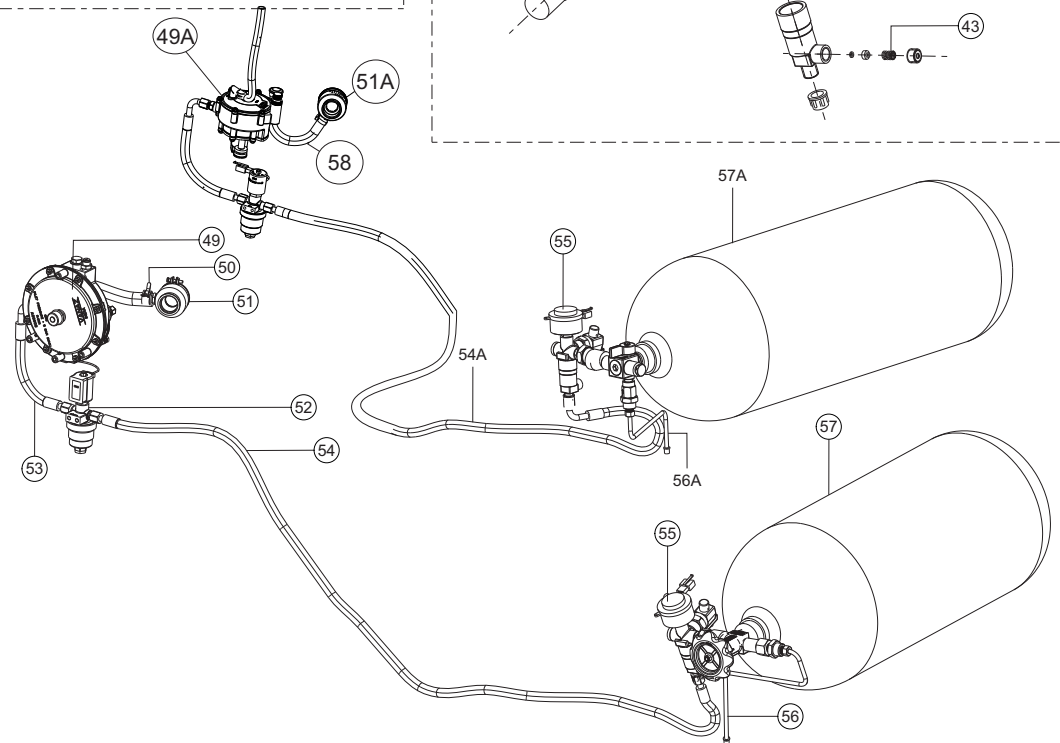
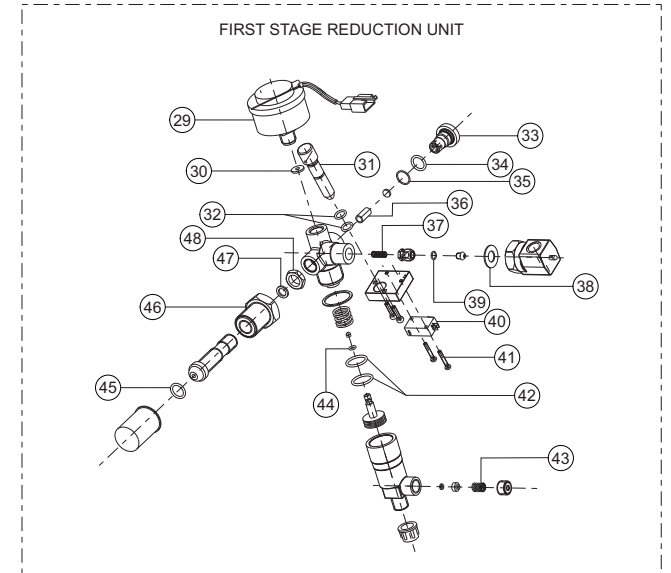
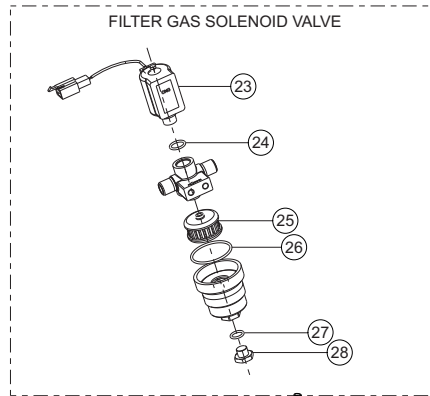
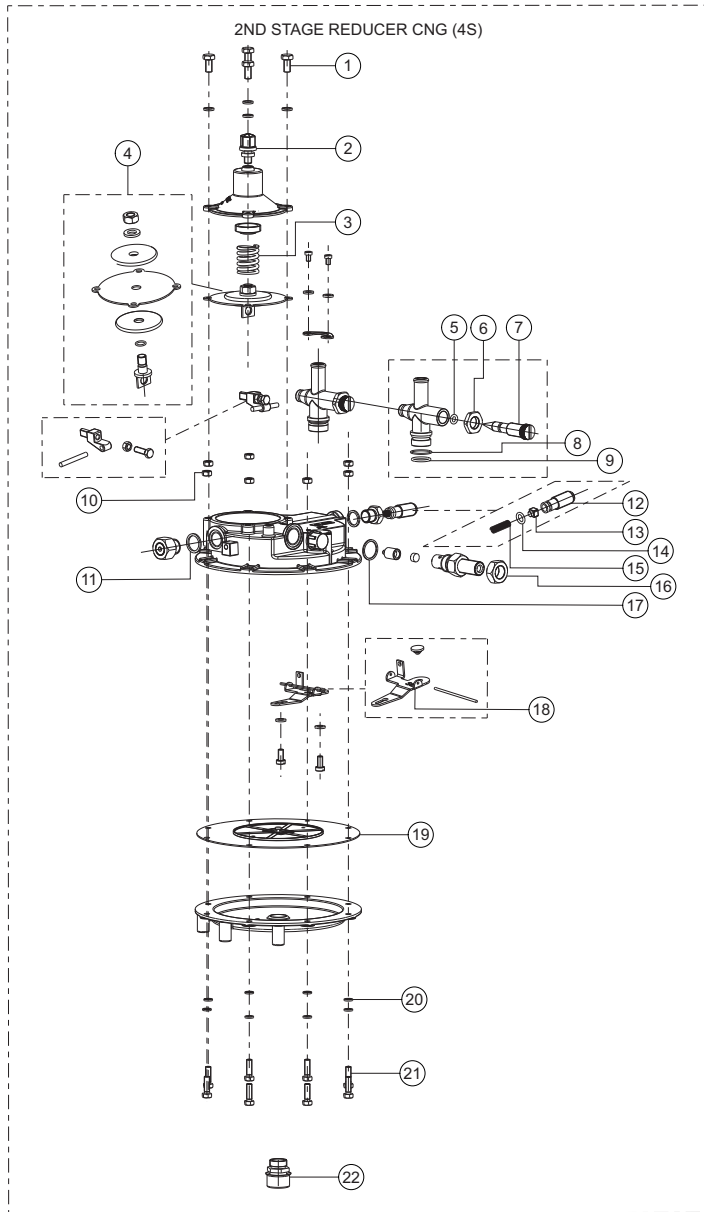
REF NO.	PART NO.	DESCRIPTION	QTY	MODEL **	VARIANT *	REMARKS	REF NO.	PART NO.	DESCRIPTION	QTY	MODEL **	VARIANT *	REMARKS
1	G4320900	Upper Case	1	4S	L		19A	G4140430	Flexible Hose Assy 1 BSIV HP	1	4S	L	
2	G4200120	Self Tapping Screw(M5X15L)	2	4S	L		20	G4160530	Solenoid Valve	1	4S	L	
3	G4320920	Filler Connector With Cap	1	4S	L		21	G4320980	Washer	1	4S	L	
4	G4320910	Lower Case	1	4S	L		22	G4321180	Inlet Connector	1	4S	L	
5	G4320930	Connector Filler Valve	1	4S	L		23	----	NRV & Inlet Connector Sub Assy	1	4S	L	NS
6	G4140180	Fuel Filler Assy	1	4S	L		24	G4321500	Rubber Multifunction Valve	1	4S	L	
7	G4140340	Multi Function Valve	1	4S	L		25	----	Retainer Sub Assy	1	4S	L	NS
8	G4321300	Upper Case	1	4S	L		26	----	Float Rod Sub Assy	1	4S	L	NS
9	G4140350	Vapour Box Assy	1	4S	L		27	----	Filter	1	4S	L	NS
10	G4321220	O Ring	1	4S	L		28	----	Dip Tube Sub Assy	1	4S	L	NS
11	G4321700	Lower Case	1	4S	L		29	G4160540	Content Gauge	1	4S	L	
12	G4321230	O Ring	1	4S	L		30	G4321170	Philips Head Screw	1	4S	L	
13	G4140330	LPG Cylinder 20 Ltr	1	4S	L		31	G4120340	Bracket LPG / CNG Reducer Mtg BSIV	1	4S	L/C	
13A	G5140080	LPG Cylinder 15 Ltr (Ni)	1	4S	L		32	G4140570	Input Hose LPG BSIII	1	4S	L	
14	G5142010	LPG Reducer 4S BSIII RP	1	4S	L		32A	G4140070	Input Hose LPG BSIV 135 mm (NI)	1	4S	L	
14A	G4140950	LPG Reducer 4S BSIV HP (Ni)	1	4S	L		33	G5142080	Hose Vacuum LPG	1	4S	L	
15	----	Nozzle	1	4S	L	NS	34	R2040140	Breather Hose PCV	1	4S	L	
16	G4140380	Mixer Body BSIII	1	4S	L		35	G5161140	Wiring Solenoid LPG	1	4S	L	
16A	G4041350	Mixer Body BSIV	1	4S	L		36	G5321450	Cord Set Resister (V)	1	4S	L	
17	G4140400	Flexible Hose Assy 2	1	4S	L								
18	G4140420	Hose Reducer Flexible BSIII RP	1	4S	L								
18A	G5142070	Hose Reducer Flexible BSIV HP	1	4S	L								
19	G4140410	Flexible Hose Assy 1 BSIII RP	1	4S	L								

\*\*A-Common 2 &amp; 4 stroke models, 4S -Only 4 stoke ,NS-Not serviceable, ALT/AT-Alternate number



# CNG FUEL SYSTEM 28 & 33 LTR (4S)

Figure 28





**FIG. NO. 28**
**CNG FUEL SYSTEM 28 & 33 LTR (4S)**

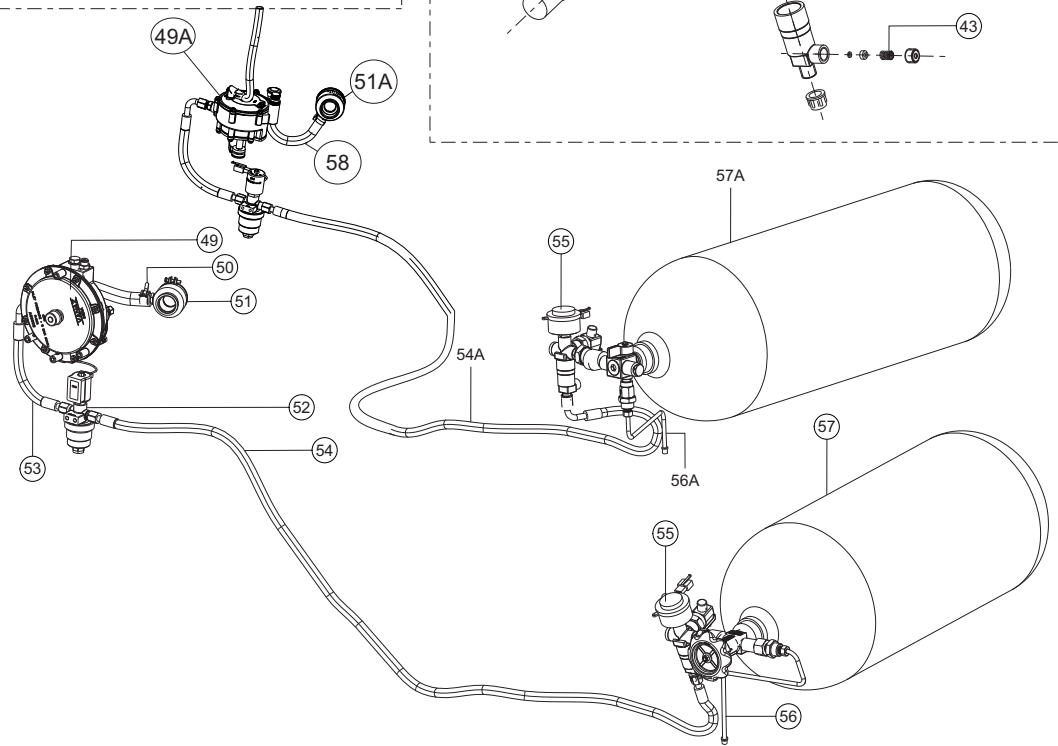
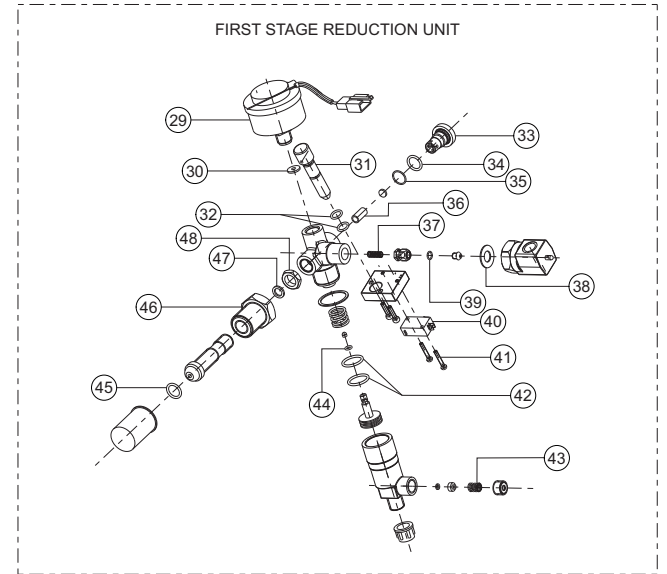
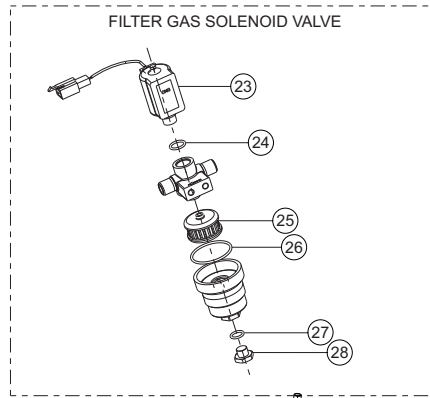
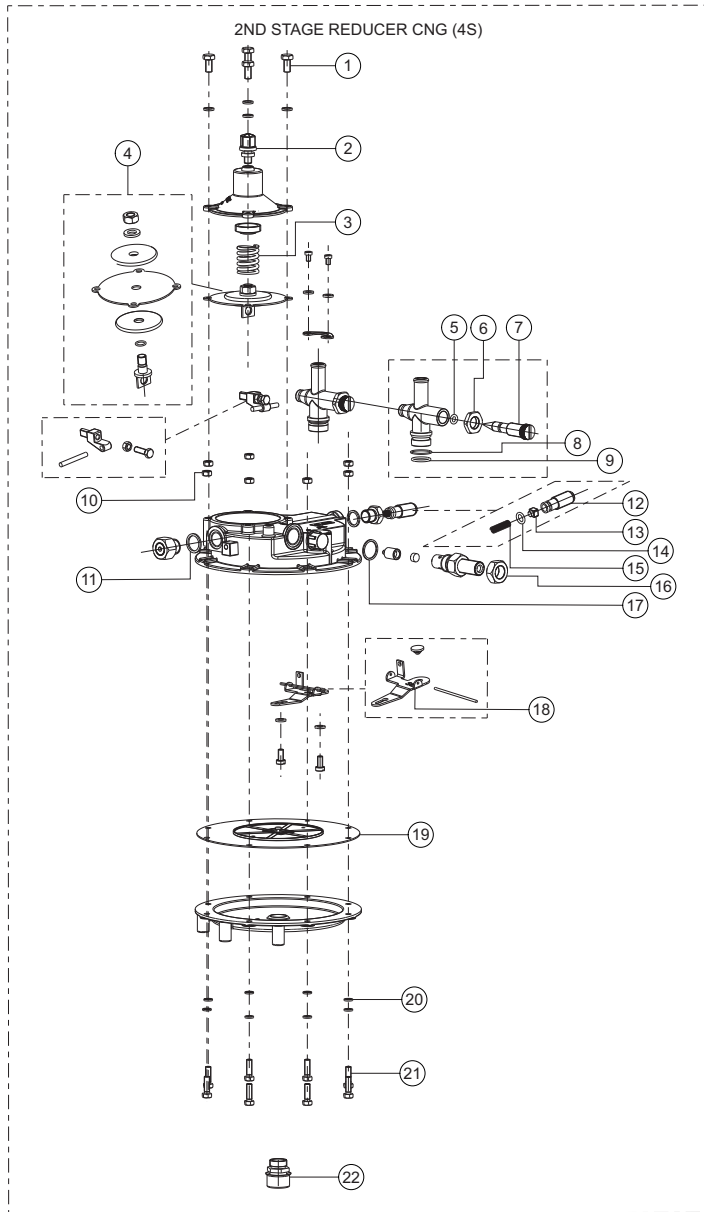
REF NO.	PART NO.	DESCRIPTION	QTY	MODEL **	VARIANT *	REMARKS	REF NO.	PART NO.	DESCRIPTION	QTY	MODEL **	VARIANT *	REMARKS
1	G5141530	Hex Screw M6X12	4	4S	C		26	G5141800	O Ring Bowl Cng Solenoid (V)	1	4S	C	
2	G5141590	Breather Assy-1	1	4S	C		27	G5140780	O Ring Drain Plug Solenoid (V)	1	4S	C	
3	G5141430	Spring 2nd Stage Diaphragm (V)	1	4S	C		28	G5141770	Drain Bolt Solenoid Filter (V)	1	4S	C	
4	G5141300	Small Diaphragm 2nd Stage (V)	1	4S	C		29	G5141270	Pressure Gauge With Sensor (V)	1	4S	C	
5	G5321170	O Ring Flow Adjusting Screw (V)	1	4S	C		30	G5141050	Copper Washer Mtg Pressure Gauge (V)	1	4S	C	
6	G5141510	Lock Nut Flow Adjusting Screw (V)	1	4S	C		31	G5141150	Dust Plug (V)	1	4S	C	
7	G5320990	Flow Adjusting Screw (V)	1	4S	C		32	G5141130	O Ring Filler Dust Plug (V)	2	4S	C	
8	G5141480	O Ring Outlet Tube Joint (V)	1	4S	C		33	G5321180	Retainer First Reducer (V)	1	4S	C	
9	G5141470	O Ring Outlet Tube Stem (V)	1	4S	C		34	G5141240	O Ring Cap Brass Filter Tube (V)	1	4S	C	
10	G5141350	Nut M5 Reducer Cover Mtg (V)	8	4S	C		35	G5141220	Nylon Washer (V)	1	4S	C	
11	G5141400	Washer (V)	1	4S	C		36	G5320970	Filter First Reducer (V)	1	4S	C	
12	G5320980	Retainer Spring (V)	1	4S	C		37	G5141180	Spring Filler Valve Retainer (V)	1	4S	C	
13	G5320940	Lock Nut Idling Screw (V)	1	4S	C		38	G5141160	Sealing Washer (V)	1	4S	C	
14	G5141450	O Ring Idling Screw (V)	1	4S	C		39	G5141170	O Ring Filler Valve Retainer Joint (V)	1	4S	C	
15	G5321000	Spring Second Reducer (V)	1	4S	C		40	G5141200	Micro Switch (V)	1	4S	C	
16	G5141540	Lock Nut Inlet Tube (V)	1	4S	C		41	G5141210	Philips Head Screw M3X20 (V)	2	4S	C	
17	G5141440	Copper Washer Inlet Cng (V)	1	4S	C		42	G5141120	O Ring Cylinder Piston (V)	2	4S	C	
18	G5141370	Lever 1st Stage Diaphragm (V)	1	4S	C		43	G5141110	Spring Relief Valve (V)	1	4S	C	
19	G5141290	Diaphragm Sub Assy 1st Stage (V)	1	4S	C		44	G5141100	O-RING 8.00 2.00(V)	1	4S	C	ALT-G4321390
20	G5141330	Spring Washer M5 Reducer Cover Mtg	8	4S	C		45	G5141090	O Ring Connector (V)	1	4S	C	
21	G5141340	Hex Screw M5X16 Reducer Cover Mtg (V)	8	4S	C		46	G5141080	Coupling Screw (V)	1	4S	C	
22	G5141600	Breather Assy-2	1	4S	C		47	G5141060	Copper Washer Mtg Connector (V)	1	4S	C	
23	G4321740	1st Stage Cover Mini Rid, Reducer Lp (V)	1	4S	C		48	G5141070	Lock Nut (V)	1	4S	C	
24	G5141820	O Ring Plunger (V)	1	4S	C								
25	G5141790	Paper Filter Solenoid Cng (V)	1	4S	C								

\*\*A-Common 2 &amp; 4 stroke models, 4S -Only 4 stroke ,NS-Not serviceable, ALT/AT-Alternate number

\* A - All Variants, P - Petrol ES, L - LPG, C - CNG, LSM - LPG Single Mode, EXP - Export Only

# CNG FUEL SYSTEM 28 & 33 LTR (4S)

Figure 28



**FIG. NO. 28**
**CNG FUEL SYSTEM 28 & 33 LTR (4S)**

REF NO.	PART NO.	DESCRIPTION	QTY	MODEL **	VARIANT *	REMARKS	REF NO.	PART NO.	DESCRIPTION	QTY	MODEL **	VARIANT *	REMARKS
49	G4140100	2nd Stage CNG Reducer BSIII	1	4S	C								
49A	G4140930	2nd Stage CNG Reducer BSIV	1	4S	C								
50	G5141630	Clip For Low Pressure Hose	1	4S	C								
51	G4040610	Mixer Body CNG BSIII	1	4S	C								
51A	G4041350	Mixer Body BSIV	1	4S	L								
52	G5140500	Filter Gas Solenoid Valve	1	4S	C								
53	G5140530	Flexible Hose Assy 2 (245 Mm) (V)	1	4S	C								
54	G4140580	Flexible Hose Assy 1(1400 Mm) (V) 28 Ltr	1	4S	C								
54A	G4140560	Flexible Hose Assy 1(1530 Mm) (V) 33 Ltr	1	4S	C								
55	G5140450	First Stage Reduction Unit	1	4S	C								
56	G5140600	Tube Vent CNG (V) 28 Ltr	1	4S	C								
56A	G4140480	Tube Vent CNG (V) 33 Ltr	1	4S	C								
57	G5141980	Cylinder Assy CNG (28 Ltr)	1	4S	C								
57A	G4140530	Cylinder Assy CNG (33 Ltr)	1	4S	C								
58	G4140820	Input Hose CNG BSIV 175mm	1	4S	C								
58A	G5142060	Input Hose CNG BSIII 170 mm	1	4S	C								
58B	G4140390	HOSE ASSEMBLY,(NIL)	1	4S	C	ALT-G5140540							
59	G4160200	4S Wiring Harness CNG Cylinder	1	4S	C								

\*\*A-Common 2 &amp; 4 stroke models, 4S -Only 4 stroke ,NS-Not serviceable, ALT/AT-Alternate number

\* A - All Variants, P - Petrol ES, L - LPG, C - CNG, LSM - LPG Single Mode, EXP - Export Only



TVS MOTOR COMPANY **TVS** 

TVS Motor Company Limited. P.B. No.4, Harita, Hosur - 635 109 Tamil Nadu, India. Tel: +91(4344) 276780.  
Website: [www.tvsmotor.com/ib/home](http://www.tvsmotor.com/ib/home)